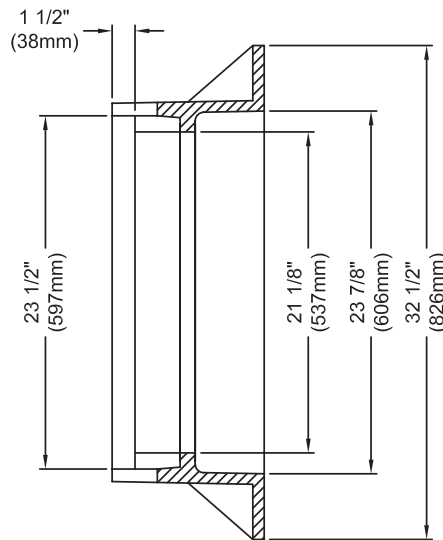
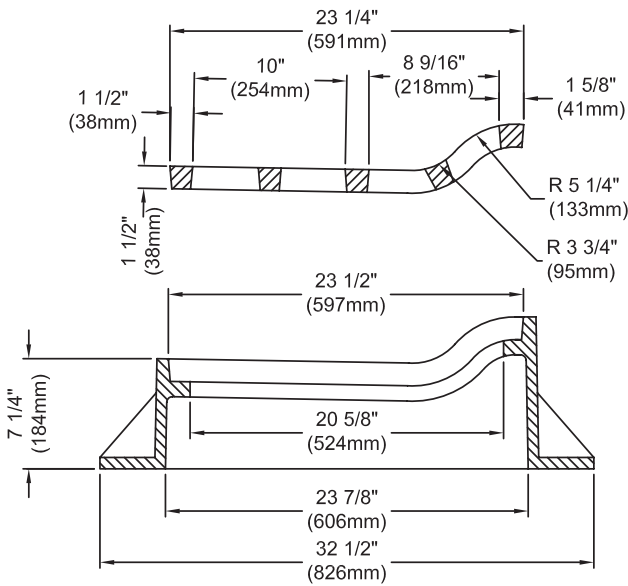
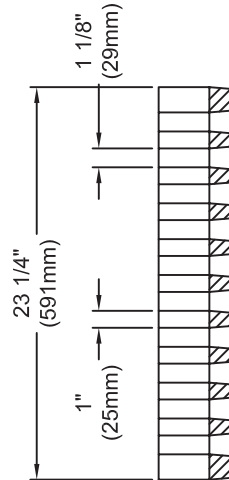
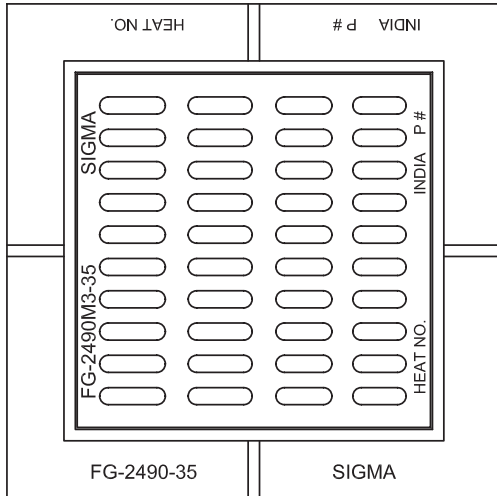


Curb Inlets

Municipal
Construction

FG-2490M3-35

CAST-IRON



Shipping Weight: 405 lbs.
Cast Iron ASTM A48 / Class 35B

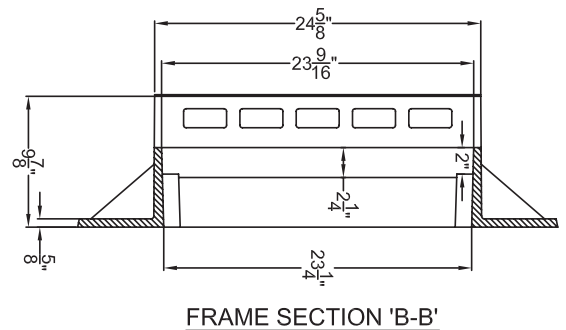
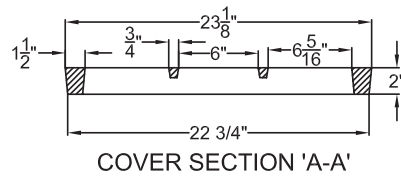
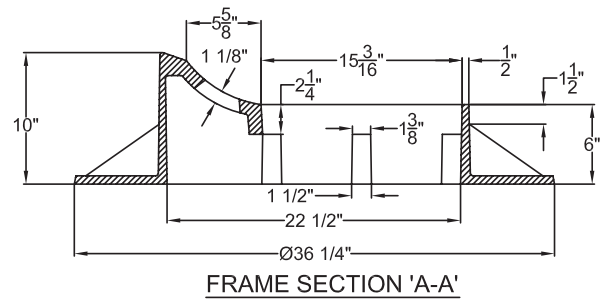
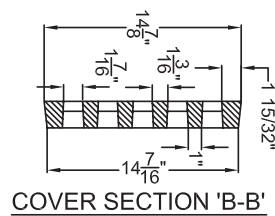
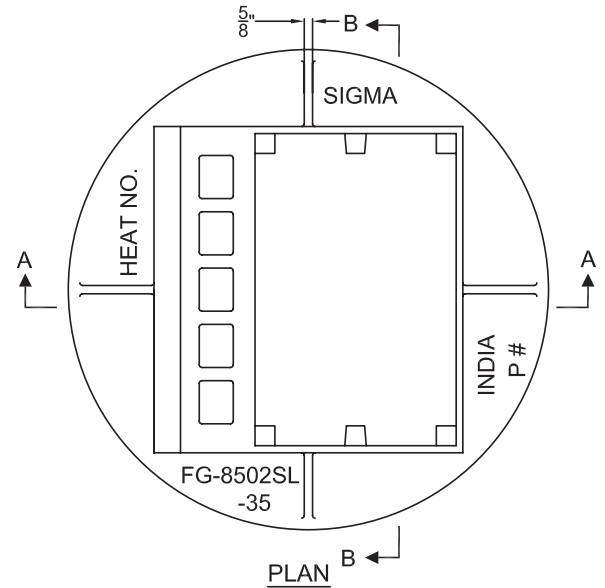
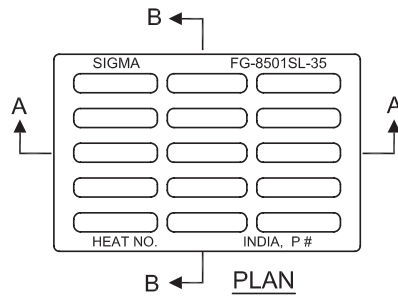


Municipal
Construction

Curb Inlets

C
A
S
T
I
R
O
N
S
I
G
N

FG-850SL-35



Cast Iron ASTM A48 / Class 35B

Shipping Weights:
FG8501SL-35 - 98 lbs.
FG8502SL-35 - 278 lbs.