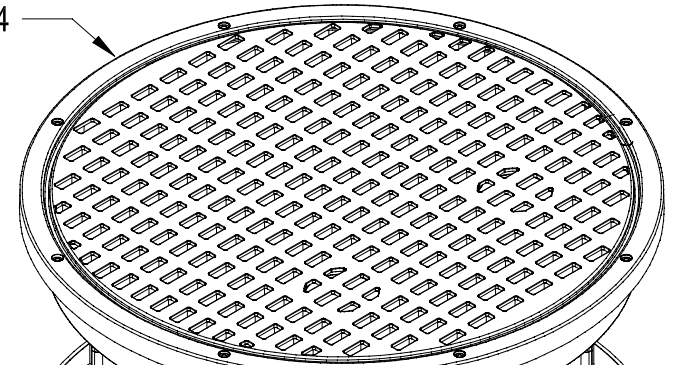
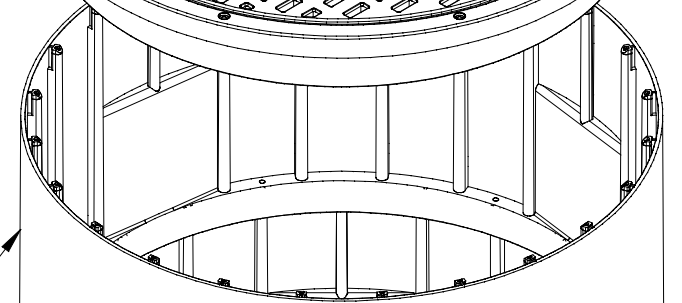


SECTION A-A

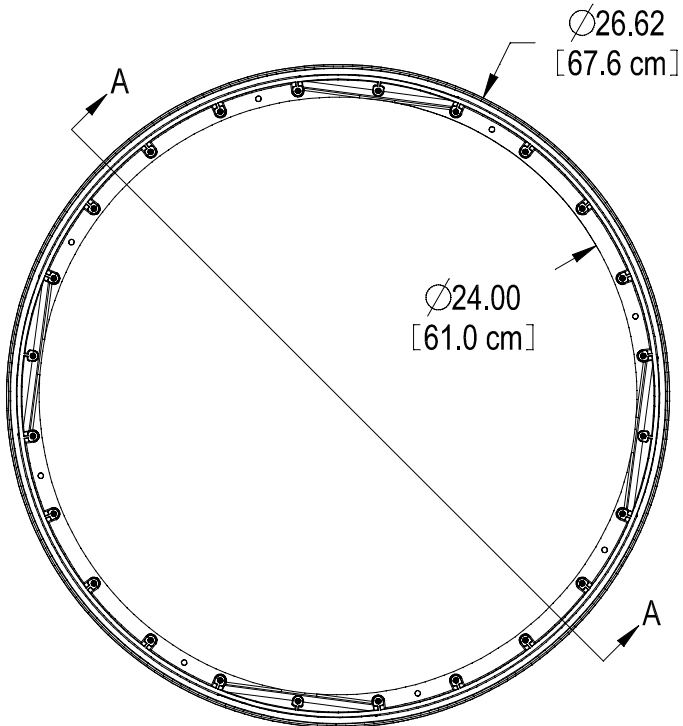
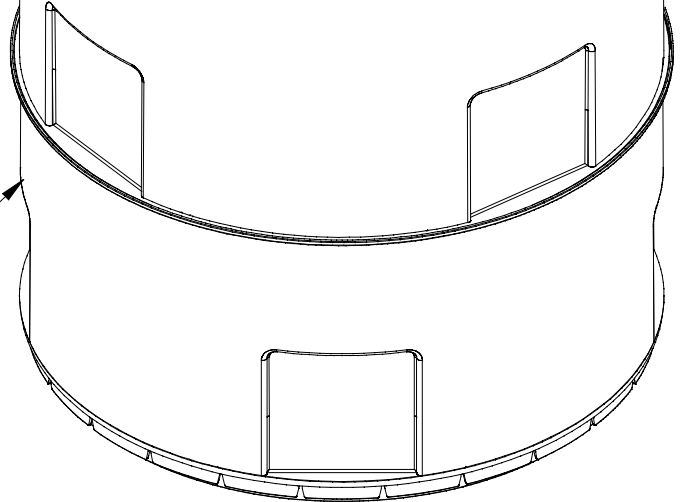
PART NO. 3008-G24
24" GRATE



PART NO. 3008-R12F
24" RISER



PART NO. 3008-R12B
24" BASIN



POLYLOK DRAIN BASIN
PART NO 3008-DB
TOTAL VOLUME - 50 GALLONS [189.25 LITERS]



Quality - Service - Commitment - Delivered.