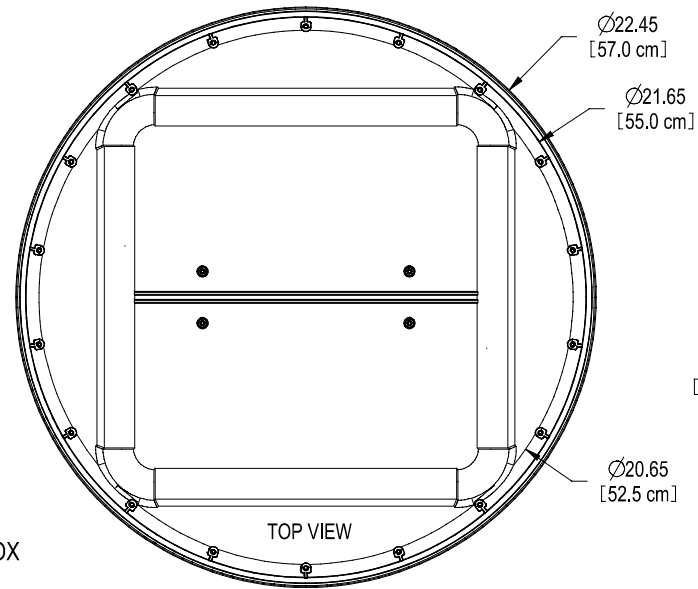
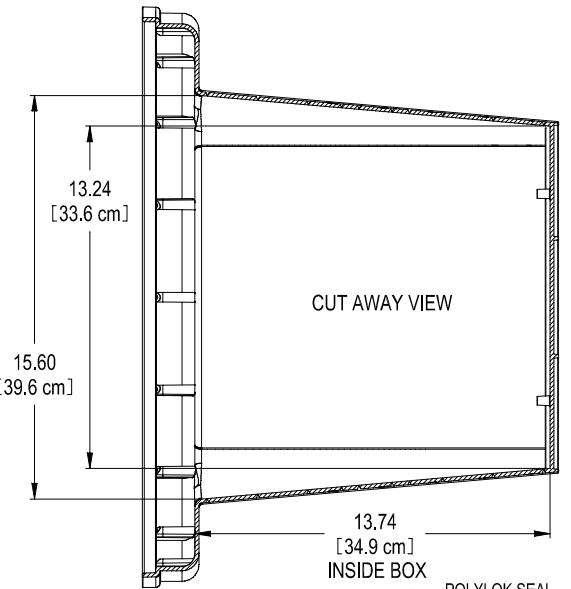


BOTTOM VIEW



TOP VIEW

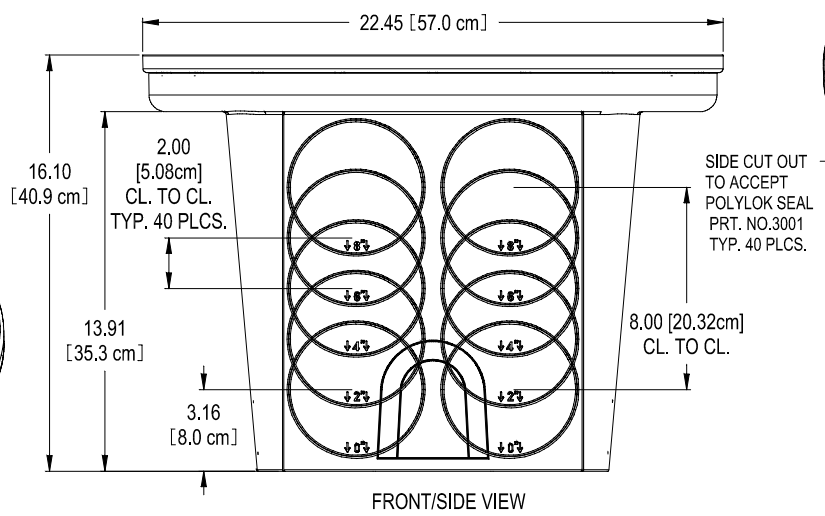
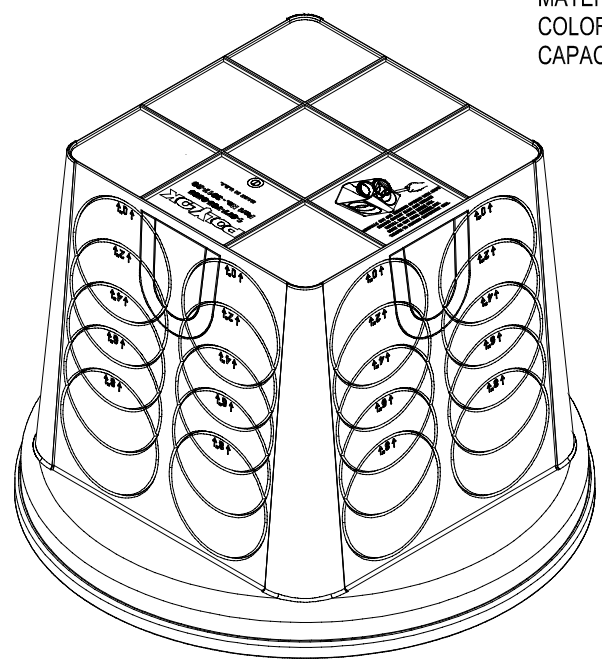


CUT AWAY VIEW

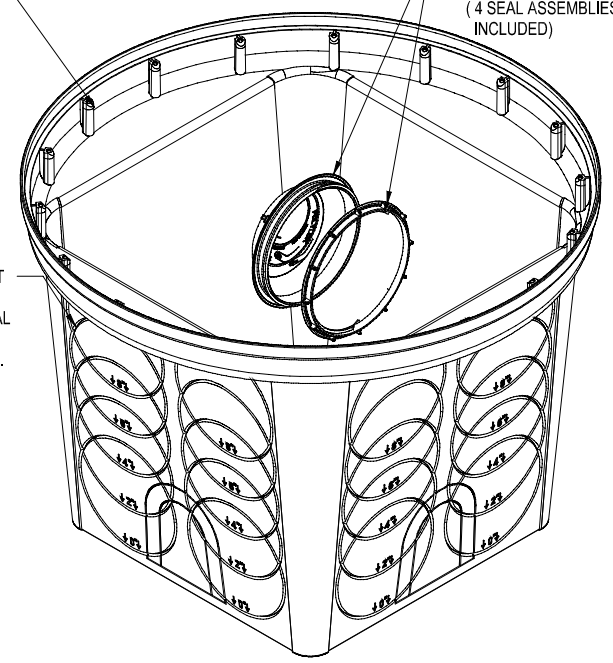
POLYLOK 20" D-BOX
PART NO. 3017-20
MATERIAL - POLYPROPYLENE
COLOR - BLACK
CAPACITY - 15 GALLONS

BOX ACCEPTS:
 LIGHT COVER PART NO. - 3009C
 HEAVY COVER PART NO. -3017-C20
 GRATE- PART NO. -3017-G20
 6" TALL RISER PART NO. 3009
 12" TALL RISER PART NO. 3009-R12

POLYLOK SEAL
 ASSEMBLY
 PART NO. 3001
 (4 SEAL ASSEMBLIES
 INCLUDED)



FRONT/SIDE VIEW



SIDE CUT OUT
 TO ACCEPT
 POLYLOK SEAL
 PRT. NO.3001
 TYP. 40 PLCS.