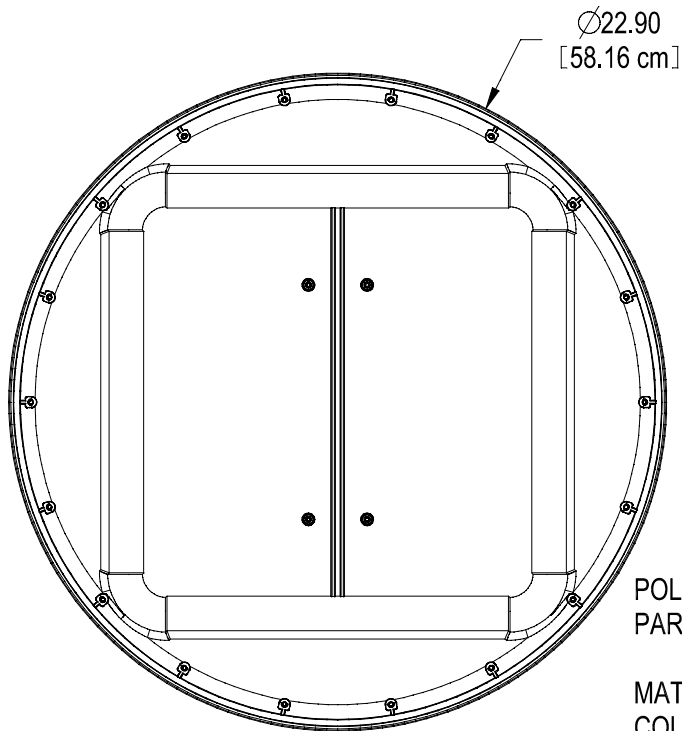


BOX ACCEPTS:
 LIGHT COVER PART NO. - 3009C
 HEAVY COVER PART NO.-3017-C20
 GRATE- PART NO.-3017-G20
 6" TALL RISER PART NO. 3009
 12" TALL RISER PART NO. 3009-R12

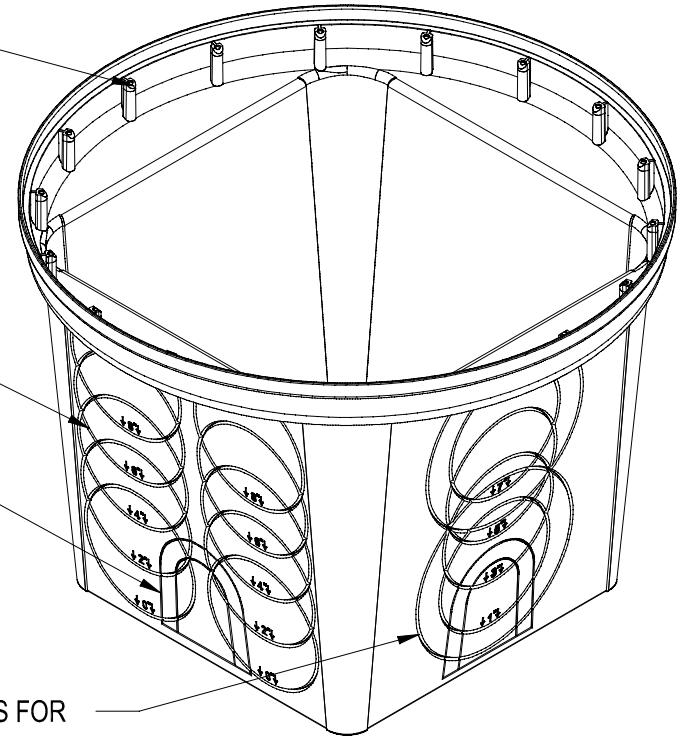


POLYLOK 6 & 7 HOLE 20" D-BOX
 PART NO. 3017-206 - 6 HOLE
 3017-207 - 7 HOLE
 MATERIAL - POLYPROPYLENE
 COLOR - BLACK

CUT OUTS FOR
 4" PIPE (4 SIDES)
 FOR USE WITH
 PART # 3001

CUT OUTS FOR
 VALVE / METER BOX
 CONVERSION

CUT OUTS FOR
 6" PIPE
 2 SIDES- 6 HOLE
 1 SIDE - 7 HOLE
 FOR USE WITH
 PART # 3001-6



SIGMA™

Quality – Service – Commitment – Delivered.