

# **Σ SIGMA**

## **Piping Products**

Quality – Service – Commitment – Delivered.

# Welded



**SIGMA Corporation**

Houston, TX  
Alexander City, AL  
Ontario, CA  
Auburn, WA  
Millbury, MA

281-987-1200  
800-999-0109  
spp-sales@sigmaco.com

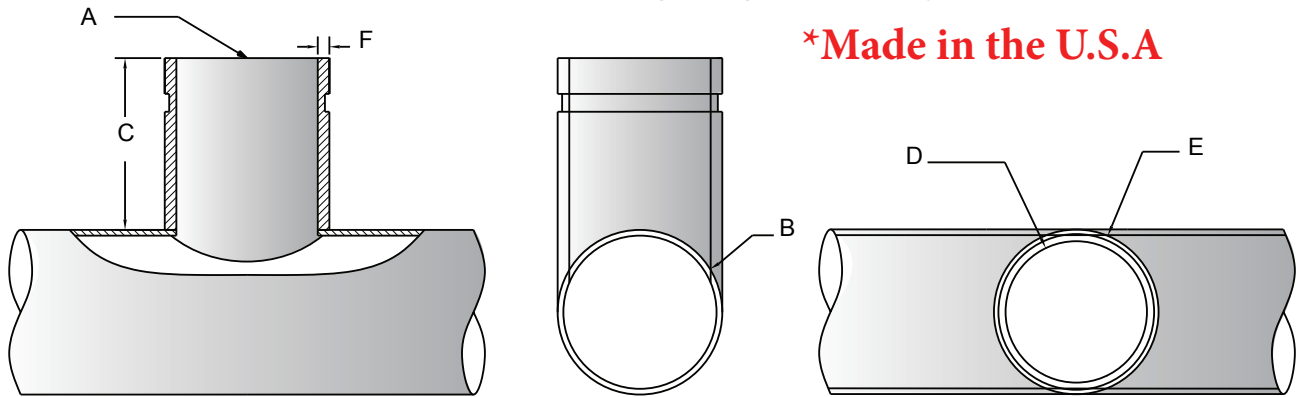
[www.sigmapipingproductsusa.com](http://www.sigmapipingproductsusa.com)

Welded

# Grooved Welding Outlet

## Description Roll Groove

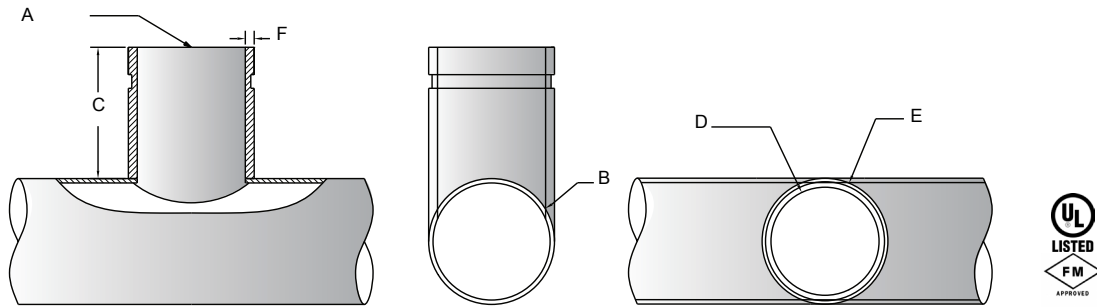
- **MATERIALS:** Highly Weldable grade black carbon steel equal to or exceeding the requirements of the American Society for Testing and Materials Specifications A - 135,A-795,A-53.
- **U.L. / U.L.C. / F.M. WORKING PRESSURE:** Schedule 40 Cut Groove / up to 500 CWP in PSI Schedule 40 Roll Groove up to 300 CWP in PSI Pressures have been established using listed and/or approved couplings and fittings of equal or higher ratings. Hydrostatic test of 2:1 for maximum working pressure and 5:1 for strength of body. (4:1 for 8").
- **QUALITY ASSURANCE AND INSPECTION:** Dimensional integrity is assured with accurate machining, stringent quality control procedures, and sound fabrication techniques. Grooves, threads and bevels are constantly checked for proper alignment and concentricity, uniform depth, taper and degree, as applicable, conforming to established industry standards.
- **MARKING:** For identification, each fitting bears the name "ISLAND" or registered trademark, along with appropriate figure number and end preparation designation. In addition, the nominal outlet and header size in inches, and ◀FM▶ indicating listing and approval with recognized testing laboratories.
- **DESIGN:** Welded outlets are designed to provide unobstructed full flow. This is accomplished by making the inside diameter of the low weld volume machine coWntour precisely fit the outside diameter of the adjoining pipe/header to be welded. The full penetration weld is made forming a smooth passageway to prevent catching or clogging of foreign matter. Therefore, no special allowances are necessary when utilizing computer hydraulic flow calculations. Type 40 & 10 weld outlets are manufactured in a wide range of header sizes. Each fitting is manufactured "size on size". This means the outlet fits exactly on the header to which it is welded, so it is ideal for use with automatic welding machines.
- **FINISH:** Fittings are cleaned to bare metal internally and externally and protected with a smokeless rust inhibitor giving a lasting finish to extend shelf life.
- **PACKAGING:** For convenience in warehouse handling, storage, and inventory control, Schedule 40 and 10 fittings



NOM SIZE A X B	ITEM CODE	STANDARD LENGTH C	INSIDE DIAMETER D	OUTSIDE DIAMETER E	WALL THICKNESS F	ITEM WT.
2.5" X 2.5"	UL0117	3	2.635	2.875	0.120	1.00
2.5" X 3"	UL0118	3	2.635	2.875	0.120	1.00
2.5" X 4"	UL0119	3	2.635	2.875	0.120	1.00
2.5" X 6"	UL0120	3	2.635	2.875	0.120	1.00
2.5" X 8"	UL0121	3	2.635	2.875	0.120	1.00
3" X 3"	UL0122	4	3.260	3.500	0.120	1.20
3" X 4"	UL0123	4	3.260	3.500	0.120	1.20
3" X 6"	UL0124	4	3.260	3.500	0.120	1.20
3" X 8"	UL0125	4	3.260	3.500	0.120	1.20
4" X 4"	UL0126	4	4.260	4.500	0.120	2.10
4" X 6"	UL0127	4	4.260	4.500	0.120	2.10
4" X 8"	UL0128	4	4.260	4.500	0.120	2.10
6" X 6"	UL0129	4	6.357	6.625	0.134	3.80
6" X 8"	UL0130	4	6.357	6.625	0.134	3.80
8" X 8"	UL0131	4	8.329	8.625	0.188	6.20

# Groove Welding Outlet

Description  
Cut Groove



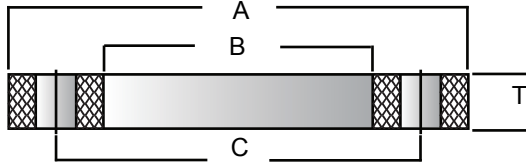
NOM SIZE A X B	ITEM CODE	STANDARD LENGTH C	INSIDE DIAMETER D	OUTSIDE DIAMETER E	WALL THICKNESS F	ITEM WT.
1.25" X 1.25"	UL0201	3	1.368	1.660	0.140	0.56
1.25" X 1.5"	UL0202	3	1.368	1.660	0.140	0.56
1.25" X 2"	UL0203	3	1.368	1.660	0.140	0.56
1.25" X 2.5"	UL0203A	3	1.368	1.660	0.140	0.56
1.25" X 3"	UL0204	3	1.368	1.660	0.140	0.56
1.25" X 4"	UL0204A	3	1.368	1.900	0.145	0.70
1.25" X 5"	UL0205	3	1.368	1.900	0.145	0.70
1.25" X 6"	UL0205A	3	1.368	1.900	0.145	0.70
1.25" X 8"	UL0205C	3	1.368	1.900	0.145	0.70
1.5" X 1.5"	UL0206	3	1.610	1.900	0.145	0.70
1.5" X 2"	UL0207	3	1.610	2.375	0.154	0.90
1.5" X 2.5"	UL0208	3	1.610	2.375	0.154	0.90
1.5" X 3"	UL0209	3	1.610	2.375	0.154	0.90
1.5" X 4"	UL0209A	3	1.610	2.375	0.154	0.90
1.5" X 5"	UL0210	3	1.610	2.375	0.154	0.90
1.5" X 6"	UL0210A	3	1.610	2.375	0.154	0.90
2" X 2"	UL0211	3	2.067	2.375	0.154	0.90
2" X 2.5"	UL0212	3	2.067	2.375	0.154	0.90
2" X 3"	UL0213	3	2.067	2.875	0.203	1.40
2" X 4"	UL0214	3	2.067	2.875	0.203	1.40
2" X 6"	UL0215	3	2.067	2.875	0.203	1.40
2" X 8"	UL0216	3	2.067	2.875	0.203	1.40
2.5" X 2.5"	UL0217	3	2.469	2.875	0.203	1.40
2.5" X 3"	UL0218	3	2.469	3.500	0.216	2.10
2.5" X 4"	UL0219	3	2.469	3.500	0.216	2.10
2.5" X 6"	UL0220	3	2.469	3.500	0.216	2.10
2.5" X 8"	UL0221	3	2.469	3.500	0.216	2.10
3" X 3"	UL0222	3	3.068	4.500	0.237	3.40
3" X 4"	UL0223	3	3.068	4.500	0.237	3.40
3" X 6"	UL0224	3	3.068	4.500	0.237	3.40
3" X 8"	UL0225	3	3.068	6.625	0.280	7.00
4" X 4"	UL0226	4	4.026	6.625	0.280	7.00
4" X 6"	UL0227	4	4.026	8.625	0.277	10.40
4" X 8"	UL0228	4	4.026			
6" X 6"	UL0229	4	6.065			
6" X 8"	UL0230	4	6.065			
8" X 8"	UL0231	4	7.981			

# Steel Plate Flanges

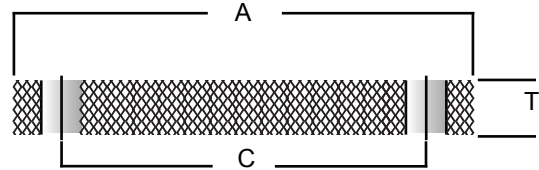
- Bolts shall be smaller in diameter than the normal bolt hole diameter.
- Pressure rating at atmospheric temperature for sizes 2" - 12" is 175 psi.
- These flanges have the same diameter and drilling as class 125 Cast Iron flanges (ANSI B16.1).

- Minimum bolt lengths shall be the sum of the mating flange maximum thicknesses, the gasket, and the depth of the nut plus 1/8" (3.2mm) minimum before torquing. If threaded rods are used, they shall be the same length as the bolts determined previously, plus the depth of the nuts. Flanges conform to AWWA C207.

## Description Slip-on & Reducing



## Description Blind



NOM SIZE	ITEM CODE	OUTSIDE DIAMETER A	INSIDE DIAMETER B	BOLT CIRCLE C	THICKNESS T	NUMBER OF BOLTS REQUIRED	BOLT HOLE DIAMETER	ITEM WT.
<b>SLIP-ON</b>								
2"	1FLS0909	6	3	4.75	0.5	4	0.75	4.2
2 1/2"	1FLS1010	7	3	5.5	0.5	4	0.75	5.6
3"	1FLS1111	7.5	3.6	6	0.5	4	0.75	6.3
4"	1FLS1212	9	4.6	7.5	0.625	8	0.75	8.5
6"	1FLS1414	11	6.7	9.5	0.688	8	0.875	10.9
8"	1FLS1515	13.5	8.7	11.75	0.688	8	0.875	15.6
10"	1FLS1616	16	11	14.25	0.812	12	1	20
12"	1FLS1717	19	13	17	0.938	12	1	33.1
<b>REDUCING</b>								
2 1/2 X 2	1FLR1009	7	2.4	5.5	0.5	4	0.75	5.6
3 X 2	1FLR1109	7.5	2.4	6	0.5	4	0.75	6.3
3 X 2 1/2	1FLR1110	7.5	3.0	6	0.5	4	0.75	6.3
4 X 2	1FLR1209	9	2.4	7.5	0.625	8	0.75	8.5
4 X 2 1/2	1FLR1210	9	3.0	7.5	0.625	8	0.75	8.5
4 X 3	1FLR1211	9	3.6	7.5	0.625	8	0.75	8.5
6 X 2	1FLR1409	11	2.4	9.5	0.688	8	0.875	10.9
6 X 2 1/2	1FLR1410	11	3.0	9.5	0.688	8	0.875	10.9
6 X 3	1FLR1411	11	3.6	9.5	0.688	8	0.875	10.9
6 X 4	1FLR1412	11	4.6	9.5	0.688	8	0.875	10.9
8 X 3	1FLR1511	13.5	3.0	11.75	0.688	8	0.875	15.6
8 X 4	1FLR1512	13.5	4.6	11.75	0.688	8	0.875	15.6
8 X 6	1FLR1514	13.5	6.7	11.75	0.688	8	0.875	15.6
10 X 6	1FLR1614	16	6.7	14.25	0.812	12	1	20.0
10 X 8	1FLR1615	16	8.7	14.25	0.812	12	1	20.0
<b>BLIND</b>								
2"	1FLB0909	6	3	4.75	0.5	4	0.75	4.2
2 1/2"	1FLB1010	7	3	5.5	0.5	4	0.75	5.6
3"	1FLB1111	7.5	3.6	6	0.5	4	0.75	6.3
4"	1FLB1212	9	4.6	7.5	0.625	8	0.75	8.5
6"	1FLB1414	11	6.7	9.5	0.688	8	0.875	10.9
8"	1FLB1515	13.5	8.7	11.75	0.688	8	0.875	15.6
10"	1FLB1616	16	11	14.25	0.812	12	1	20
12"	1FLB1717	19	13	17	0.938	12	1	33.1

# UniLet

## Threaded Welded Outlet - Import

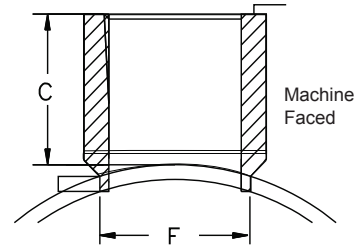
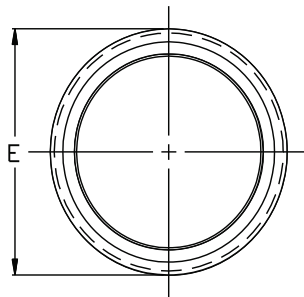
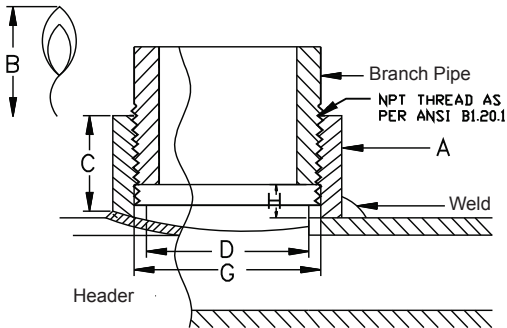
UniLet welding outlets are manufactured by Sigma Piping Products from highly weldable steel which conforms to ASTM A 576/A 29. UniLets are designed specifically for use with automatic welding equipment. Threads are cut in accordance with ANSI B1.20.1 national standard for tapered threads.

FOR FIRE PROTECTION & OTHER LOW PRESSURE PIPING SYSTEMS: UniLets offer the user a high strength-low cost, forged threaded outlet specifically designed and manufactured to be installed on proprietary thin wall "FLOW PIPE", Schedule 10 and standard wall pipe.

- Only three 1" outlets are required to fit header sizes up to 8".
- Reduces stock numbers in inventory by reducing inventory
- Chill ring ensures proper positioning, speeds automatic welding, and helps prevent burn or weld through.
- Simplifies and reduces cost of inventory
- Only one 1/2" or 3/4" outlet is required to fit header sizes up to 8"

### Description

### UniLet

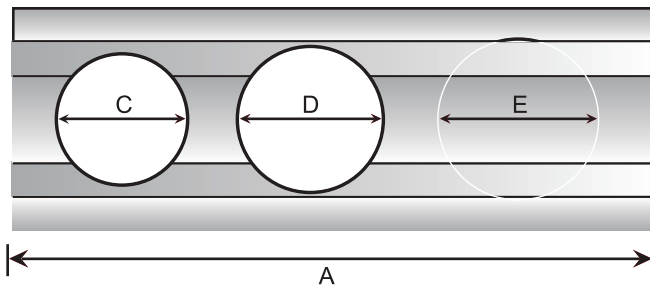


NOM OUTLET SIZE A	NOM HEADER SIZE B	ITEM CODE	TAKE OUT LENGTH C	INSIDE DIAMETER D	OUTSIDE DIAMETER E	BOTTOM DIAMETER F	HOLE SIZE G	MAKE UP H	ITEM WT.
1/2	1 1/4 - 8	UL0001N	1.063	0.700	1.063	0.858	0.875	0.531	0.1
3/4	1 1/4 - 8	UL0002N	1.125	0.900	1.315	1.055	1.063	0.562	0.15
1	1 1/4	SL031	1.25		1.57	1.156	1.186		
1	1 1/2 - 2 1/2	UL0003N	1.25	1.145	1.57	1.30	1.313	0.593	0.2
1	3 - 8	UL0004N	1.25	1.145	1.57	1.30	1.313	0.593	0.2
1 1/4	1 1/2 - 2	UL0005	1.375	1.480	1.90	1.605	1.625	0.687	0.4
1 1/4	2 1/2 - 8	UL0006	1.375	1.480	1.90	1.605	1.625	0.687	0.4
1 1/2	2 - 3	UL0007	1.625	1.610	2.105	1.735	1.75	0.937	0.5
1 1/2	4 - 8	UL0008	1.625	1.610	2.105	1.735	1.75	0.937	0.5
2	2 1/2 - 3	UL0009	1.75	2.067	2.620	2.192	2.25	1.062	0.8
2	4 - 8	UL0010	1.75	2.067	2.620	2.192	2.25	1.062	0.8

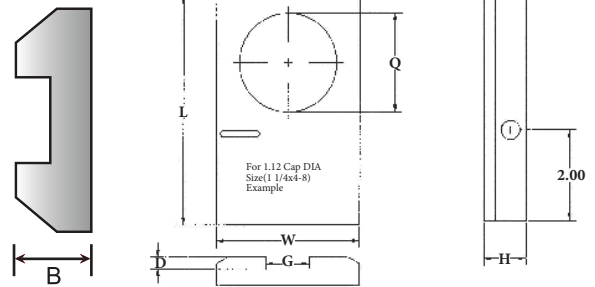
# UniLet Template

Description  
UniLet Template

1/2, 3/4, 1



1 1/4, 1 1/2, 2



SIZE	ITEM CODE	DESCRIPTION	A/L	B/H	C/Q	D/G	E/W
<b>THERMAL DYNAMICS</b>							
1.000	ULTEMP1	1/2, 3/4, 1	9.25	1.00	1.81	2.02	2.24
1.000	ULTEMP4	1 1/4 X 4 - 8	6.25	0.87	2.63	2.12	3.5
1.000	ULTEMP5	1 1/4 X 2 1/2 - 4	6.25	0.87	2.63	1.435	3.5
1.000	ULTEMP6	1 1/2 X 4 - 8	7.00	0.87	2.69	2.12	3.875
1.000	ULTEMP7	1 1/2 X 3 - 4	7.00	0.87	2.69	1.50	3.875
1.000	ULTEMP8	1 1/2 X 2 - 2 1/2	7.00	0.87	2.69	1.50	3.875
1.000	ULTEMP9	2 X 4 - 8	7.00	0.99	3.19	2.12	4.25
1.000	ULTEMP10	2 X 2 1/2 - 3	7.00	0.99	3.19	1.56	4.25
<b>MILLER</b>							
1.080	ULTEMP3	1/2, 3/4, 1	9.25	1.00	1.88	2.11	2.33
<b>HYPER THERM</b>							
1.125	ULTEMP2	1/2, 3/4, 1	9.25	1.00	1.94	2.15	2.40
1.125	ULTEMP11	1 1/4 X 4 - 8	6.25	0.87	2.75	2.12	3.5
1.125	ULTEMP12	1 1/4 X 2 1/2 - 4	6.25	0.87	2.75	1.435	3.5
1.125	ULTEMP13	1 1/2 X 4 - 8	7.00	0.87	2.815	2.12	3.875
1.125	ULTEMP14	1 1/2 X 3 - 4	7.00	0.87	2.815	1.50	3.875
1.125	ULTEMP15	1 1/2 X 2 - 2 1/2	7.00	0.87	2.815	1.50	3.875
1.125	ULTEMP16	2 X 4 - 8	7.00	0.99	3.315	2.12	4.25
1.125	ULTEMP17	2 X 2 1/2 - 3	7.00	0.99	3.315	1.56	4.25

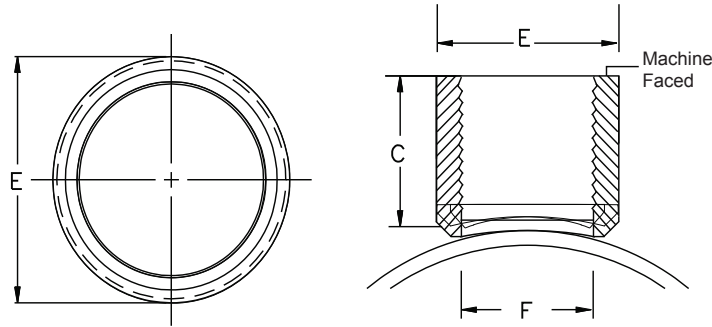
# SigLet

## Threaded Welded Outlet **\*Made in the U.S.A**

SigLet welding outlets are manufactured by Sigma Piping Products from highly weldable steel which conforms to ASTM A 576/A 29. SigLets are designed specifically for use with automatic welding equipment. Threads are cut in accordance with ANSI B1.20.1 national standard for tapered threads.

FOR FIRE PROTECTION & OTHER LOW PRESSURE PIPING SYSTEMS: SigLets offer the user a high strength-low cost, threaded outlet specifically designed and manufactured to be installed on proprietary thin wall "FLOW PIPE", Schedule 10 and standard wall pipe.

### Description SigLet



OUTLET SIZE	RUN SIZE	ITEM CODE	Dimension C	Dimension E	Dimension F	HOLE SIZE
1/2"	1 1/4" - 1 1/2"	D-SL011	1.059"	1.063"	0.71"	0.74"
1/2"	2" - 2 1/2"	D-SL012	1.059"	1.063"	0.71"	0.74"
1/2"	2 1/2" - 8"	D-SL013	1.059"	1.063"	0.71"	0.74"
3/4"	1 1/4" - 1 1/2"	D-SL021	1.125"	1.313"	0.917"	0.95"
3/4"	2" - 2 1/2"	D-SL022	1.125"	1.313"	0.917"	0.95"
3/4"	2 1/2" - 8"	D-SL023	1.125"	1.313"	0.917"	0.95"
1"	1 1/4"	D-SL031	1.25"	1.57"	1.156"	1.186"
1"	1 1/2"	D-SL032	1.25"	1.57"	1.156"	1.186"
1"	2" - 2 1/2"	D-SL033	1.25"	1.57"	1.156"	1.186"
1"	3" - 4"	D-SL034	1.25"	1.57"	1.156"	1.186"
1 1/4"	1 1/2"	D-SL042	1.351"	1.90"	1.48"	1.51"
1 1/4"	2" - 2 1/2"	D-SL044	1.359"	1.90"	1.48"	1.51"
1 1/4"	3" - 4"	D-SL045	1.362"	1.90"	1.48"	1.51"
1 1/2"	2"	D-SL052	1.426"	2.105"	1.635"	1.66"
1 1/2"	2 1/2"	D-SL053	1.511"	2.105"	1.635"	1.66"
1 1/2"	3"	D-SL054	1.573"	2.105"	1.635"	1.66"
1 1/2"	4"	D-SL055	1.619"	2.105"	1.635"	1.66"
1 1/2"	6" - 8"	D-SL056	1.619"	2.105"	1.635"	1.66"
2"	2 1/2"	D-SL062	1.283"	2.62"	2.113"	2.143"
2"	3"	D-SL063	1.408"	2.62"	2.113"	2.143"
2"	4"	D-SL064	1.513"	2.62"	2.113"	2.143"
2"	6"	D-SL066	1.615"	2.62"	2.113"	2.143"

\*We reserve the right to substitute for another manufacturers domestic threaded outlet.

**\*Made in the U.S.A**

Welded



# SafeLet

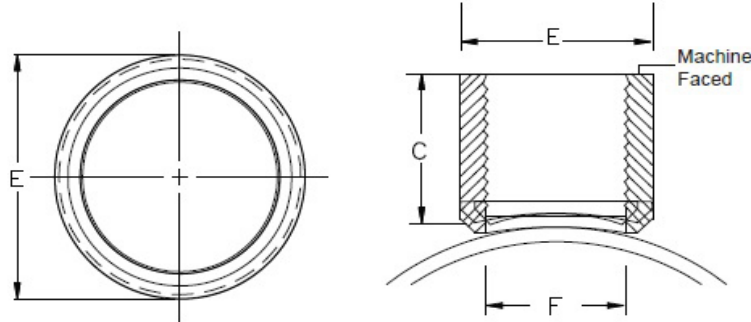
## Threaded Welded Outlet

SigLet welding outlets are manufactured by Sigma Piping Products from highly weldable steel which conforms to ASTM A 576/A 29. SigLets are designed specifically for use with automatic welding equipment. Threads are cut in accordance with ANSI B1.20.1 national standard for tapered threads.

FOR FIRE PROTECTION & OTHER LOW PRESSURE PIPING SYSTEMS: SigLets offer the user a high strength-low cost, threaded outlet specifically designed and manufactured to be installed on proprietary thin wall "FLOW PIPE", Schedule 10 and standard wall pipe.

### Description

### SafeLet



OUTLET SIZE	RUN SIZE	ITEM CODE	Dimension C	Dimension E	Dimension F	HOLE SIZE
1/2"	1 1/4" - 1 1/2"	SL011	1.059"	1.063"	0.71"	0.74"
1/2"	2" - 2 1/2"	SL012	1.059"	1.063"	0.71"	0.74"
1/2"	2 1/2" - 8"	SL013	1.059"	1.063"	0.71"	0.74"
3/4"	1 1/4" - 1 1/2"	SL021	1.125"	1.313"	0.917"	0.95"
3/4"	2" - 2 1/2"	SL022	1.125"	1.313"	0.917"	0.95"
3/4"	2 1/2" - 8"	SL023	1.125"	1.313"	0.917"	0.95"
1"	1 1/4"	SL031	1.25"	1.57"	1.156"	1.186"
1"	1 1/2"	SL032	1.25"	1.57"	1.156"	1.186"
1"	2" - 2 1/2"	SL033	1.25"	1.57"	1.156"	1.186"
1"	3" - 4"	SL034	1.25"	1.57"	1.156"	1.186"
1 1/4"	1 1/2"	SL042	1.351"	1.90"	1.48"	1.51"
1 1/4"	2"-2-1/2"	SL043	1.351"	1.90"	1.48"	1.51"
1 1/4"	2 1/2"	SL044	1.359"	1.90"	1.48"	1.51"
1 1/4"	3" - 4"	SL045	1.362"	1.90"	1.48"	1.51"
1 1/2"	2"	SL052	1.426"	2.105"	1.635"	1.66"
1 1/2"	2 1/2"	SL053	1.511"	2.105"	1.635"	1.66"
1 1/2"	3"	SL054	1.573"	2.105"	1.635"	1.66"
1 1/2"	4"	SL055	1.619"	2.105"	1.635"	1.66"
1 1/2"	6" - 8"	SL056	1.619"	2.105"	1.635"	1.66"
2"	2 1/2"	SL062	1.283"	2.62"	2.113"	2.143"
2"	3"	SL063	1.408"	2.62"	2.113"	2.143"
2"	4"	SL064	1.513"	2.62"	2.113"	2.143"
2"	6"	SL066	1.615"	2.62"	2.113"	2.143"
2"	8"	SL067	1.662"	2.62"	2.113"	2.143"





#### TERMS, CONDITIONS, AND GUIDELINES OF SALES

1. All orders are subject to approval and acceptance by SIGMA Piping Products.
2. PRICES: Prices are subject to change without notice.
3. SHORTAGES: All sales are F.O.B. Shipping Point. Any damage or shortage must be noted on the delivery bill of lading or our packing list and acknowledged by the delivering carrier's agent. All claims for damage or shortage must be made in writing within 7 (seven) days of receipt of material.
4. DELIVERY OF MATERIAL: SIGMA will make every effort to make delivery within time specified. Any delay in meeting shipping schedules will not make SIGMA liable for damages of any kind, liquidated or unliquidated, including damages for loss of use.
5. WARRANTY: SIGMA gives warranty for material furnished under its trade names against any defects in material or workmanship subject to normal use, for a period of one year after date of shipment. SIGMA will replace the defective product at the delivery point or, at its option, repay price paid for the product plus any transportation charges paid by Buyer in addition to such price. SIGMA is not responsible for consequential or incidental damages for loss of use, or any other damages whatsoever, in connection with the warranties set forth above or implied by law, or any purported negligence of SIGMA. No terms or conditions, other than those stated above, and no agreement or understanding, oral or written, in any way purporting to modify these terms or conditions, whether contained in Buyer's purchase orders or shipping release forms, or elsewhere, shall be binding on SIGMA unless hereafter made in writing and signed by SIGMA'S authorized representative.
6. All sales, use, excise, state, local or similar taxes are the responsibility of the Buyer. In the event SIGMA must pay or collect such taxes, the Buyer agrees to promptly reimburse the same to SIGMA.
7. TERMS: All invoices are payable in net 30 days, unless other terms are explicitly mentioned in the invoices. A service charge may be added to all past due accounts.
8. Buyer may not return or cancel any part or all of the order without prior written authorization. There will be a minimum restocking charge of 25% for goods accepted for return.
9. Buyer will furnish and pay for necessary labor to unload and store material.
10. Please use Sigma's item numbering system in all your orders or inquiries to facilitate faster and easier processing.
11. Please try to order in Sigma's standard inner box quantities, outer box quantities, or full pallet quantities, whenever possible, to facilitate quicker processing of your orders.
12. Sigma is constantly adding newer sizes and items to its on-hand inventory available for immediate delivery. Please check with us for the update in availability when you put your list together - the items you are looking for may already be here!
13. FREIGHT TERMS: The minimum order for freight allowed is \$1500 of Sigma Piping Products material.

## COMPANY OVERVIEW

Our mission is to supply the highest quality engineered products to customers in the Commercial & Residential Plumbing, Gas, Electrical, Industrial, Fire Protection and HVAC industries. SIGMA uses its relationships with the most qualified and reliable suppliers in the world along with the comprehensive knowledge of supply chain management to provide the finest quality services available.

Our experience, technical expertise and network of global resources enables us to offer the advantages of using a “one-stop shop”. This provides engineering, quality assurance, product scheduling, importing, warehousing and delivery.

SIGMA Piping Products is a division of SIGMA Corporation. SIGMA Corporation has been developing products for the North American Water and Wastewater industry for over 25 years. Today we are one of the world’s largest suppliers of specialty water products within the American Waterworks Association (AWWA) range. At SIGMA we are proud to offer the highest quality ductile iron waterworks fittings, pipe restraint products and municipal casting products available in the market. We operate a network of warehouses and distribution offices that provide us with a national reach.

The company has grown rapidly through an increased focus on geographic expansion and by broadening our extensive product line. We have recently complemented our portfolio by acquiring a number of new product lines to service the Fire Protection, Plumbing and Industrial industries. These strategic acquisitions broaden our business and play to the strengths of the SIGMA team.

---

## Quality Management

SIGMA believes that quality does not cost, it pays. Our team commitment to quality is to maximize the combined value of our service to each of our customers by supplying all of our products to the highest requirements and standards of customer satisfaction. We strive to ensure that our products are delivered free of defects at a competitive price with the utmost attention to all aspects of product development, production and supply chain management.

The SIGMA Quality Plan is unique to the industry. We have designed our Quality Plan to assure reliability to the highest level. The plan starts with each casting having a casting ID that we call a heat number that enables us to identify the location, production facility, date and batch of production.

SIGMA uses detailed Quality Inspection Procedures (QIP) for each product category to guide our overseas production facilities. These QIPs incorporate the relevant standards and go much further in detail as to what SIGMA expects the factory to do. The aggregation of the QIPs, the Quality Plan and Statistical Process Control together assures SIGMA and our customers of the high reliability of our products.

## Associations/Approvals/Listings/Memberships



----- American Fire Sprinkler Association



----- National Fire Sprinkler Association



----- Factory Mutual Approves



----- MEA Listed (New York City Approval)



----- American Society for Testing Materials



----- American National Standards Institute



----- American Society Of Mechanical Engineers



----- Underwriters' Laboratories



----- Underwriters' Laboratories of Canada & US



----- Underwriters' Laboratories of Canada



## **SHIPPING LOCATIONS**

*South Central*  
5000 Askins  
Houston, TX 77093

*Southeast*  
1500 Hwy 22 W  
Alexander City, AL 35010

*West*  
4652 E. Guasti Rd.  
Ontario, CA 91761

*Northwest*  
902 W. Main Street  
Auburn, WA 98001

*Northeast*  
50 Howe Ave Bld K  
Millbury, MA 01527