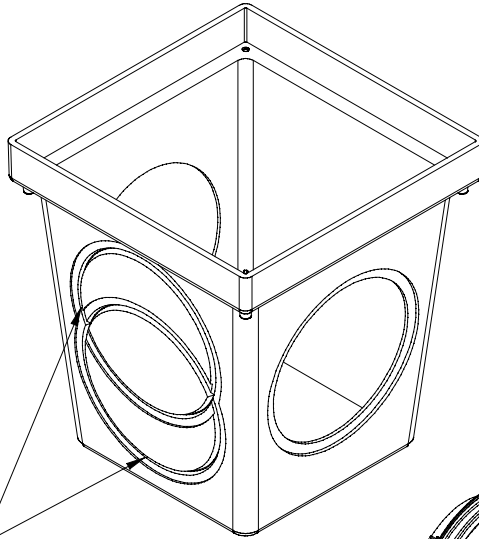
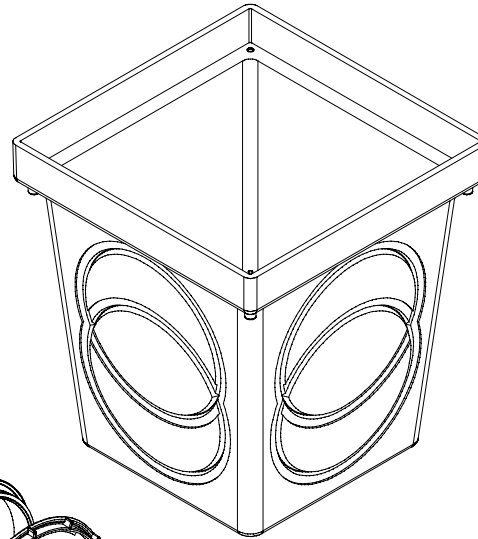


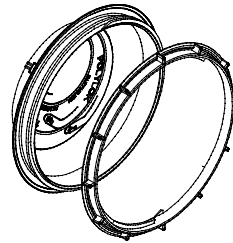
HOLES TO BE CUTOUT  
AS NEEDED TO ACCEPT  
POLYLOK PRT. NO. 3001  
D-BOX SEAL



MODEL - PDB-9B  
AS SHOWN WITH  
2 SIDES WITH HOLES  
2 SIDES WITH CUTOUTS



MODEL - PDB-9BL  
AS SHOWN WITH  
4 SIDES ALL CUTOUTS



POLYLOK 9" DRAIN BOX  
PART NO'S.  
2- HOLE - PDB-9B  
NO HOLE - PDB-9BL  
GRATE - PDB-9G  
MATERIAL - POLYPROPYLENE  
COLOR - BLACK  
CAPACITY - 2 GALLONS  
GRATE:  
32 SQ. IN. OPEN AREA  
FLOW RATE(GRATE) - 41.92 GPM  
2 POLYLOK SEAL ASSEMBLIES  
INCLUDED

