



Quality – Service – Commitment – Delivered.

MAXI200



8" [200] WIDE THROAT TRENCH DRAIN SYSTEM WITH DUCTILE IRON FRAME

Dimensional Data (inches and [mm]) are Subject to Manufacturing Tolerances and Change Without Notice

ENGINEERING SPECIFICATION: HYDROTEC MAXI200 Channels shall be 39.37" [1000] long, 10.16" [258] wide reveal and have a 7.87" [200] wide throat. Modular channel sections shall be made of fiber-reinforced concrete C35/45. Shall have a male/female connection between channel sections that will not separate during the installation. Channels shall have a radiused self-cleaning bottom and neutral 0% built in slope. Channels shall have Ductile Iron Edge Rails built into the fiber-reinforced concrete. Channels shall have all grates locked down as per HYDROTEC's patented locking mechanism whereby the polyamide rod is pushed and locked underneath the grate.

MAXI 7.87" [200] wide throat **Ductile Iron ADA Grate is rated class D** per the DIN EN1433 top load classifications. Ductile Iron conforms to ASTM specification A536-84, Grade 80-55-06. Supplied in 39.37" [1000] or 19.69" [500] nominal lengths with 0.86/0.47 [24/12] wide slots. Grate has an open area of 45.82 sq. in per ft. [97,000 sq.mm per meter].

MAXI 7.87" [200] wide throat **Ductile Iron Grate is rated class E** per the DIN EN1433 top load classifications. Ductile Iron conforms to ASTM specification A536-84, Grade 80-55-06. Supplied in 39.37" [1000] or 19.69" [500] nominal lengths with 1.18/0.78 [30/20] wide slots. Grate has an open area of 49.13 sq. in per ft. [104,006 sq.mm per meter].

MAXI 7.87" [200] wide throat **Ductile Iron ADA Grate is rated class F** per the DIN EN1433 top load classifications. Ductile Iron conforms to ASTM specification A536-84, Grade 80-55-06. Supplied in 39.37" [1000] or 19.69" [500] nominal lengths with 1.02/0.47 [26/12] wide slots. Grate has an open area of 45.82 sq. in per ft. [97,000 sq.mm per meter].

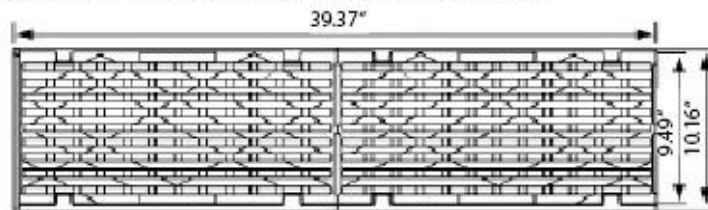
MAXI200 Parts Guide

Product Description	With Ductile Iron ADA Class D Grate Part No.	Weight Lbs	With Ductile Iron Class E Grate Part No.	Weight Lbs	With Ductile Iron ADA Class F Grate Part No.	Weight Lbs	'A' Shallow Invert Inches [mm]	'B' Shallow Invert Inches [mm]
Neutral Channel 39.37" (1m)	CHG61240-000	242.51	CHG62250-000	234.79	CHG61260-000	242.51	12.20"[310]	12.20"[310]
Neutral Channel 19.69" (0.5m)	CHG61240-005	121.25	CHG62250-005	13.53	CHG61260-005	121.25	12.20"[310]	12.20"[310]
Catch Basin 19.69" (0.5m)	CHG61240-008	158.73	CHG62250-008	151.01	CHG61260-008	158.73	21.65"[550]	21.65"[550]
Double Catch Basin 19.69" (0.5m)	CHG61240-009	317.47	CHG62250-009	317.47	CHG61260-009	317.47	43.30"[1100]	43.30"[1100]

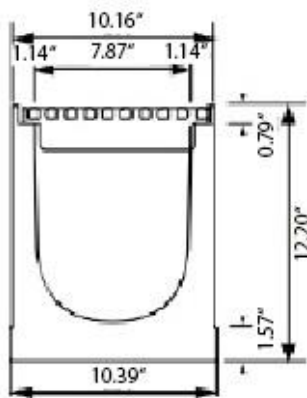
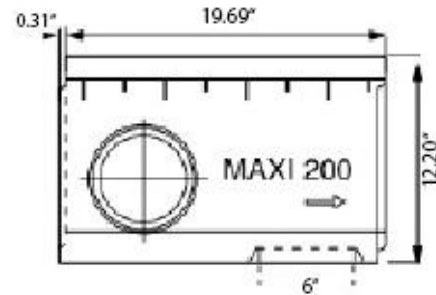
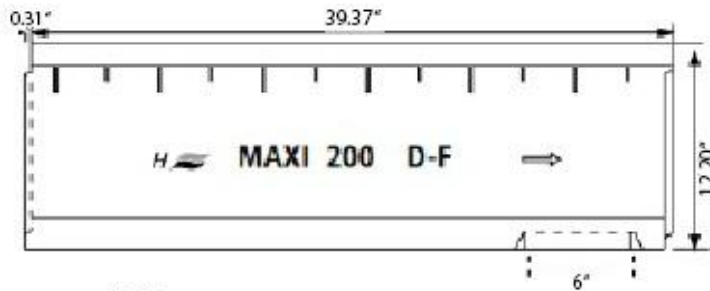
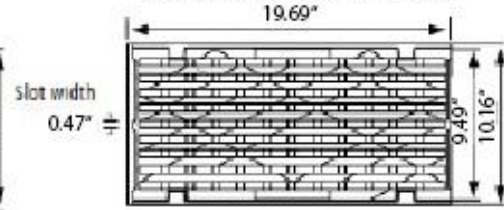
ACCESSORIES MAXI200	Part. No
End Cap for MAXI200 (Open & Closed): 1 plastic part to close MAXI200 trench drains that can be cut to connect 8" pipes	CHG70012-00
8" Pipe Connection (PVC) for all MAXI200	CHG70022-00

MAXI200 with Ductile Iron ADA Load Class D (Part No. CHG61240-*) and ADA Load Class F (Part No. CHG61260-*)

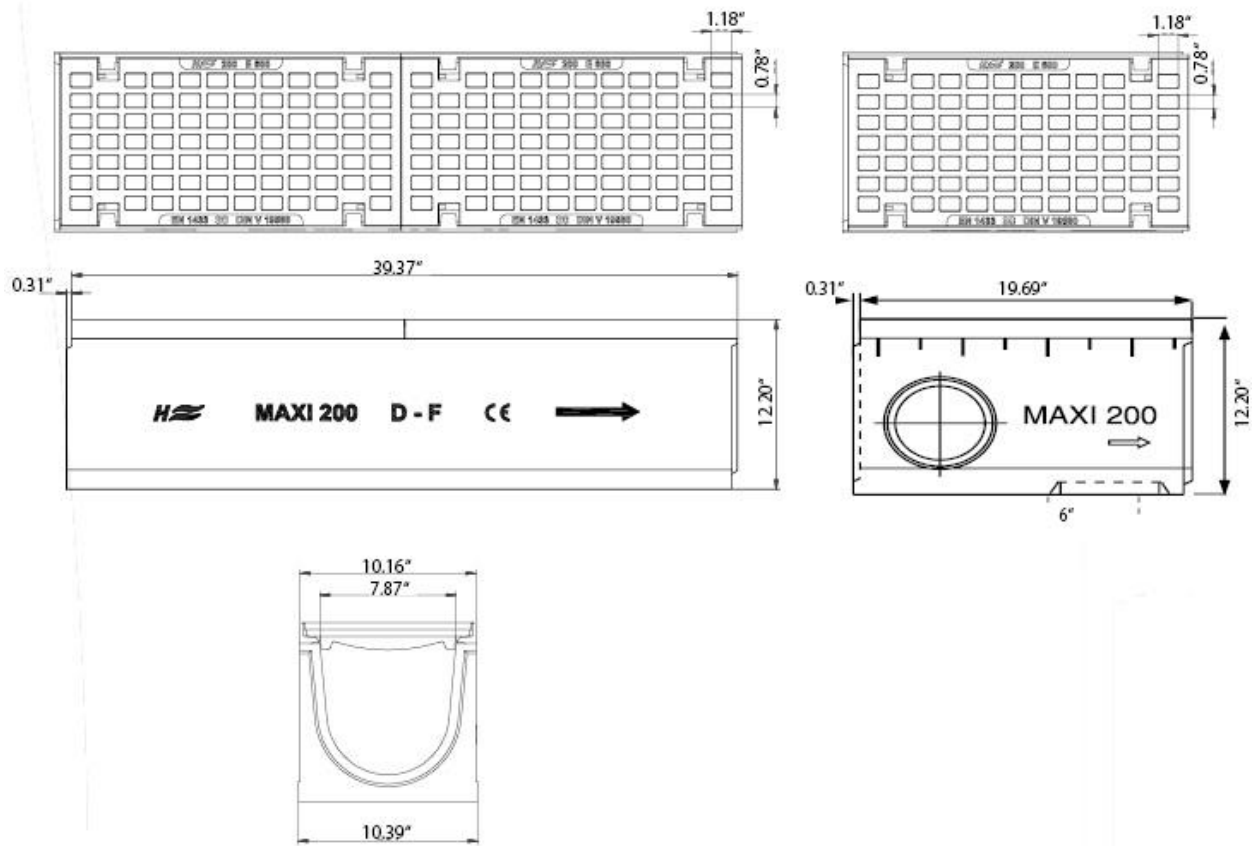
Channel with 2 grates, water intake area 150.35 sq. ins



Water intake area 75.17 sq. ins



MAXI200 with Ductile Iron Class E Grate: Part No. CHG62250-*



Catch Basin, Double Catch Basin and End Caps for All MAXI200

