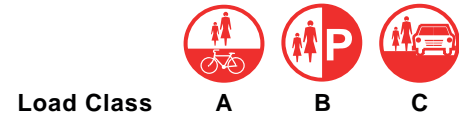
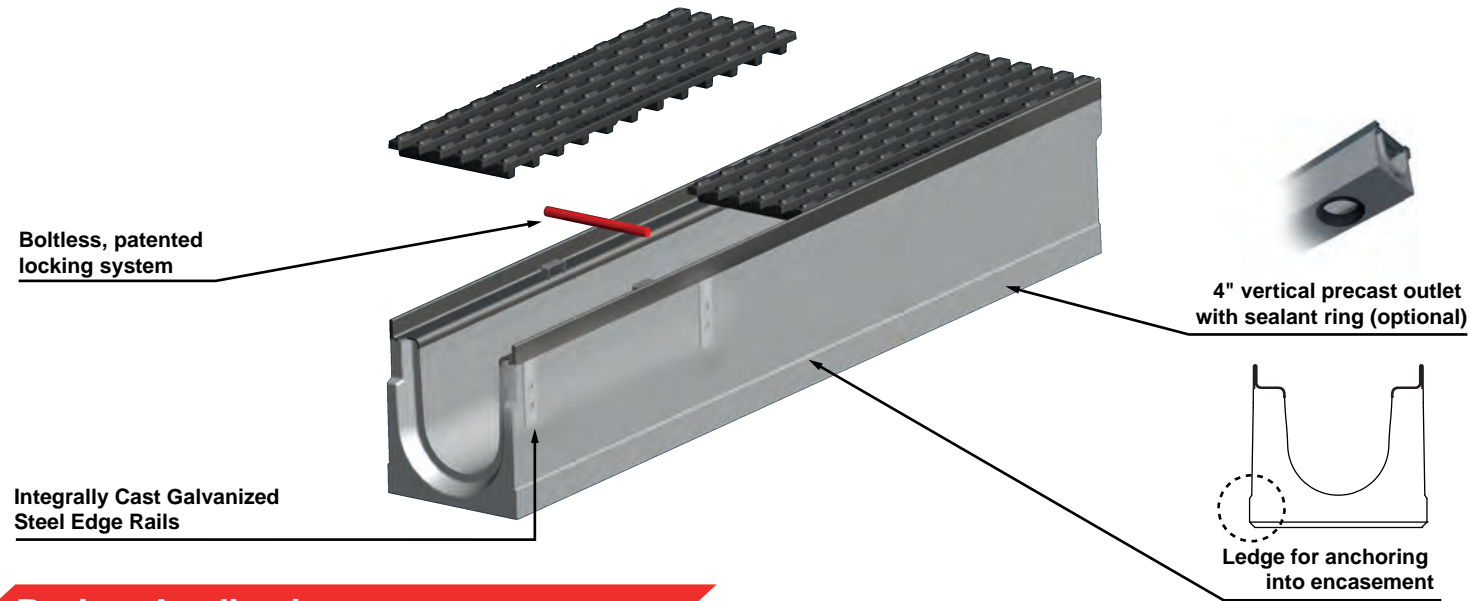


TOP 100 Overview



Product Description

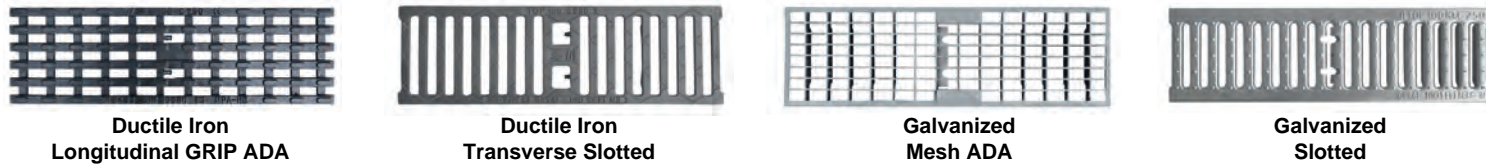
The TOP trench drain is a modular linear drain best utilized in light to heavy duty applications up to H-20 (AASHTO) load requirements. The hot dipped galvanized steel rail is integrally cast into a 6500 psi fiber reinforced concrete channel for increased stability and durability. Channels are available in 39.37" (1 meter) and 19.69" (half meter) lengths, both sloped and neutral depths, and easily connected using the male and female joint profiles. Available in 4" (TOP 100), 6" (TOP 150) and 8" (TOP 200) internal width channels.



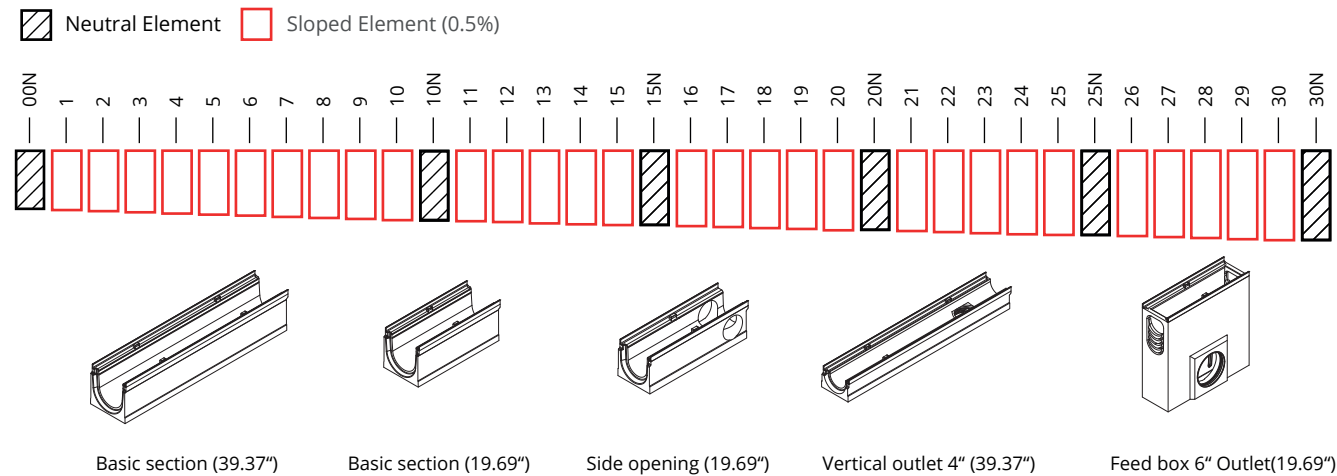
Project Applications

- Commercial
- Pedestrian Plazas
- Schools
- Retail
- Sporting Facilities
- Car Parking Lots

Grates



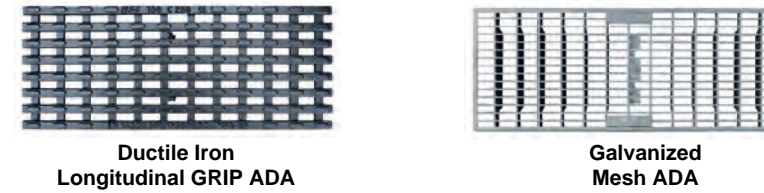
System Layout



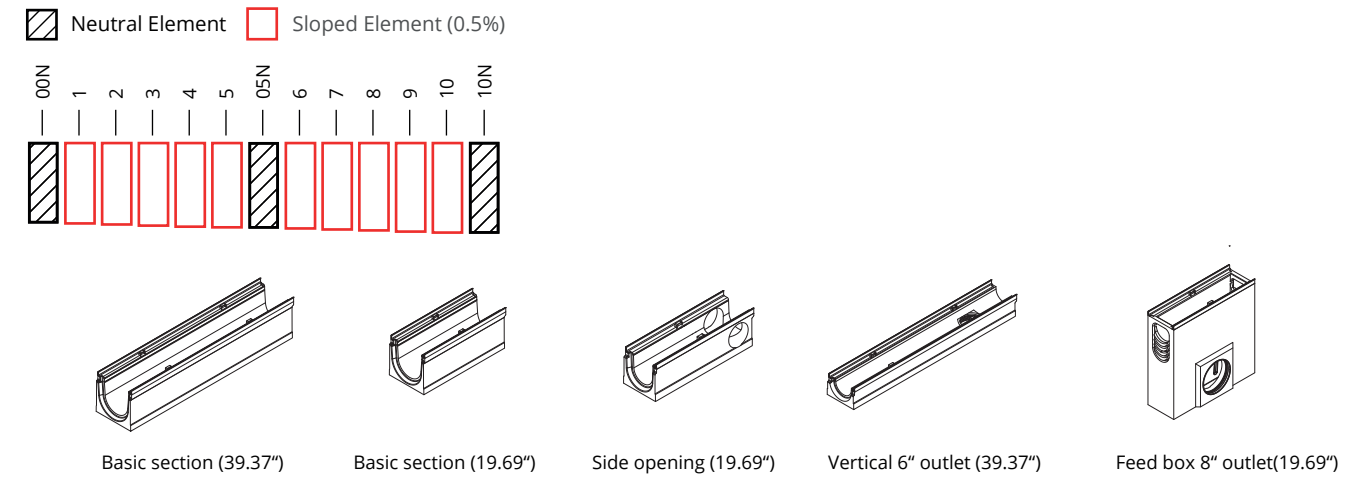
TOP 150 Overview



Grates



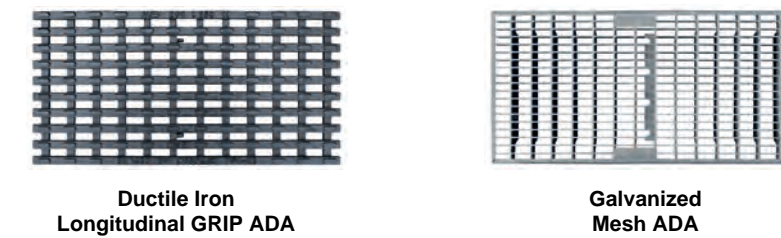
System Layout



TOP 200 Overview



Grates



System Layout

