

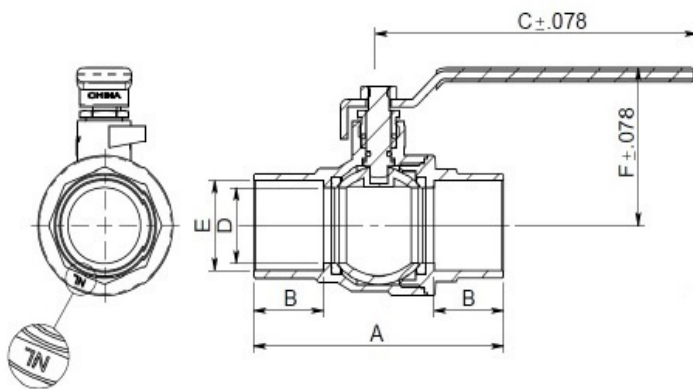
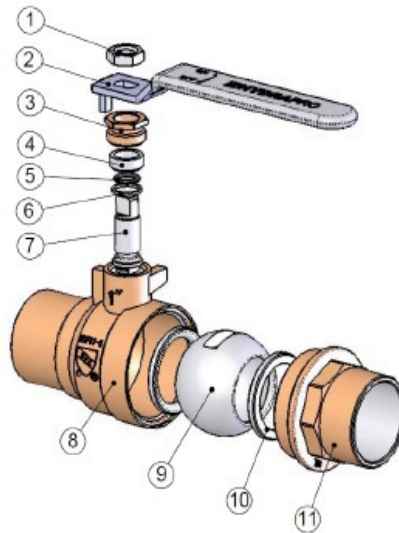


Specification Sheet

Lead Free* Full Port Ball Valves

Size	A	B	C	D	E	F
1/2	1.97	.484	3.08	∅.516	∅.625	1.53
3/4	2.70	.750	4.14	∅.703	∅.875	1.78
1"	3.25	.906	4.14	∅.938	∅1.13	1.95
1 1/4	3.63	.922	4.92	∅1.20	∅1.38	2.48
1 1/2	4.30	1.10	4.92	∅1.45	∅1.63	2.67
2"	5.36	1.34	7.09	∅1.95	∅2.13	3.20

No.	Part	Material	QTY.
1	Hex-nut	steel	1
2	Handle	steel	1
3	Packing nut	Local brass	1
4	Packing gland	PTFE	1
5	O-Ring	EPDM	1
6	Stem	1/2"-1":C46500 1 1/4"-2":C38000	1
7	Washer	PTFE	1
8	Body	C46500	1
9	Ball	1/2"-1":C46500 1 1/4"-2":Stainless steel	1
10	Seat	PTFE	2
11	Bonnet	C46500	1



Size	Sigma Model #
1/2"	IBVS600LF12
3/4"	IBVS600LF34
1"	IBVS600LF1
1 1/4"	IBVS600LF114
1 1/2"	IBVS600LF112
2"	IBVS600LF2



* Lead Free refers to the wetted surface of pipe, fittings, and fixtures in potable water systems that have a weighted average lead content ≤.25% per the Safe Drinking Water Act (Sec. 1417) amended 1-4-2011 and other equivalent state regulations.