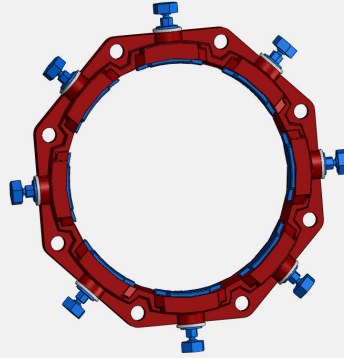
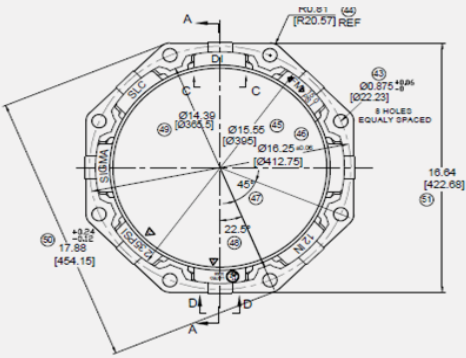
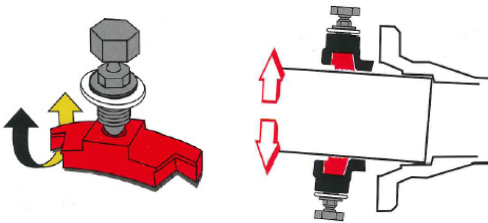


ONE-LOK™ Series SLC for PVC Pipe



Features & Advantages:

1) The SIGMA ONE-LOK Series SLC is a mechanical joint restraining gland that implements a series of individually activated lugs that locate around the circumference of PVC pressure pipe. When the lug-stem assembly is tightened down onto the pipe, the teeth (edges) on the bottom of each wedge lock onto the pipe wall. Pressure thrusts cause the primary contact edges to “grip” the pipe surface and properly restrain all classifications of AWWA C-900 or IPS pipe.



2) ONE-LOK SLC's precision contoured wedges provide proper contact and support of the PVC pipe wall. Each wedge is manufactured with an elongated contour that evenly matches the outside circumference of each nominal diameter of PVC pipe.

3) ONE-LOK SLC's wedge actuating bolt provides the installer with two visual torque indicators. The breakaway top and secondary shoulder stop ensure proper engagement of the wedge segment at the time of installation. Unlike other actuating bolts, the ONE-LOK SLC is manufactured with a proprietary quality control system that ensures the breakaway tops will activate at the correct torque. The breakaway top is sized to match the same dimensions of the bolts and nuts used to assemble the mechanical joint fitting and follower gland, eliminating the need for special installation tools. Once engaged, the actuating bolt leaves a residual hex-head shank, allowing post-installation disassembly of the restrained joint, if necessary.

4) ONE-LOK SLC also features a non-corrosive, two-piece ABS plastic spacer that is removed when using the product to restrain IPS sized pipes meeting ASTM D2241. The two-piece design of this spacer allows it to be removed without requiring disassembly of the product. When the ONE-LOK SLC is used to restrain pipes meeting AWWA C900, the spacer is left intact on the actuating bolt.

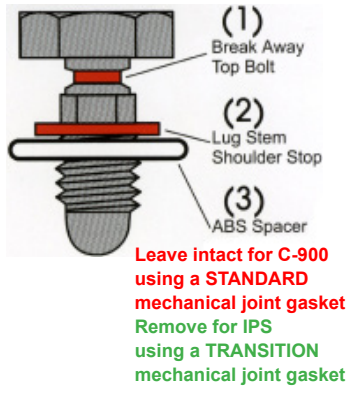
5) ONE-LOK SLC's unique wedge segment and actuating bolt design allows the two components to interface using a cam action principle, allowing the wedge segments to rock and increase their grip on the pipe wall as thrust on the assembled joint increases. This also allows improved resistance to subsidence, seismic forces, and other movement within the maximum deflection limitations of the mechanical joint under applicable AWWA standards.

SIGMA ONE-LOK SLC's can be used on all pressure classes and thicknesses of PVC pipe.

ONE-LOK's unique CAM ACTION allows the restraining lugs to “rock” and grip the PVC pipe wall more securely as thrust force increases, and allows for subsidence, seismic or other forces after installation, up to the maximum allowed deflection



ONE-LOK™ Series SLC for PVC Pipe

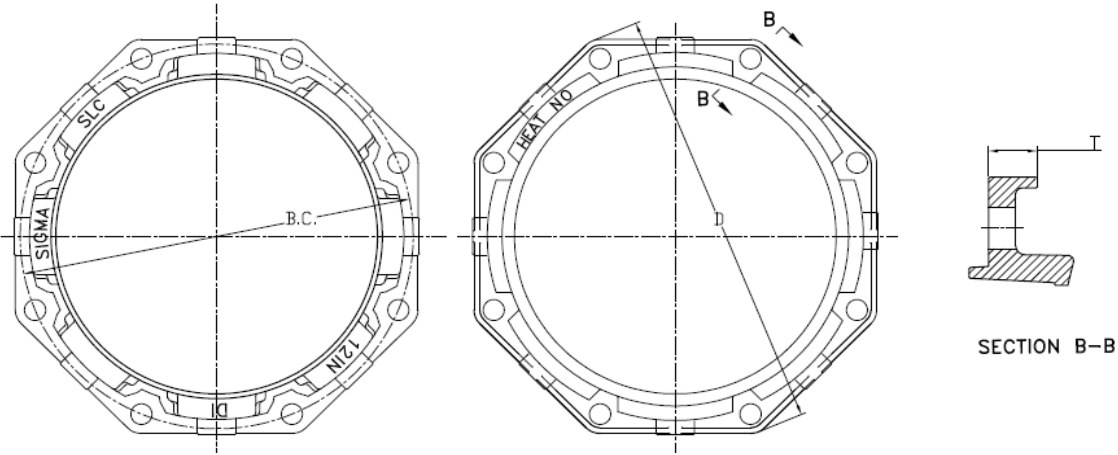
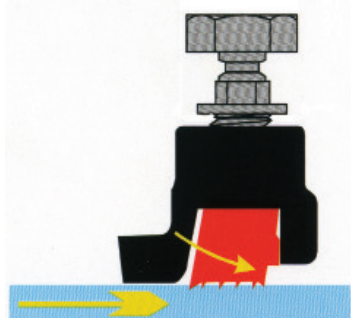


Sample Specification:

Restraint for standard mechanical joint fittings shall be incorporated in the design of the follower gland and shall utilize multiple wedge segments that act against the pipe, increasing their resistance as the line pressure increases. The assembled joint shall maintain the maximum flexibility and deflection of all nominal pipe sizes after burial. Restraining gland, wedge segments, and actuating bolts shall be manufactured of high strength ductile iron conforming to the requirements of ASTM A536, Grade 65-45-12. Dimensions shall be compatible with standardized mechanical joints conforming to the requirements AWWA C111/ANSI A21.11 and AWWA C153/ANSI 21.53 through 24" (latest revision). Breakaway tops shall be incorporated in the design of the actuating bolts to visually ensure proper torque. The manufacturing of the actuating bolt must incorporate a quality control procedure that is deemed acceptable by the specifier and positively assures precise and consistent operating torque of the breakaway top. The mechanical joint restraining devices shall have a working pressure rating of 235 psi and provide no less than a safety factor of 2:1. Restraint shall be FM approved in applicable sizes. Restraining device shall be SIGMA ONE-LOK™ or approved equal.

Material:

- Gland body, brackets, wedge segments & actuating bolts ASTM A536 65-45-12 ductile iron.
- Restraining Rods & Nuts: High strength, low alloy steel meeting AWWA/ANSI C111/A21.11 with minimum 65,000 psi tensile strength and 45,000 psi yield strength.



Dimensions in Inches, Weights in Pounds

Size	Item #	Weight	C900 Pipe DI OD	IPS Pipe OD	Dimensions			Wedge Bolts			Packaged with T-bolts, Nuts and MJ Gasket		T-Bolts		
					B.C.	D	T	No	Size	Length	Torque	Item #	Weight	Qty	Size
3	SLC3	9	---	3.50	6.19	7.69	.62	4	7/8	1.50	45-55	SLCP3	12	4	5/8 x 3
4	SLC4	11	4.80	4.50	7.50	9.12	0.75	4	7/8	2.86	50-60	SLCP4	14	4	3/4 x 3.5
6	SLC6	12	6.90	6.63	9.50	11.12	0.88	6	7/8	2.86	50-60	SLCP6	18	6	3/4 x 3.5
8	SLC8	19	9.05	8.63	11.75	13.37	1.00	6	7/8	2.86	50-60	SLCP8	27	6	3/4 x 4
10	SLC10	25	11.10	10.75	14.00	15.62	1.00	8	7/8	2.86	50-60	SLCP10	34	8	3/4 x 4
12	SLC12	30	13.20	12.75	16.25	17.88	1.00	8	7/8	2.86	50-60	SLCP12	38	8	3/4 x 4



Sizes 4" - 12" are UL listed and have been tested in accordance with ASTM F1674.
 Sizes 4" - 12" are FM approved on AWWA C900 pipe.



Quality – Service – Commitment – Delivered.

Pressure Rating Chart

Nominal Pipe Size	Item #	Pressure Rating													
		C900									ASTM D2241				
		DR14	DR17	DR18	DR21	DR25	DR27.5	DR32.5	DR41	DR51	SDR17	SDR21	SDR26	SDR32.5	SDR41
3	SLC3	-	-	-	-	-	-	-	-	-	250	200	160	125	100
4	SLC4	305	250	235	200	165	150	-	-	-	250	200	160	125	100
6	SLC6	305	250	235	200	165	150	-	-	-	250	200	160	125	100
8	SLC8	305	250	235	200	165	150	-	-	-	250	200	160	125	100
10	SLC10	305	250	235	200	165	150	-	-	-	250	200	160	125	100
12	SLC12	305	250	235	200	165	150	-	-	-	250	200	160	125	100

NOTE: All packs come with ONE-LOK SLC Gland, MJ Gaskets & required # of T-Bolts

ONE-LOK™ SLC Installation Instructions

1. Clean fitting socket and pipe end. Lubricate gasket (for C-900 PVC pipe installations use a STANDARD mechanical joint gasket. A transition gasket is required if using on "IPS" PVC pipe) and pipe end with soapy water (or approved pipe lubricant meeting AWWA C111). Install ONE-LOK™ restrainer on the pipe with the lip extension facing the pipe end, followed by the gasket, tapered side toward end of pipe. Insert pipe into fitting outlet and seat the gasket firmly and evenly into the gasket cavity. Maintain a straight joint during assembly.

3. For installation on IPS O.D. PVC Pipe, **twist, break, and remove** the ABS spacers from the actuating bolts (a transition gasket is required if using on "IPS" PVC pipe). **DO NOT REMOVE SPACERS** when installing product on C900 PVC. Hand tighten all wedge bolts until complete contact of all gripping segments is made with the pipe.

2. Push the ONE-LOK gland toward the fitting and center it around the pipe with the lip evenly against the gasket. Insert the T-bolts and hand-tighten the nuts in an alternating manner maintaining an even gap between the gland and the fitting face at all points around the socket. **Repeat until all the T-bolts have been tightened to the requirements of AWWA C-600 (latest revision). Use of a torque wrench is recommended.**

4. Tighten each wedge bolt clockwise direction, **alternating between the bolts** in a star pattern until the break-off tops have been removed. Never tighten a wedge bolt more than 180 degrees before moving to the next bolt.

LOCATIONS

Northeast Region

Cream Ridge, New Jersey (HQ)

700 Goldman Drive
Cream Ridge, NJ 08514
Phone (800) 999-2550
Fax (609) 758-1158
crmcsr@sigmaco.com

REPCO

395 Boul. Labbé Nord
Victoriaville, Qc G6P 1B1
Phone (888) 744-6262
Fax (819) 758-1153
jboucher@repco.ca

Concord Supply

2353 Bowman Street
Innisfil, Ontario L9S 3V6
Phone (877) 436-3800
Fax (705) 436-6338
tanya@concordsupply.ca

Midwest Region

Sauk Village, Illinois

21699 Torrence Avenue
Sauk Village, IL 60411
Phone (888) 999-0420
Fax (708) 758-6790
chicsr@sigmaco.com

Southeast Region

Alexander City, Alabama

1500 Highway 22 W
Alexander City, AL 35010
Phone (800) 824-4513
Fax (256) 234-4956
alxcsr@sigmaco.com

Southwest Region

Houston, Texas

5000 Askins Lane
Houston, TX 77093
Phone (800) 999-0109
Fax (281) 987-0200
htncsr@sigmaco.com

Western Region

Ontario, California

4652 E. Guasti Road
Ontario, CA 91761
Phone (800) 688-6230
Fax (909) 391-2033
ontcsr@sigmaco.com

Auburn, Washington (Branch)

902 W Main Street
Auburn, WA 98001
Phone (800) 688-6230
Fax (909) 391-2033
ontcsr@sigmaco.com

www.sigmaco.com

Terms and Conditions of Sales available at our website.

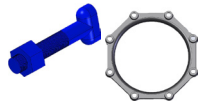
AWWA Ductile Iron Fittings



- 2-64" C153 Ductile Iron Mechanical Joint Fittings
- 2-48" C110 Ductile Iron Mechanical Joint Fittings
- 2-64" C110 Ductile Iron Flanged Fittings
- 3-24" C153 Ductile Iron Push-On Fittings
- 4-24" C110 Ductile Iron Push-On Fittings
- 3-36" Ductile Iron Mechanical Joint Connector
- C116 Fusion Bonded Epoxy Lining Available
- PROTECTO 401® Ceramic Epoxy Lining Available

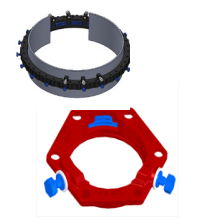
Visit our website for available special coatings. <http://www.sigmaco.com/fittings-coatings-linings/>

Mechanical Joint Accessories



- Prepackaged and Loose Mechanical Joint Accessories
- SIGMASEAL™ Improved Mechanical Joint Gasket
- Snap-On Multi-Purpose Gasket for Ductile Iron or PVC Pressure Pipes
- OMNI-SLEEVE™ Improved Wall Penetration Sleeve
- Specialty Bolts and Nuts for Mechanical Joint Assemblies

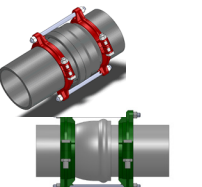
ONE-LOK™ Wedge Action Restraints



- 3-48" ONE-LOK D-SLDE Domestic Wedge Restraint for Ductile Iron Pipe
- 3-64" ONE-LOK SLDE Wedge Restraint for Ductile Iron Pipe (Import)
- 4-48" ONE-LOK T-SLDE Tandem Wedge Restraint for High Pressure Ductile Iron Pipe
- 3-36" ONE-LOK D-SLCE Domestic Wedge Restraint for PVC Pipe
- 3-60" ONE-LOK SLCE Wedge Restraint for PVC Pipe (Import)
- 3-12" ONE-LOK SLC Wedge Restraint for PVC Pipe (Import)
- 3-42" ONE-LOK SLDEH Wedge Harness Restraint for Ductile Iron Pipe
- 4-12" /16" /20" ONE-LOK SLDM Wedge Restraint for Oversized Cast Iron Pipe
- 4-36" ONE-LOK SSLD Split Wedge Restraint for Installed Ductile Iron Pipe & Fitting
- 4-36" ONE-LOK SSLDH Split Wedge Harness Restraint for Installed Ductile Iron Pipe
- 4-12" ONE-LOK SLCEH Wedge Harness Restraint for AWWA C900 PVC Pipe

Visit our website for available special coatings. <http://www.sigmaco.com/pipe-restraint-product-coatings-linings/>

PV-LOK™ Serration Lock Restraints



- 4-48" PV-LOK PWM Serrated Restraint for Ductile Iron Fitting & AWWA C900/905 PVC Pipe
- 4-48" PV-LOK PWP Serrated Bell Joint Restraint for AWWA C900/905 PVC Pipe
- 4-12" PV-LOK D-PWP Domestic Serrated Bell Joint Restraint for AWWA C900 PVC Pipe
- 4-12" PV-LOK PVPF Restraint for AWWA C900/905 PVC Pipe & PVC Fitting
- 4-12" PV-LOK PWH Serrated Harness Restraint for AWWA C900 PVC Pipe
- 2-12" PV-LOK PVM Serrated Restraint for Ductile Iron & IPS OD PVC pipe
- 2-12" PV-LOK PVP Serrated Bell Joint Restraint for IPS OD PVC Pipe
- 4-8" PV-LOK PVPF Serrated Restraint for IPS OD PVC Pipe & PVC Fitting
- 4-12" PV-LOK PWP Serrated Bell Joint Restraint for Ductile Iron Pipe

Visit our website for available special coatings. <http://www.sigmaco.com/pipe-restraint-product-coatings-linings/>

HDPE (Raven) Products



- Rotational Molded Meter Boxes & Pits
- Optional White Interior Available
- Light & Medium Duty Load Capacities
- Extensive Nationwide Inventory
- Rotational Molded Oil-Water Separators
- OEM Service Available

Municipal Construction Castings



- Manhole Rings and Covers
- Curb and Meter Boxes
- Frames and Grates
- Storm Inlets
- Valve Boxes, Risers, and Extensions

Products for the Ductile Iron Fabricator



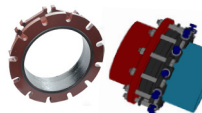
- 3-64" High Hub Threaded Flanges
- 3-48" Tapped High Hub Threaded Flanges
- 3-36" Extra Heavy 250lb Drilled Threaded Flanges
- 3-48" Threaded MJ Bell Adapters
- 3-48" MJ x PE Bell adapter
- 3-48" Anchor Flanges
- 3-16" Filler Flanges

Extended Range Products



- Flange-Pak™ Prepackaged Flange Accessory Sets
- Polyethylene Encasement for Ductile Iron Pipe
- Copper Tubing Products
- Tracer Wire & Detectable/Non-Detectable Marking Tape
- Pipe Joint Lubricant & Hydraulic Cement
- Socket Clamps and Tie Rod Accessories
- Boxlok Valve Box Alignment Device
- Cast Iron Companion Flanges

Flange Adapters



- 3-36" SIGMAFLANGE Flange Adapter Sleeve for PVC and Ductile Iron Pipe
- 2-48" ZIP FLANGE Set Screw Style Flange Adapter
- 3-12" SIGMAFLANGE Universal Joint for Flanged Fittings, Flanged Pipes & Valves