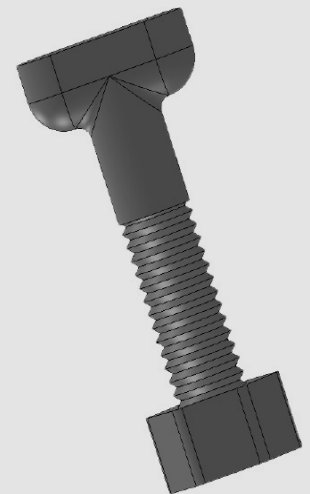
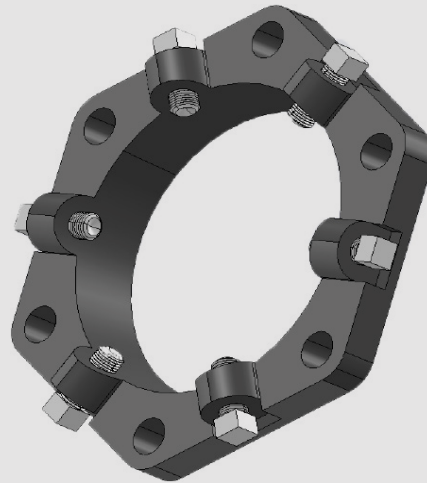
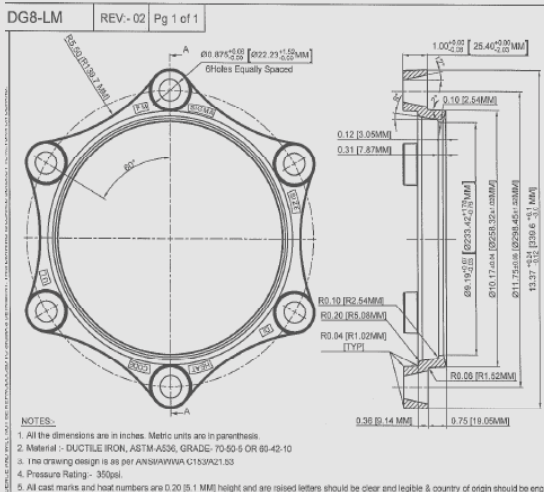


## Accessory Products

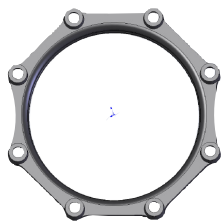


- Ductile Iron Set Screw Retainer Glands
- Mechanical Joint And Transition Gaskets
- Mechanical Joint Glands
- Mechanical Joint T-Bolts And Nuts
- Prepackaged Mechanical Joint Accessories
- SIGMASEAL™ Improved MJ Gasket

# Accessory Products

## Mechanical Joint Compact Fittings Accessories

Ductile Iron Class 350 as per ANSI/AWWA C153/A21.53



### MJ Glands

Size	Item No.	Wt.
2	DG2	2
3	DG3	4
4	DG4	5
6	DG6	6
8	DG8	7
10	DG10	10
12	DG12	15
14	DG14	23
16	DG16	28
18	DG18	30
20	DG20	43
24	DG24	50
30	DG30	85
36	DG36	115
42	DG42	180
48	DG48	275

### MJ Gland Packs

Size	Item No.	Wt.
2	DGP2	6
3	DGP3	7
4	DGP4	8
6	DGP6	12
8	DGP8	15
10	DGP10	20
12	DGP12	25
14	DGP14	37
16	DGP16	43
18	DGP18	47
20	DGP20	61
24	DGP24	72
30	DGP30	117
36	DGP36	157
42	DGP42	255
48	DGP48	361

Includes: Gland, MJ Gasket, and Standard Tee Bolts & Nuts

### MJ Gaskets & MJ Transition Gasket

Size	Item No.	Wt.	Item No.	Wt.
2	MG2			
3	MG3	0.25	TG3	0.50
4	MG4	0.30	TG4	0.60
6	MG6	0.50	TG6	0.75
8	MG8	0.75	TG8	1.10
10	MG10	0.80	TG10	1.30
12	MG12	1.00	TG12	1.65
14	MG14	1.30	TG14	
16	MG16	1.45	TG16	
18	MG18	1.60		
20	MG20	1.90		
24	MG24	2.10		
30	MG30	2.30		
36	MG36	2.75		
42	MG42	3.20		
48	MG48	3.65		

TG14-TG16 are not standard and AWWA TG14-TG16 are not pressure rated

### MJ Retainer Glands

Pipe Size	Item No.	Wt.	IRON PIPE O.D	Rating (psi)	Qty	Size	Torque (ft-lbs)
3	RMG3	5	3.96	350	4	5/8 X 2	85
4	RMG4	7	4.80	350	4	5/8 X 2	85
6	RMG6	12	6.90	350	6	5/8 X 2	85
8	RMG8	16	9.05	250	9	5/8 X 2	85
10	RMG10	22	11.10	250	16	5/8 X 2	85
12	RMG12	28	13.20	250	16	5/8 X 2	85
14	RMG14	45	15.30	250	20	5/8 X 2	85
16	RMG16	52	17.40	250	24	5/8 X 2	85
18	RMG18	62	19.50	200	24	5/8 X 2	85
20	RMG20	75	21.60	200	28	3/4 X 2-1/2	110
24	RMG24	97	25.80	200	32	3/4 X 2-1/2	110
30	RMG30	196	32.00	100	40	3/4 X 2-1/2	110
36	RMG36	246	38.30	100	48	3/4 X 2-1/2	110
42	RMG42	302	44.50	100	56	3/4 X 2-1/2	110
48	RMG48	380	50.80	100	64	3/4 X 2-1/2	110

RGP (Retainer gland pack)

Available in packs: Packs include RMG, T-Bolts and MG



Material: DI 65-45-12

Material of Set Screws: Low alloy carbon steel

## Packaged Accessories

Quality – Service – Commitment – Delivered.

### Retainer Gland Pack - Includes Gland, MJ Gasket and Std. T-Head Bolts

Size	Item No.	Wt.
3	RGP3	9
4	RGP4	10
6	RGP6	15
8	RGP8	19
10	RGP10	25
12	RGP12	32

### Gland Pack - Includes Gland, MJ Transition Gasket and Std. T-Head Bolts

Size (in.)	Item No.	Wt. (lb.)
3	DXP3	7
4	DXP4	8
6	DXP6	12
8	DXP8	15
10	DXP10	20
12	DXP12	25

### MJ Bolt & Gasket (Less Gland)

Size (in.)	Item No.	Wt. (lb.)
2	MGP2	2
3	MGP3	3
4	MGP4	4
6	MGP6	6
8	MGP8	7
10	MGP10	8
12	MGP12	9
14	MGP14	11
16	MGP16	12
18	MGP18	12.32
20	MGP20	14.25
24	MGP24	17.30
30	MGP30	40
36	MGP36	40
42	MGP42	76
48	MGP48	101

### MJ Transition Bolt & Gasket Pack (Less Gland)

Size (in.)	Item No.	Wt. (lb.)
2	TGP2	1
3	TGP3	3
4	TGP4	4
6	TGP6	6
8	TGP8	7
10	TGP10	8
12	TGP12	9

### SIGMA SEAL MJ Gasket

Size (in.)	Item No.	Wt. (lb.)
3	MGS3	1.0
4	MGS4	.42
6	MGS6	.55
8	MGS8	.76
10	MGS10	.93
12	MGS12	1.02
14	MGS14	1.00
16	MGS16	1.00
18	MGS18	2.00
20	MGS20	2.00
24	MGS24	2.00
30	MGS30	4.2
36	MGS36	4.00
42	MGS42	5.00
48	MGS48	6.00

### MJxSDR35 Transition Gasket

Size	Item No.	Wt.
4	TSG04	0.66
6	TSG06	0.90
8	TSG08	1.22
10	TSG10	1.4
12	TSG12	1.8

## High-Strength, Low Alloy Steel T-Head Bolts

### Standard Bolts

Size (in.)	Item No.	Wt. (lb.)
5/8x3	TB30	.50
3/4x3 1/2	TB35	.75
3/4x4	TB40	.85
3/4x4 1/2	TB45	1.00
3/4x5	TB50	1.25
1x5	TB60	1.25
1x6	TB61	2.25
1 1/4x6	TB65	2.50
1 1/4x6 1/2	TB65	4.00
3/4x7	TB70	.63
1x8	TB80	3.00
3/4x9	TB90	.72

### Anti-Rotation Bolts

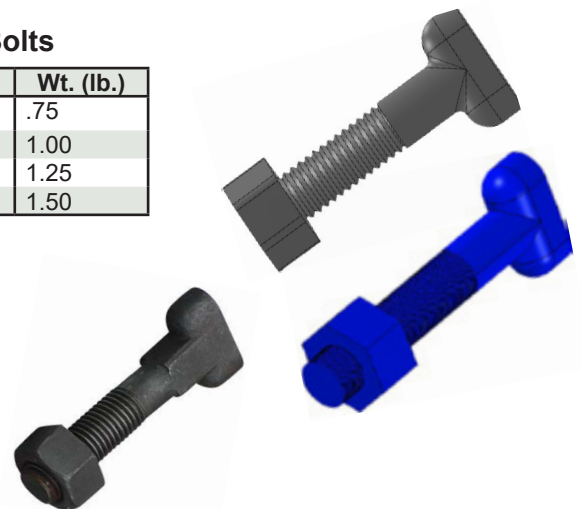
Size (in.)	Item No.	Wt. (lb.)
3/4X3 1/2	ATB35	.75
3/4X4	ATB40	1.00
3/4X4 1/2	ATB45	1.25
3/4X5	ATB50	1.50

Material: Corten ASTM A242 – Standard, Anti-Rotation T-Bolts  
Finish: Bare plain finish with antirust corrosion preventative coating

Sigma also offer other materials, coatings & sizes  
SS 304,316

Fluoropolymer, Galvanized, Plated

Please contact your territory representative for more information and submittals



## LOCATIONS

### Northeast Region

**Cream Ridge, New Jersey (HQ)**  
700 Goldman Drive  
Cream Ridge, NJ 08514  
Phone (800) 999-2550  
Fax (609) 758-1158  
crmcscr@sigmaco.com

### REPCO

395 Boul. Labbé Nord  
Victoriaville, Qc G6P 1B1  
Phone (888) 744-6262  
Fax (819) 758-1153  
jbourcher@repcoc.ca

### Concord Supply

2353 Bowman Street  
Innisfil, Ontario L9S 3V6  
Phone (877) 436-3800  
Fax (705) 436-6338  
tanya@concordsupply.ca

### Midwest Region

**Sauk Village, Illinois**  
21699 Torrence Avenue  
Sauk Village, IL 60411  
Phone (888) 999-0420  
Fax (708) 758-6790  
chicscr@sigmaco.com

### Southeast Region

**Alexander City, Alabama**  
1500 Highway 22 W  
Alexander City, AL 35010  
Phone (800) 824-4513  
Fax (256) 234-4956  
alxcscr@sigmaco.com

### Southwest Region

**Houston, Texas**  
5000 Askins Lane  
Houston, TX 77093  
Phone (800) 999-0109  
Fax (281) 987-0200  
htncscr@sigmaco.com

### Western Region

**Ontario, California**  
4652 E. Guasti Road  
Ontario, CA 91761  
Phone (800) 688-6230  
Fax (909) 391-2033  
ontcsr@sigmaco.com

### Auburn, Washington (Branch)

902 W Main Street  
Auburn, WA 98001  
Phone (800) 688-6230  
Fax (909) 391-2033  
ontcsr@sigmaco.com

## AWWA Ductile Iron Fittings



- 2-64" C153 Ductile Iron Mechanical Joint Fittings
- 2-48" C110 Ductile Iron Mechanical Joint Fittings
- 2-64" C110 Ductile Iron Flanged Fittings
- 3-24" C153 Ductile Iron Push-On Fittings
- 4-24" C110 Ductile Iron Push-On Fittings
- 3-36" Ductile Iron Mechanical Joint Connector
- C116 Fusion Bonded Epoxy Lining Available
- PROTECTO 401® Ceramic Epoxy Lining Available

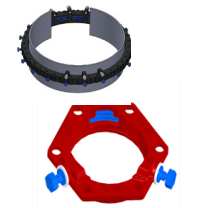
Visit our website for available special coatings. <http://www.sigmaco.com/fittings-coatings-linings/>

## Mechanical Joint Accessories



- Prepackaged and Loose Mechanical Joint Accessories
- SIGMASEAL™ Improved Mechanical Joint Gasket
- Snap-On Multi-Purpose Gasket for Ductile Iron or PVC Pressure Pipes
- OMNI-SLEEVE™ Improved Wall Penetration Sleeve
- Specialty Bolts and Nuts for Mechanical Joint Assemblies

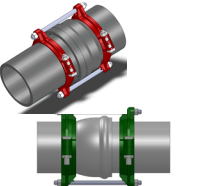
## ONE-LOK™ Wedge Action Restraints



- 3-48" ONE-LOK D-SLDE Domestic Wedge Restraint for Ductile Iron Pipe
- 3-64" ONE-LOK SLDE Wedge Restraint for Ductile Iron Pipe (Import)
- 4-48" ONE-LOK T-SLDE Tandem Wedge Restraint for High Pressure Ductile Iron Pipe
- 3-36" ONE-LOK D-SLCE Domestic Wedge Restraint for PVC Pipe
- 3-36" ONE-LOK SLCE Wedge Restraint for PVC Pipe (Import)
- 3-36" ONE-LOK SLDEH Wedge Harness Restraint for Ductile Iron Pipe
- 4-12" / 20" ONE-LOK SLDM Wedge Restraint for Oversized Cast Iron Pipe
- 4-36" ONE-LOK SSLD Split Wedge Restraint for Installed Ductile Iron Pipe & Fitting
- 4-36" ONE-LOK SSLDH Split Wedge Harness Restraint for Installed Ductile Iron Pipe
- 4-12" ONE-LOK SLCEH Wedge Harness Restraint for AWWA C900 PVC Pipe

Visit our website for available special coatings. <http://www.sigmaco.com/pipe-restraint-product-coatings-linings/>

## PV-LOK™ Serration Lock Restraints



- 4-48" PV-LOK PWM Serrated Restraint for Ductile Iron Fitting & AWWA C900/905 PVC Pipe
- 4-48" PV-LOK PWP Serrated Bell Joint Restraint for AWWA C900/905 PVC Pipe
- 4-12" PV-LOK D-PWP Domestic Serrated Bell Joint Restraint for AWWA C900 PVC Pipe
- 4-48" PV-LOK PVPF Restraint for AWWA C900/905 PVC Pipe & PVC Fitting
- 4-12" PV-LOK PWH Serrated Harness Restraint for AWWA C900 PVC Pipe
- 2-12" PV-LOK PVM Serrated Restraint for Ductile Iron & IPS OD PVC pipe
- 2-12" PV-LOK PVP Serrated Bell Joint Restraint for IPS OD PVC Pipe
- 4-8" PV-LOK PVPF Serrated Restraint for IPS OD PVC Pipe & PVC Fitting
- 4-12" PV-LOK PWP Serrated Bell Joint Restraint for Ductile Iron Pipe

## HDPE (Raven) Products



- Rotational Molding Meter Boxes & Pits
- Optional White Interior Available
- Light & Medium Duty Load Capacities
- Extensive Nationwide Inventory
- Rotational Molding Oil-Water Separators
- OEM Service Available

## Municipal Construction Castings



- Manhole Rings and Covers
- Curb and Meter Boxes
- Frames and Grates
- Storm Inlets
- Valve Boxes, Risers, and Extensions

## Products for the Ductile Iron Fabricator



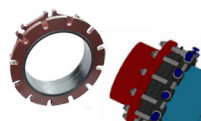
- 3-64" High Hub Threaded Flanges
- 3-48" Tapped High Hub Threaded Flanges
- 3-36" Extra Heavy 250lb Drilled Threaded Flanges
- 3-48" Threaded MJ Bell Adapters
- 3-48" MJ x PE Bell adapter
- 3-48" Anchor Flanges
- 3-16" Filler Flanges

## Extended Range Products



- Flange-Pak™ Prepackaged Flange Accessory Sets
- Polyethylene Encasement for Ductile Iron Pipe
- Copper Tubing Products
- Tracer Wire & Detectable/Non-Detectable Marking Tape
- Pipe Joint Lubricant & Hydraulic Cement
- Socket Clamps and Tie Rod Accessories
- Boxlok Valve Box Alignment Device
- Cast Iron Companion Flanges

## Flange Adapters



- 3-36" SIGMAFLANGE Flange Adapter Sleeve for PVC and Ductile Iron Pipe
- 2-48" ZIP FLANGE Set Screw Style Flange Adapter
- 3-12" SIGMAFLANGE Universal Joint for Flanged Fittings, Flanged Pipes & Valves

[www.sigmaco.com](http://www.sigmaco.com)

Terms and Conditions of Sales available at our website.

TRIM-TYTON and TYTON are registered trademarks of the United States Pipe and Foundry Company • PROTECTO 401 is a registered trademark of Induron, Inc.