



Quality – Service – Commitment – Delivered.

MAXI150



6" [150] WIDE THROAT TRENCH DRAIN SYSTEM WITH DUCTILE IRON FRAME

Dimensional Data (inches and [mm]) are Subject to Manufacturing Tolerances and Change Without Notice

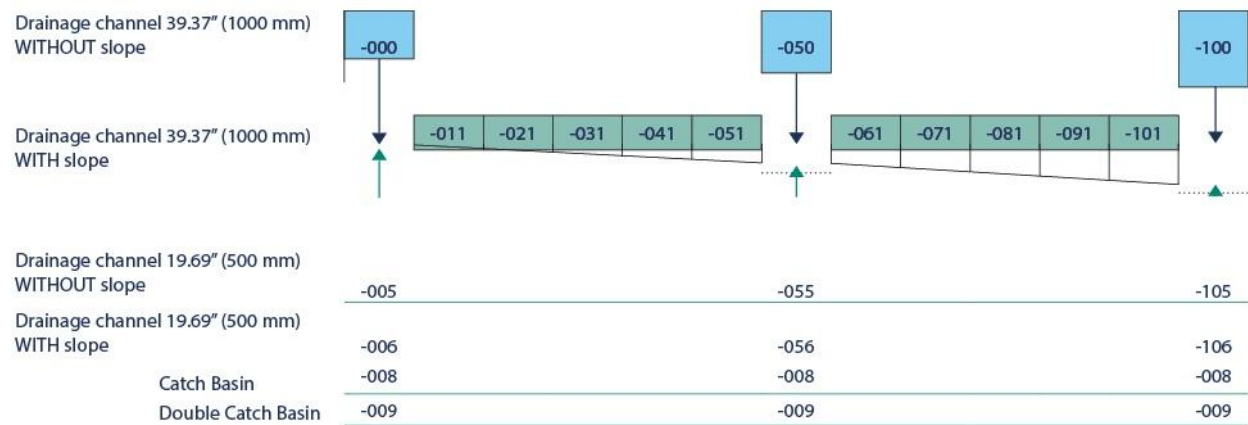
ENGINEERING SPECIFICATION: HYDROTEC MAXI150 Channels shall be 39.37" [1000] long, 8.19" [208] wide reveal and have a 5.91" [150] wide throat. Modular channel sections shall be made of fiber-reinforced concrete C35/45. Shall have a male/female connection between channel sections that will not separate during the installation. Channels shall have a radiused self-cleaning bottom and 1% or neutral 0% built in slope. Channels shall have Ductile Iron Edge Rails built into the fiber-reinforced concrete. Channels shall have all grates locked down as per HYDROTEC's patented locking mechanism whereby the polyamide rod is pushed and locked underneath the grate.

MAXI 5.91" [150] wide throat **Ductile Iron ADA Grate is rated class D** per the DIN EN1433 top load classifications. Ductile Iron conforms to ASTM specification A536-84, Grade 80-55-06. Supplied in 39.37" [1000] or 19.69" [500] nominal lengths with 0.94/0.47 [24/12] wide slots. Grate has an open area of 34.77 sq. in per ft. [73,600 sq.mm per meter].

MAXI 5.91" [150] wide throat **Ductile Iron ADA Grate is rated class E** per the DIN EN1433 top load classifications. Ductile Iron conforms to ASTM specification A536-84, Grade 80-55-06. Supplied in 39.37" [1000] or 19.69" [500] nominal lengths with 1.18/1.1 [30/23] wide slots. Grate has an open area of 40.63 sq. in per ft. [86,006 sq.mm per meter].

MAXI 5.91" [150] wide throat **Ductile Iron ADA Grate is rated class F** per the DIN EN1433 top load classifications. Ductile Iron conforms to ASTM specification A536-84, Grade 80-55-06. Supplied in 39.37" [1000] or 19.69" [500] nominal lengths with 0.94/0.47 [24/12] wide slots. Grate has an open area of 34.77 sq. in per ft. [73,600 sq.mm per meter].

Guide to Pre-Sloped Modular System

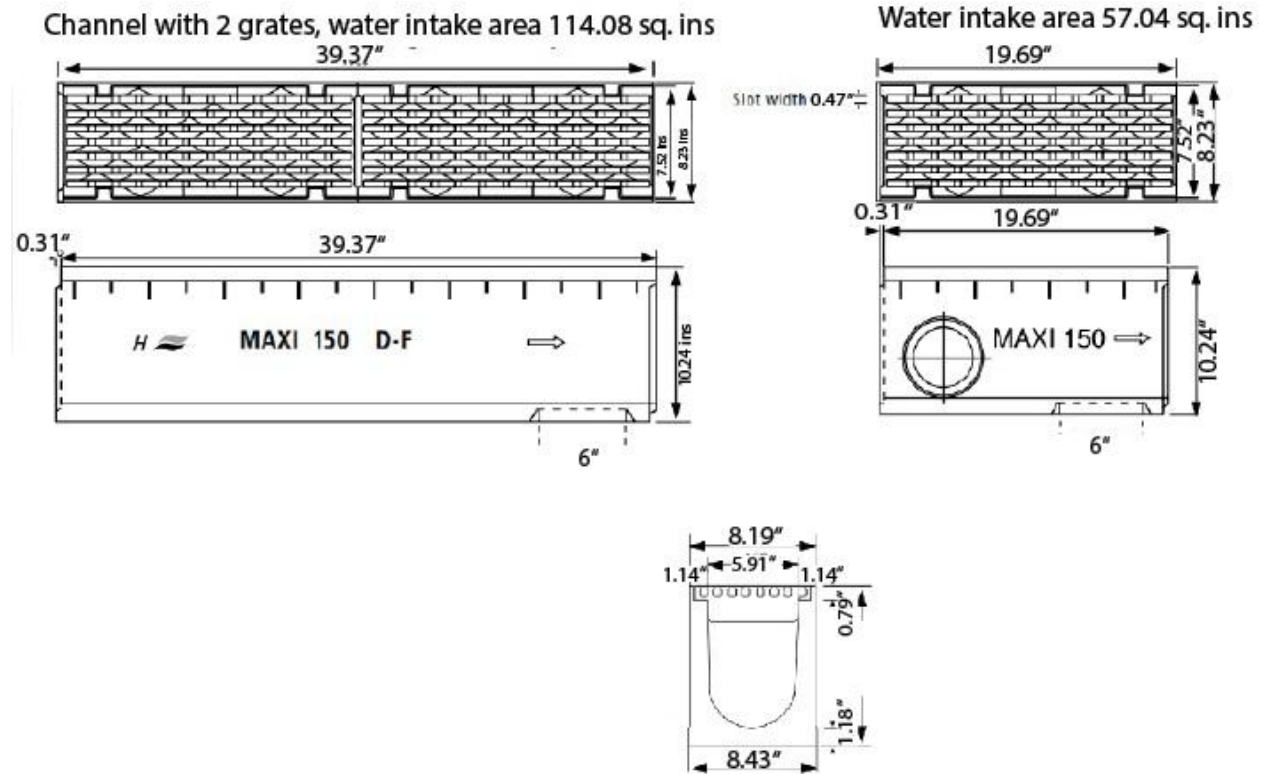


MAXI150 Parts Guide

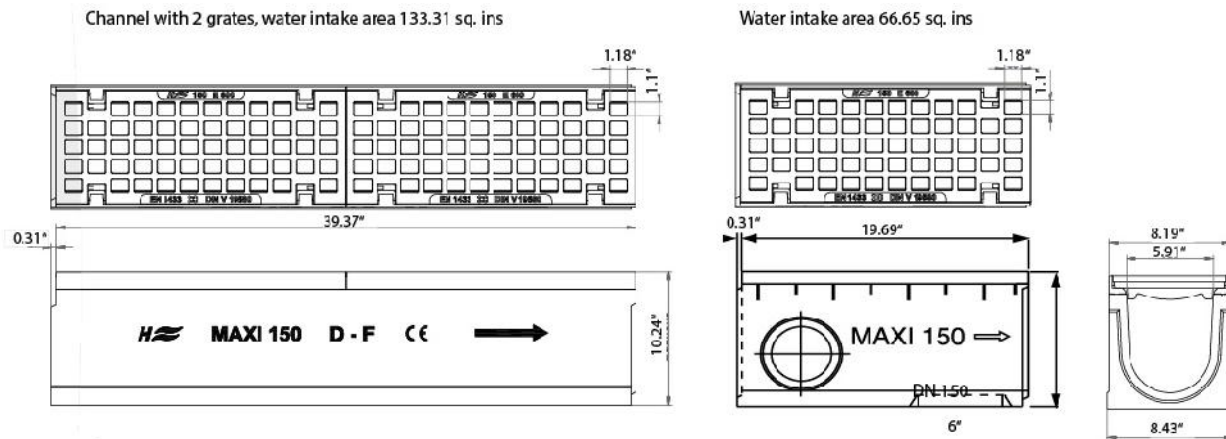
Product Description	With Ductile Iron ADA Class D Grate Part No.	Weight Lbs	With Ductile Iron Class E Grate Part No.	Weight Lbs	With Ductile Iron ADA Class F Grate Part No.	Weight Lbs	'A' Shallow Invert Inches [mm]	'B' Shallow Invert Inches [mm]
Neutral Channel 39.37" (1m)	CHG61540-000	169.76	CHG62150-000	169.76	CHG61560-000	169.76	8.27"[210]	8.27"[210]
Neutral Channel 19.69" (0.5m)	CHG61540-005	80.47	CHG62150-005	80.47	CHG61560-005	84.66	8.27"[210]	8.27"[210]
M1 Sloped Channel 39.37" (1m)	CHG61540-011	164.24	CHG62150-011	164.24	CHG61560-011	173.28	8.27"[210]	8.66"[220]
M2 Sloped Channel 39.37" (1m)	CHG61540-021	167.11	CHG62150-021	167.11	CHG61560-021	175.71	8.66"[220]	9.06"[230]
M3 Sloped Channel 39.37" (1m)	CHG61540-031	170.64	CHG62150-031	170.64	CHG61560-031	179.68	9.06"[230]	9.45"[240]
M4 Sloped Channel 39.37" (1m)	CHG61540-041	175.27	CHG62150-041	175.27	CHG61560-041	180.78	9.45"[240]	9.84"[250]
M5 Sloped Channel 39.37" (1m)	CHG61540-051	176.37	CHG62150-051	176.37	CHG61560-051	182.98	9.84"[250]	10.23"[260]
Neutral Channel 39.37" (1m)	CHG61540-050	185.19	CHG62150-050	185.19	CHG61560-050	185.19	10.23"[260]	10.23"[260]
Neutral Channel 19.69" (0.5m)	CHG61540-055	89.29	CHG62150-055	89.29	CHG61560-055	91.05	10.23"[260]	10.23"[260]
M6 Sloped Channel 39.37" (1m)	CHG61540-061	181.00	CHG62150-061	181.00	CHG61560-061	186.73	10.23"[260]	10.63"[270]
M7 Sloped Channel 39.37" (1m)	CHG61540-071	182.54	CHG62150-071	182.54	CHG61560-071	194.67	10.63"[270]	11.02"[280]
M8 Sloped Channel 39.37" (1m)	CHG61540-081	186.29	CHG62150-081	186.29	CHG61560-081	191.14	11.02"[280]	11.42"[290]
M9 Sloped Channel 39.37" (1m)	CHG61540-091	188.94	CHG62150-091	188.94	CHG61560-091	198.20	11.42"[290]	11.81"[300]
M10 Sloped Channel 39.37" (1m)	CHG61540-101	194.01	CHG62150-101	194.01	CHG61560-101	198.42	11.81"[300]	12.20"[310]
Neutral Channel 39.37" (1m)	CHG61540-100	194.01	CHG62150-100	194.01	CHG61560-100	198.42	12.20"[310]	12.20"[310]
Neutral Channel 19.69" (0.5m)	CHG61540-105	98.11	CHG62150-105	98.11	CHG61560-105	99.21	12.20"[310]	12.20"[310]
Catch Basin 19.69" (0.5m)	CHG61540-008	143.30	CHG62150-008	143.30	CHG61560-008	143.30	19.69"[500]	19.69"[500]

ACCESSORIES MAXI150	Part. No
End Cap for MAXI150 (Open & Closed): 1 plastic part to close MAXI150 trench drains of all depths that can be cut to connect 6" pipes	CHG70011-51
6" Pipe Connection (PVC) for all MAXI150	CHG70021-50

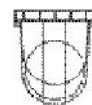
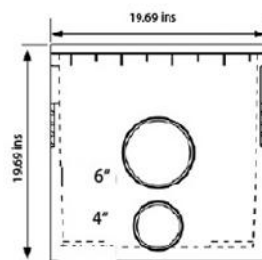
MAXI150 with Ductile Iron ADA Load Class D (Part No. CHG61540-*) and ADA Load Class F (Part No. CHG61560-*)



MAXI150 with Ductile Iron Class E Grate: Part No. CHG62150-*



Catch Basin and End Caps for All MAXI150



Open or Closed End Cap (Plastic)
For All channels
Part.No.: CHG70011-51

Catch Basin
incl. galvanized dirt
catcher naco.com