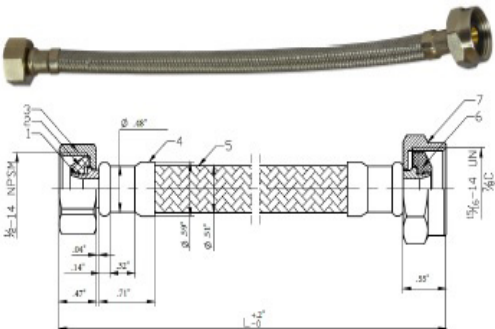
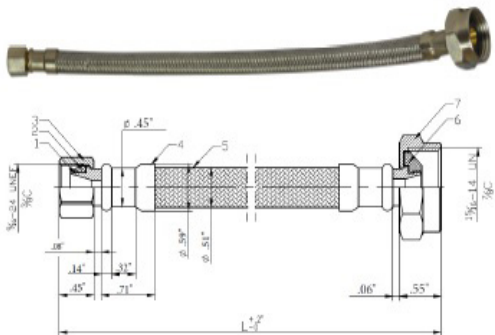
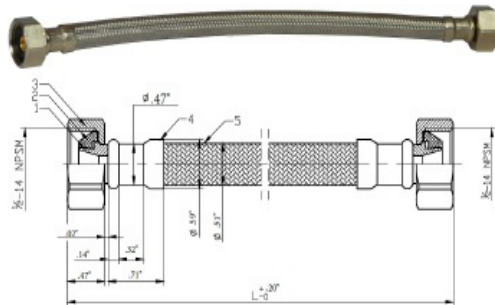
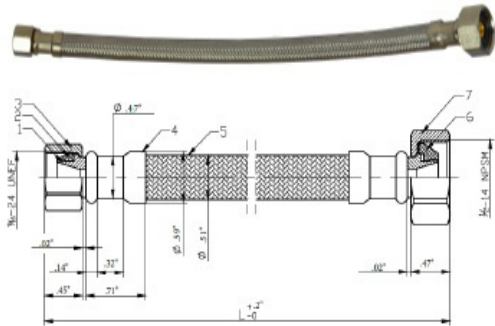


Faucet & Closet Supply Lines

Lead Free*



Part #	Length	Description	Inner Carton Quantity	Master Carton Quantity
1/2" FIP x 3/8" Comp.				
M1F12	12"	SS Braided Lav / Sink Connector	25	100
M1F16	16"	SS Braided Lav / Sink Connector	25	100
M1F20	20"	SS Braided Lav / Sink Connector	25	100
M1F24	24"	SS Braided Lav / Sink Connector	25	100
M1F30	30"	SS Braided Lav / Sink Connector	25	100
1/2" FIP x 1/2" FIP				
M3F12	12"	SS Braided Lav / Sink Connector	25	100
M3F20	20"	SS Braided Lav / Sink Connector	25	100
7/8" Ballcock x 3/8" Comp.				
M1T12	12"	SS Braided Closet Connector	25	100
M1T16	16"	SS Braided Closet Connector	25	100
M1T20	20"	SS Braided Closet Connector	25	100
7/8" Ballcock x 1/2" FIP				
M3T12	12"	SS Braided Closet Connector	25	100

Figure Number	Part Name	Material
1	Barb	LF Brass (C46500)
2	Washer	EPDM Rubber
3	Nut	Brass
4	Ferrule	304 Stainless Steel
5	Hose	304 SS over Re-inforced PVC
6	Waher	EPDM Rubber
7	Nut	Brass

NSF/ANSI 61



* Lead Free refers to the wetted surface of pipe, fittings, and fixtures in potable water systems that have a weighted average lead content ≤.25% per the Safe Drinking Water Act (Sec. 1417) amended 1-4-2011 and other equivalent state regulations.