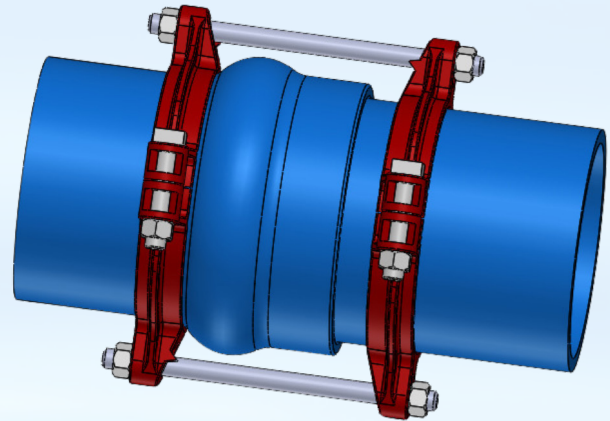


PV-LOK™ MODEL PWP SERRATED BELL JOINT RESTRAINT FOR C900 PVC PIPE

Project Name: Engineer:	Contractor: Spec Section:	Date
--	--	-------------

Optional Specifications

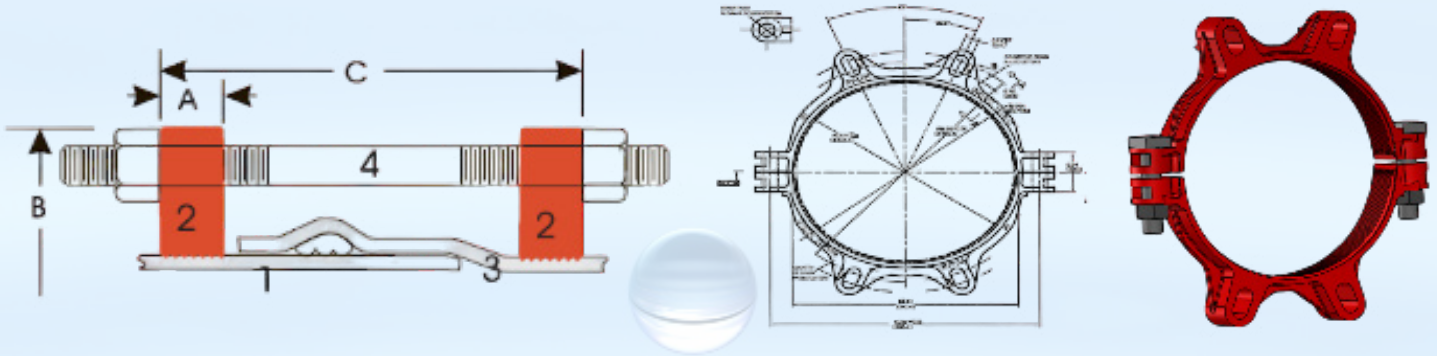
Restraining Rod & Nuts	High Strength, Low Alloy Steel (HSLA) <i>(In accordance with ANSI/AWWA C111/A21.11)</i>
	Stainless Steel ___Type 304 ___Type 316
	Blue Fluoropolymer
	Other- Specify
Coating	Red Alkyd paint
	Electro-deposition " CORRSAFETM "



Product Specifications

Material:	Machine-serrated clamping ring is manufactured of high strength ductile iron in accordance with ASTM A536, Grade 65-45-12. Side clamping hex bolts and hex nuts are manufactured of high strength steel in accordance with ASTM A449 and Zinc plated to B663, Type III Sec.1 for corrosion resistance.
Pressure Rating:	Equal to the water working pressure rating of the pipe on which it is installed.
Factor of Safety:	2:1
Size Range:	4" - 48"
Approvals:	Factory Mutual approved in sizes 4"-10".
Deflection:	Maintains the allowable nominal deflection within the PVC pipe manufacturer recommendation for AWWA C900 PVC pipe bell.
Dimension:	Conform to ANSI/AWWA C900 standard
Traceability:	Machine-serrated clamping rings are individually cast with exact heat code information.
Installations:	In accordance with manufacturer's recommendation and applicable AWWA standards.

PV-LOK™ MODEL PWP SERRATED BELL JOINT RESTRAINT FOR C900 PVC PIPE



PV-LOK™ Model PWP for PVC Pipe Specifications

Nom Pipe Size	Wgt	PVC Pipe w/ DI Pipe OD	Dimensions			BCD		Restraining Rods		Nuts for Restraining Rods		Clamping Bolts		
			A	B	C (Max)	Max	Min	Qty	Size	Qty	Size	Qty	Size	Min Torque
4	14.36	4.8	1.2	9	13	7.5	7.12	2	3/4x15	4	3/4	4	5/8x3 3/8	85
6	16.44	6.9	1.2	11.52	13	9.26	9.26	2	3/4x18	4	3/4	4	5/8x3 3/8	85
8	27	9.05	1.75	12.81	13	11.5	11.5	2	3/4x18	4	3/4	4	3/4x3 7/8	100
10	44.4	11.1	1.75	16.88	16	13.76	13.76	4	3/4x24	8	3/4	4	7/8x4 3/8	125
12	50.64	13.2	1.75	19.12	22	16.00	16.00	4	3/4x24	8	3/4	4	7/8x4 3/8	125
14	101.61	15.3	3.5	21.1	22	17.6	17.6	6	3/4x30	12	3/4	8	7/8x6 1/4	130
16	115.15	17.4	3.5	23.58	22	20.0	20.0	6	3/4x30	12	3/4	8	7/8x6 1/4	130
18	164.97	19.5	4.25	25.8	22	22.2	22.2	8	3/4x30	16	3/4	8	1.00x6 1/4	130
20	234.5	21.6	5	29.06	22	24.70	24.70	8	3/4x36	16	3/4	8	1-1/4x6-1/2	130
24	288.5	25.8	5	34.64	22	29.72	29.72	10	3/4x36	20	3/4	8	1-1/4x6-1/2	130
30	463.75	32	5.5	41.8	38	36.76	36.76	10	1x40	20	1	8	1-1/4x8-1/2	130
36	520.4	38.3	5.5	49.04	38	43.52	43.52	12	1x40	24	1	8	1-1/4x8-1/2	130
42	983.76	44.5	6.26	57.18	46	50.62	50.62	16	1 1/4x48	32	1 1/4	8	1 1/2x9	175
48	1058.5	50.8	6.26	63.48	46	56.92	56.92	16	1 1/4x48	32	1 1/4	24	1 1/2x9	175

All dimensions are in inches

[View Catalog](#)