

# C110 DUCTILE IRON MECHANICAL JOINT FITTINGS



## C110 DUCTILE IRON MECHANICAL JOINT FITTINGS

### BASIC SPECIFICATIONS

- SIZES:**
- 2" - 48"
- MATERIAL:**
- Ductile Iron ASTM A536, Grade 65-45-12, 60-42-10 or 70-50-05.
- PRESSURE:**
- 350 PSI Water Working Pressure 2" - 24".
  - 250 PSI Water Working Pressure 30" - 48".
- TESTING:**
- In accordance with ANSI/AWWA C110/A21.10
  - In accordance with UL - FM requirements.
  - All fittings are hydrostatically tested in accordance with SIGMA Quality Management Standard.
  - All fittings are heat coded to ensure traceability and verification of metallurgical properties in accordance with the prevailing standards and SIGMA Quality Management Standards.
- LAYING LENGTH:**
- In accordance with ANSI / AWWA C110/A21.10.
- DEFLECTION:**
- Maximum allowable deflection for MJ Joint is as mentioned below:
    1. 3" - 4" = 8 Degrees
    2. 6" = 7 Degrees
    3. 8" - 12" = 5 Degrees
    4. 14" - 48" = 3 Degrees
- CEMENT LINING:**
- Double cement lined in accordance with ANSI/AWWA C104 / A21.4.
- COATING:**
- Interior of fitting is seal coated (asphaltic material) in accordance with ANSI/AWWA C104/A21.4 and NSF61 approved.
  - Exterior of fitting is seal coated (asphaltic material) in accordance with ANSI/AWWA C110/A21.10 and NSF61 approved.
- GASKETS:**
- SBR in accordance with ANSI/AWWA C111/A21.11.
  - Also available in EPDM, NBR and CR.
- T-BOLTS:**
- Low Alloy corrosion resistant high strength steel in accordance with ANSI/AWWA C111/A21.11.
- APPROVALS:**
- 3"-16" Underwriters Laboratories listed and Factory Mutual Approved.
- STANDARDS:**
- Certified to NSF61 Standard including Annex G & 372.
  - ANSI / AWWA C110/A21.10 for Full Body Ductile Iron Fittings 2"-48" for water and other liquids.
- INSTALLATION:**
- Per ANSI/AWWA C600 and C111 using DIP conforming to C150/C151 and PVC pipe conforming to C900/C905.

# C110 DUCTILE IRON MECHANICAL JOINT FITTINGS

## **INDEX**

### **BENDS**

|                             |    |
|-----------------------------|----|
| 1/4 90° Bends .....         | 4  |
| 1/8 45° Bends .....         | 4  |
| 1/16 22 1/2° Bends .....    | 5  |
| 1/32 11 1/4° Bends .....    | 5  |
| 90° Bends MJ X Flange ..... | 10 |
| 45° Bends MJ X Flange ..... | 10 |
| Adapters: MJ X Flange ..... | 10 |

### **TEES**

|                        |     |
|------------------------|-----|
| Tees and Crosses ..... | 6-7 |
| Hydrant Tees .....     | 8   |
| MJ X Flange Tees ..... | 8   |

|                                |       |
|--------------------------------|-------|
| <b>WYES 45° LATERALS</b> ..... | 11-12 |
|--------------------------------|-------|

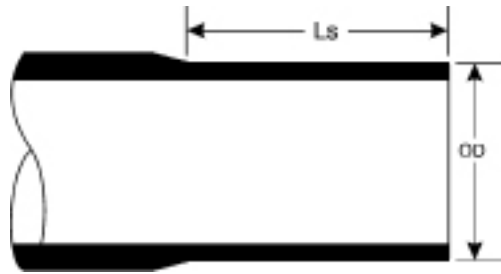
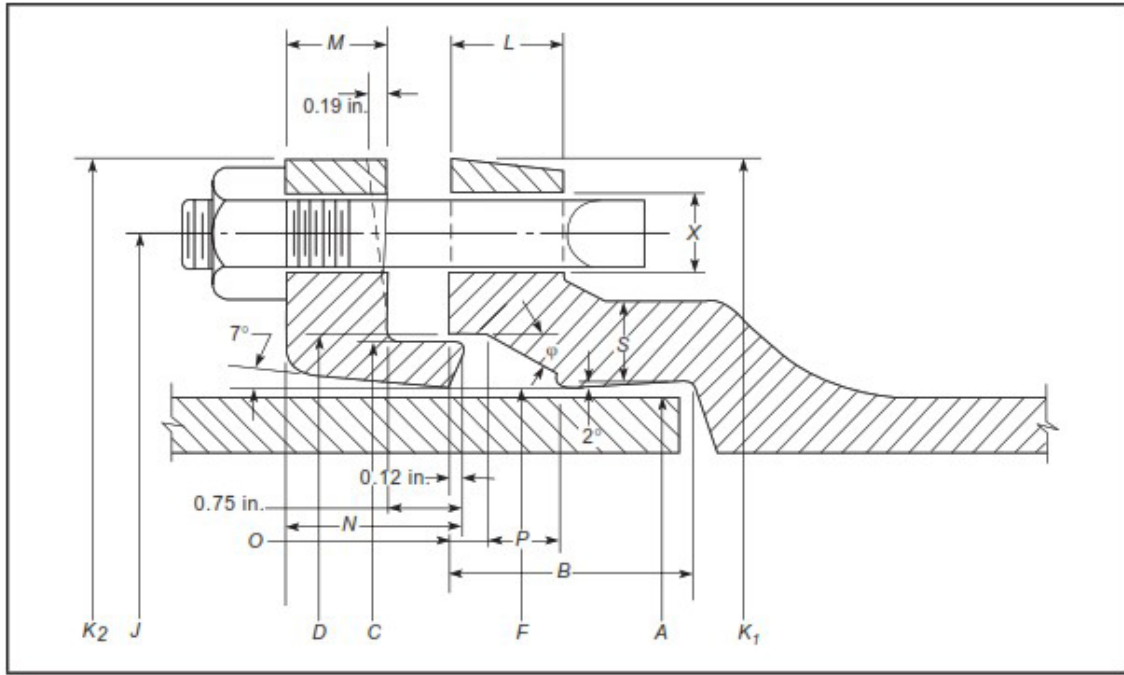
|  |    |
|--|----|
| <b>REDUCERS:</b> XMR, XSPR, XLPR, XPPR ..... | 9  |
| MJ X Flange Reducer .....                    | 10 |
| Eccentric Reducer .....                      | 11 |

|                      |    |
|----------------------|----|
| <b>OFFSETS</b> ..... | 12 |
|----------------------|----|

|                           |    |
|---------------------------|----|
| <b>LATERAL WYES</b> ..... | 13 |
|---------------------------|----|

|                                |    |
|--------------------------------|----|
| <b>SLEEVES:</b> XMS, XML ..... | 11 |
| XMML .....                     | 11 |

|   |    |
|---|----|
| <b>CAPS AND PLUGS:</b> XMK, XTK, XMP, XTP, XMMP ..... | 14 |
|---|----|



**Plain End**

**Mechanical Joint Details Ductile Iron**

| Size | A     | B    | C     | D     | F     | J     | K1    | K2    | L    | M    | N    | O    | P    | S    | X     |
|------|-------|------|-------|-------|-------|-------|-------|-------|------|------|------|------|------|------|-------|
| 3    | 3.96  | 2.50 | 4.84  | 4.94  | 4.06  | 6.19  | 7.69  | 7.69  | 0.94 | 0.62 | 1.37 | 0.31 | 0.63 | 0.52 | 3/4   |
| 4    | 4.80  | 2.50 | 5.92  | 6.02  | 4.90  | 7.50  | 9.12  | 9.12  | 1.00 | 0.75 | 1.50 | 0.31 | 0.75 | 0.65 | 7/8   |
| 6    | 6.90  | 2.50 | 8.02  | 8.12  | 7.00  | 9.50  | 11.12 | 11.12 | 1.06 | 0.88 | 1.63 | 0.31 | 0.75 | 0.70 | 7/8   |
| 8    | 9.05  | 2.50 | 10.17 | 10.27 | 9.15  | 11.75 | 13.37 | 13.37 | 1.12 | 1.00 | 1.75 | 0.31 | 0.75 | 0.75 | 7/8   |
| 10   | 11.10 | 2.50 | 12.22 | 12.34 | 11.20 | 14.00 | 15.69 | 15.62 | 1.19 | 1.00 | 1.75 | 0.31 | 0.75 | 0.80 | 7/8   |
| 12   | 13.20 | 2.50 | 14.32 | 14.44 | 13.30 | 16.25 | 17.94 | 17.88 | 1.25 | 1.00 | 1.75 | 0.31 | 0.75 | 0.85 | 7/8   |
| 14   | 15.30 | 3.50 | 16.40 | 16.54 | 15.44 | 18.75 | 20.31 | 20.25 | 1.31 | 1.25 | 2.00 | 0.31 | 0.75 | 0.89 | 7/8   |
| 16   | 17.40 | 3.50 | 18.50 | 18.64 | 17.54 | 21.00 | 22.56 | 22.50 | 1.38 | 1.31 | 2.06 | 0.31 | 0.75 | 0.97 | 7/8   |
| 18   | 19.50 | 3.50 | 20.60 | 20.74 | 19.64 | 23.25 | 24.83 | 24.75 | 1.44 | 1.38 | 2.13 | 0.31 | 0.75 | 1.05 | 7/8   |
| 20   | 21.60 | 3.50 | 22.70 | 22.84 | 21.74 | 25.50 | 27.08 | 27.00 | 1.50 | 1.44 | 2.19 | 0.31 | 0.75 | 1.12 | 7/8   |
| 24   | 25.80 | 3.50 | 26.90 | 27.04 | 25.94 | 30.00 | 31.58 | 31.50 | 1.62 | 1.56 | 2.31 | 0.31 | 0.75 | 1.22 | 7/8   |
| 30   | 32.00 | 4.00 | 33.29 | 33.46 | 32.17 | 36.88 | 39.12 | 39.12 | 1.81 | 2.00 | 2.75 | 0.38 | 1.00 | 1.50 | 1 1/8 |
| 36   | 38.30 | 4.00 | 39.59 | 39.76 | 38.47 | 43.75 | 46.00 | 46.00 | 2.00 | 2.00 | 2.75 | 0.38 | 1.00 | 1.80 | 1 1/8 |
| 42   | 44.50 | 4.00 | 45.79 | 45.96 | 44.67 | 50.62 | 53.12 | 53.12 | 2.00 | 2.00 | 2.75 | 0.38 | 1.00 | 1.95 | 1 3/8 |
| 48   | 50.80 | 4.00 | 52.09 | 52.26 | 50.97 | 57.50 | 60.00 | 60.00 | 2.00 | 2.00 | 2.75 | 0.38 | 1.00 | 2.20 | 1 3/8 |

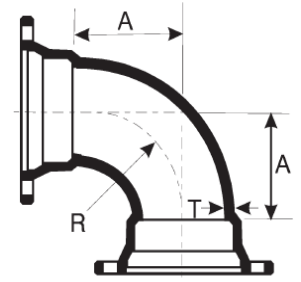
| Bolts |       |        | Plain End Details |      |
|-------|-------|--------|-------------------|------|
| No.   | Size  | Length | OD                | Ls   |
| 4     | 5/8   | 3.00   | 3.96              | 5.50 |
| 4     | 3/4   | 3.50   | 4.80              | 5.50 |
| 6     | 3/4   | 3.50   | 6.90              | 5.50 |
| 6     | 3/4   | 4.00   | 9.05              | 5.50 |
| 8     | 3/4   | 4.00   | 11.10             | 5.50 |
| 8     | 3/4   | 4.00   | 13.20             | 5.50 |
| 10    | 3/4   | 4.50   | 15.30             | 8.00 |
| 12    | 3/4   | 4.50   | 17.40             | 8.00 |
| 12    | 3/4   | 4.50   | 19.50             | 8.00 |
| 14    | 3/4   | 4.50   | 21.60             | 8.00 |
| 16    | 3/4   | 5.00   | 25.80             | 8.00 |
| 20    | 1.00  | 6.00   | 32.00             | 8.00 |
| 24    | 1.00  | 6.00   | 38.30             | 8.00 |
| 28    | 1 1/4 | 6.50   | 44.50             | 8.00 |
| 32    | 1 1/4 | 6.50   | 50.80             | 8.00 |



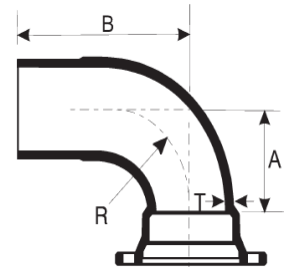
# C110 DUCTILE IRON MECHANICAL JOINT FITTINGS

## 1/4 90° BENDS

| Size | MJxMJ DUCTILE IRON |       | MJxPE DUCTILE IRON |       | R     | T    | MJxMJ<br>Wt. | MJxPE<br>Wt. |
|------|--------------------|-------|--------------------|-------|-------|------|--------------|--------------|
|      | Item No.           | A     | Item No.           | B     |       |      |              |              |
| 3    | XMB390             | 5.50  | XME390             | 13.50 | 4.00  | 0.48 | 35           | 35           |
| 4    | XMB490             | 6.50  | XME490             | 14.50 | 4.50  | 0.52 | 55           | 50           |
| 6    | XMB690             | 8.00  | XME690             | 16.00 | 6.00  | 0.55 | 85           | 80           |
| 8    | XMB890             | 9.00  | XME890             | 17.00 | 7.00  | 0.60 | 125          | 120          |
| 10   | XMB1090            | 11.00 | XME1090            | 19.00 | 9.00  | 0.68 | 190          | 190          |
| 12   | XMB1290            | 12.00 | XME1290            | 20.00 | 10.00 | 0.75 | 255          | 255          |
| 14   | XMB1490            | 14.00 | XME1490            | 22.00 | 11.50 | 0.66 | 340          | 325          |
| 16   | XMB1690            | 15.00 | XME1690            | 23.00 | 12.50 | 0.70 | 430          | 410          |
| 18   | XMB1890            | 16.50 | XME1890            | 24.50 | 14.00 | 0.75 | 545          | 520          |
| 20   | XMB2090            | 18.00 | XME2090            | 26.00 | 15.50 | 0.80 | 680          | 650          |
| 24   | XMB2490            | 22.00 | XME2490            | 30.00 | 18.50 | 0.89 | 1,025        | 985          |
| 30   | XMB3090            | 25.00 | XME3090            | 33.00 | 21.50 | 1.03 | 1,690        | 1,585        |
| 36   | XMB3690            | 28.00 | XME3690            | 36.00 | 24.50 | 1.15 | 2,475        | 2,310        |
| 42   | XMB4290            | 31.00 | XME4290            | 39.00 | 27.50 | 1.28 | 3,410        | 3,200        |
| 48   | XMB4890            | 34.00 | XME4890            | 42.00 | 30.50 | 1.42 | 4,595        | 4,330        |



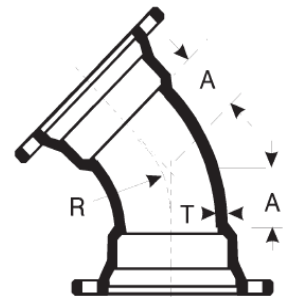
MJ x MJ Bends 90°



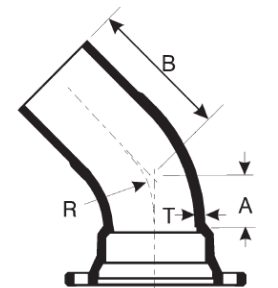
MJ x PE Bends 90°

## 1/8 45° BENDS

| Size | MJxMJ DUCTILE IRON |       | MJxPE DUCTILE IRON |       | R     | T    | MJxMJ<br>Wt. | MJxPE<br>Wt. |
|------|--------------------|-------|--------------------|-------|-------|------|--------------|--------------|
|      | Item No.           | A     | Item No.           | B     |       |      |              |              |
| 3    | XMB345             | 3.00  | XME345             | 11.00 | 3.62  | 0.48 | 30           | 30           |
| 4    | XMB445             | 4.00  | XME445             | 12.00 | 4.81  | 0.52 | 50           | 45           |
| 6    | XMB645             | 5.00  | XME645             | 13.00 | 7.25  | 0.55 | 75           | 70           |
| 8    | XMB845             | 5.50  | XME845             | 13.50 | 8.44  | 0.60 | 110          | 105          |
| 10   | XMB1045            | 6.50  | XME1045            | 14.50 | 10.88 | 0.68 | 155          | 155          |
| 12   | XMB1245            | 7.50  | XME1245            | 15.50 | 13.25 | 0.75 | 215          | 215          |
| 14   | XMB1445            | 7.50  | XME1445            | 15.50 | 12.06 | 0.66 | 270          | 255          |
| 16   | XMB1645            | 8.00  | XME1645            | 16.00 | 13.25 | 0.70 | 340          | 320          |
| 18   | XMB1845            | 8.50  | XME1845            | 16.50 | 14.50 | 0.75 | 420          | 395          |
| 20   | XMB2045            | 9.50  | XME2045            | 17.50 | 16.88 | 0.80 | 530          | 500          |
| 24   | XMB2445            | 11.00 | XME2445            | 19.00 | 18.12 | 0.89 | 755          | 715          |
| 30   | XMB3045            | 15.00 | XME3045            | 23.00 | 27.75 | 1.03 | 1,380        | 1,275        |
| 36   | XMB3645            | 18.00 | XME3645            | 26.00 | 35.00 | 1.15 | 2,095        | 1,930        |
| 42   | XMB4245            | 21.00 | XME4245            | 29.00 | 42.25 | 1.28 | 2,955        | 2,745        |
| 48   | XMB4845            | 24.00 | XME4845            | 32.00 | 49.50 | 1.42 | 4,080        | 3,815        |



MJ x MJ Bends 45°



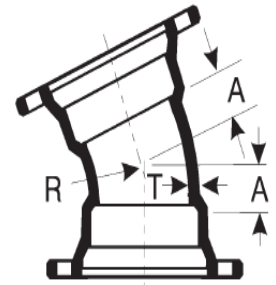
MJ x PE Bends 45°

Weights in pounds, less accessories/Dimensions in inches

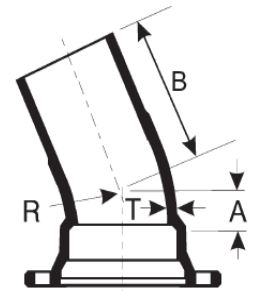


**1/16 22-1/2° BENDS**

| Size | MJxMJ DUCTILE IRON |       | MJxPE DUCTILE IRON |       | R      | T    | MJxMJ Wt. | MJxPE Wt. |
|------|--------------------|-------|--------------------|-------|--------|------|-----------|-----------|
|      | Item No.           | A     | Item No.           | B     |        |      |           |           |
| 3    | XMB322             | 3.00  | XME322             | 11.00 | 7.56   | 0.48 | 30        | 30        |
| 4    | XMB422             | 4.00  | XME422             | 12.00 | 10.06  | 0.52 | 50        | 45        |
| 6    | XMB622             | 5.00  | XME622             | 13.00 | 15.06  | 0.55 | 75        | 70        |
| 8    | XMB822             | 5.50  | XME822             | 13.50 | 17.62  | 0.60 | 110       | 105       |
| 10   | XMB1022            | 6.50  | XME1022            | 14.50 | 22.62  | 0.68 | 160       | 160       |
| 12   | XMB1222            | 7.50  | XME1222            | 15.50 | 27.62  | 0.75 | 220       | 220       |
| 14   | XMB1422            | 7.50  | XME1422            | 15.50 | 25.12  | 0.66 | 275       | 260       |
| 16   | XMB1622            | 8.00  | XME1622            | 16.00 | 27.62  | 0.70 | 345       | 325       |
| 18   | XMB1822            | 8.50  | XME1822            | 16.50 | 30.19  | 0.75 | 430       | 405       |
| 20   | XMB2022            | 9.50  | XME2022            | 17.50 | 35.19  | 0.80 | 535       | 505       |
| 24   | XMB2422            | 11.00 | XME2422            | 19.00 | 37.69  | 0.89 | 765       | 725       |
| 30   | XMB3022            | 15.00 | XME3022            | 23.00 | 57.81  | 1.03 | 1,400     | 1,295     |
| 36   | XMB3622            | 18.00 | XME3622            | 26.00 | 72.88  | 1.15 | 2,135     | 1,970     |
| 42   | XMB4222            | 21.00 | XME4222            | 29.00 | 88.00  | 1.28 | 3,020     | 2,810     |
| 48   | XMB4822            | 24.00 | XME4822            | 32.00 | 103.06 | 1.42 | 4,170     | 3,905     |



MJ x MJ Bends 22-1/2°



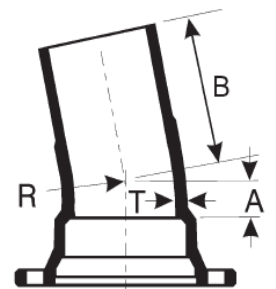
MJ x PE Bends 22-1/2°

**1/32 11-1/4° BENDS**

| Size | MJxMJ DUCTILE IRON |       | MJxPE DUCTILE IRON |       | R      | T    | MJxMJ Wt. | MJxPE Wt. |
|------|--------------------|-------|--------------------|-------|--------|------|-----------|-----------|
|      | Item No.           | A     | Item No.           | B     |        |      |           |           |
| 3    | XMB311             | 3.00  | XME311             | 11.00 | 15.25  | 0.48 | 30        | 30        |
| 4    | XMB411             | 4.00  | XME411             | 12.00 | 20.31  | 0.52 | 50        | 45        |
| 6    | XMB611             | 5.00  | XME611             | 13.00 | 30.50  | 0.55 | 75        | 70        |
| 8    | XMB811             | 5.50  | XME811             | 13.50 | 35.50  | 0.60 | 110       | 105       |
| 10   | XMB1011            | 6.50  | XME1011            | 14.50 | 45.69  | 0.68 | 160       | 160       |
| 12   | XMB1211            | 7.50  | XME1211            | 15.50 | 55.81  | 0.75 | 220       | 220       |
| 14   | XMB1411            | 7.50  | XME1411            | 15.50 | 50.75  | 0.66 | 275       | 260       |
| 16   | XMB1611            | 8.00  | XME1611            | 16.00 | 55.81  | 0.70 | 345       | 325       |
| 18   | XMB1811            | 8.50  | XME1811            | 16.50 | 60.94  | 0.75 | 430       | 405       |
| 20   | XMB2011            | 9.50  | XME2011            | 17.50 | 71.06  | 0.80 | 540       | 510       |
| 24   | XMB2411            | 11.00 | XME2411            | 19.00 | 76.12  | 0.89 | 770       | 730       |
| 30   | XMB3011            | 15.00 | XME3011            | 23.00 | 116.75 | 1.03 | 1,410     | 1,305     |
| 36   | XMB3611            | 18.00 | XME3611            | 26.00 | 147.25 | 1.15 | 2,145     | 1,980     |
| 42   | XMB4211            | 21.00 | XME4211            | 29.00 | 177.69 | 1.28 | 3,035     | 2,825     |
| 48   | XMB4811            | 24.00 | XME4811            | 32.00 | 208.12 | 1.42 | 4,190     | 3,925     |



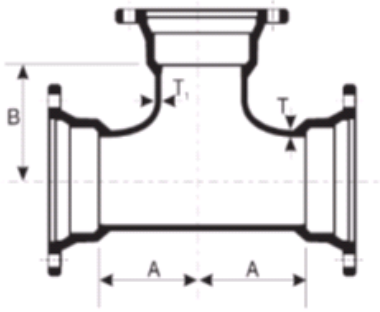
MJ x MJ Bends 11-1/4°



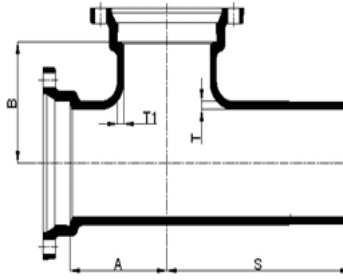
MJ x PE Bends 11-1/4°



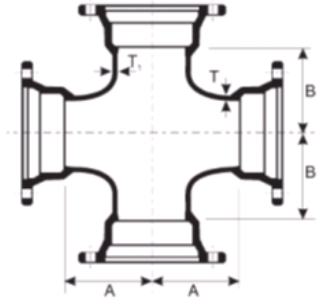
# C110 DUCTILE IRON MECHANICAL JOINT FITTINGS



MJ x MJ Tee



MJ x PE Tee



Cross

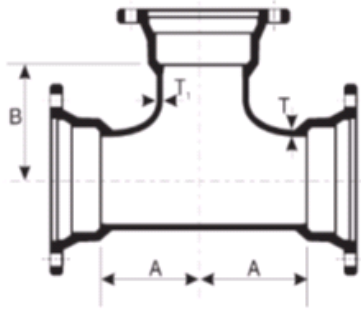
## TEES AND CROSSES (continues on following page)

| Size |    | psi | DI TEE  |         | DI CROSS | T    | T1   | A     | B     | S     | Tee Wt. | XTE Wt. | Cross Wt. |
|------|----|-----|---------|---------|----------|------|------|-------|-------|-------|---------|---------|-----------|
| Run  | Br |     | MJxMJ   | MJxPE   |          |      |      |       |       |       |         |         |           |
| 2    | 2  | 350 | XMT22   |         | XMC22    | 0.45 | 0.45 | 5.50  | 5.50  |       |         |         |           |
| 3    | 3  | 350 | XMT33   | XTE33   | XMC33    | 0.48 | 0.48 | 5.50  | 5.50  | 13.50 | 55      | 55      | 70        |
| 4    | 3  | 350 | XMT43   | XTE43   | XMC43    | 0.52 | 0.48 | 6.50  | 6.50  | 14.50 | 75      | 70      | 90        |
| 4    | 4  | 350 | XMT44   | XTE44   | XMC44    | 0.52 | 0.52 | 6.50  | 6.50  | 14.50 | 80      | 75      | 105       |
| 6    | 2  | 350 | XMT62   |         | XMC62    | 0.55 | 0.48 | 8.00  | 8.00  |       | 95      |         |           |
| 6    | 3  | 350 | XMT63   | XTE63   | XMC63    | 0.55 | 0.48 | 8.00  | 8.00  | 16.00 | 110     | 105     | 125       |
| 6    | 4  | 350 | XMT64   | XTE64   | XMC64    | 0.55 | 0.52 | 8.00  | 8.00  | 16.00 | 115     | 110     | 140       |
| 6    | 6  | 350 | XMT66   | XTE66   | XMC66    | 0.55 | 0.55 | 8.00  | 8.00  | 16.00 | 125     | 120     | 160       |
| 8    | 4  | 350 | XMT84   | XTE84   | XMC84    | 0.60 | 0.52 | 9.00  | 9.00  | 17.00 | 165     | 160     | 185       |
| 8    | 6  | 350 | XMT86   | XTE86   | XMC86    | 0.60 | 0.55 | 9.00  | 9.00  | 17.00 | 175     | 170     | 205       |
| 8    | 8  | 350 | XMT88   | XTE88   | XMC88    | 0.60 | 0.60 | 9.00  | 9.00  | 17.00 | 185     | 180     | 235       |
| 10   | 4  | 350 | XMT104  | XTE104  | XMC104   | 0.68 | 0.52 | 11.00 | 11.00 | 19.00 | 235     | 235     | 260       |
| 10   | 6  | 350 | XMT106  | XTE106  | XMC106   | 0.68 | 0.55 | 11.00 | 11.00 | 19.00 | 250     | 250     | 285       |
| 10   | 8  | 350 | XMT108  | XTE108  | XMC108   | 0.68 | 0.60 | 11.00 | 11.00 | 19.00 | 260     | 260     | 310       |
| 10   | 10 | 350 | XMT1010 | XTE1010 | XMC1010  | 0.80 | 0.80 | 11.00 | 11.00 | 19.00 | 310     | 310     | 380       |
| 12   | 4  | 350 | XMT124  | XTE124  | XMC124   | 0.75 | 0.52 | 12.00 | 12.00 | 20.00 | 315     | 315     | 340       |
| 12   | 6  | 350 | XMT126  | XTE126  | XMC126   | 0.75 | 0.55 | 12.00 | 12.00 | 20.00 | 325     | 325     | 360       |
| 12   | 8  | 350 | XMT128  | XTE128  | XMC128   | 0.75 | 0.60 | 12.00 | 12.00 | 20.00 | 340     | 340     | 385       |
| 12   | 10 | 350 | XMT1210 | XTE1210 | XMC1210  | 0.87 | 0.80 | 12.00 | 12.00 | 20.00 | 390     | 390     | 460       |
| 12   | 12 | 350 | XMT1212 | XTE1212 | XMC1212  | 0.87 | 0.87 | 12.00 | 12.00 | 20.00 | 410     | 410     | 495       |
| 14   | 4  | 350 | XMT144  |         | XMC144   | 0.66 | 0.52 | 14.00 | 14.00 |       | 384     |         |           |
| 14   | 6  | 350 | XMT146  | XTE146  | XMC146   | 0.66 | 0.55 | 14.00 | 14.00 | 22.00 | 435     | 420     | 475       |
| 14   | 8  | 350 | XMT148  | XTE148  | XMC148   | 0.66 | 0.60 | 14.00 | 14.00 | 22.00 | 450     | 435     | 500       |
| 14   | 10 | 350 | XMT1410 | XTE1410 | XMC1410  | 0.66 | 0.68 | 14.00 | 14.00 | 22.00 | 465     | 450     | 540       |
| 14   | 12 | 350 | XMT1412 | XTE1412 | XMC1412  | 0.66 | 0.75 | 14.00 | 14.00 | 22.00 | 495     | 475     | 585       |
| 14   | 14 | 350 | XMT1414 | XTE1414 | XMC1414  | 0.66 | 0.66 | 14.00 | 14.00 | 22.00 | 520     | 500     | 635       |
| 16   | 4  | 350 | XMT164  |         | XMC164   | 0.70 | 0.52 | 15.00 | 15.00 |       |         |         |           |
| 16   | 6  | 350 | XMT166  | XTE166  | XMC166   | 0.70 | 0.55 | 15.00 | 15.00 | 23.00 | 540     | 520     | 575       |
| 16   | 8  | 350 | XMT168  | XTE168  | XMC168   | 0.70 | 0.60 | 15.00 | 15.00 | 23.00 | 550     | 530     | 605       |
| 16   | 10 | 350 | XMT1610 | XTE1610 | XMC1610  | 0.70 | 0.68 | 15.00 | 15.00 | 23.00 | 570     | 550     | 645       |
| 16   | 12 | 350 | XMT1612 | XTE1612 | XMC1612  | 0.70 | 0.75 | 15.00 | 15.00 | 23.00 | 590     | 570     | 685       |
| 16   | 14 | 350 | XMT1614 | XTE1614 | XMC1614  | 0.70 | 0.66 | 15.00 | 15.00 | 23.00 | 620     | 600     | 735       |
| 16   | 16 | 350 | XMT1616 | XTE1616 | XMC1616  | 0.70 | 0.70 | 15.00 | 15.00 | 23.00 | 650     | 625     | 790       |
| 18   | 6  | 350 | XMT186  | XTE186  | XMC186   | 0.75 | 0.55 | 13.00 | 15.50 | 21.00 | 590     | 565     | 625       |
| 18   | 8  | 350 | XMT188  | XTE188  | XMC188   | 0.75 | 0.60 | 13.00 | 15.50 | 21.00 | 605     | 580     | 655       |
| 18   | 10 | 350 | XMT1810 | XTE1810 | XMC1810  | 0.75 | 0.68 | 13.00 | 15.50 | 21.00 | 620     | 595     | 685       |
| 18   | 12 | 350 | XMT1812 | XTE1812 | XMC1812  | 0.75 | 0.75 | 13.00 | 15.50 | 21.00 | 640     | 615     | 725       |
| 18   | 14 | 350 | XMT1814 | XTE1814 | XMC1814  | 0.75 | 0.66 | 16.50 | 16.50 | 24.50 | 755     | 730     | 870       |
| 18   | 16 | 350 | XMT1816 | XTE1816 | XMC1816  | 0.75 | 0.70 | 16.50 | 16.50 | 24.50 | 785     | 760     | 930       |
| 18   | 18 | 350 | XMT1818 | XTE1818 | XMC1818  | 0.75 | 0.75 | 16.50 | 16.50 | 24.50 | 820     | 795     | 995       |
| 20   | 6  | 350 | XMT206  | XTE206  | XMC206   | 0.80 | 0.55 | 14.00 | 17.00 | 22.00 | 725     | 695     | 760       |
| 20   | 8  | 350 | XMT208  | XTE208  | XMC208   | 0.80 | 0.60 | 14.00 | 17.00 | 22.00 | 735     | 705     | 790       |
| 20   | 10 | 350 | XMT2010 | XTE2010 | XMC2010  | 0.80 | 0.68 | 14.00 | 17.00 | 22.00 | 755     | 725     | 820       |
| 20   | 12 | 350 | XMT2012 | XTE2012 | XMC2012  | 0.80 | 0.75 | 14.00 | 17.00 | 22.00 | 775     | 745     | 860       |
| 20   | 14 | 350 | XMT2014 | XTE2014 | XMC2014  | 0.80 | 0.66 | 14.00 | 17.00 | 22.00 | 795     | 765     | 905       |
| 20   | 16 | 350 | XMT2016 | XTE2016 | XMC2016  | 0.80 | 0.70 | 18.00 | 18.00 | 26.00 | 945     | 915     | 1,085     |
| 20   | 18 | 350 | XMT2018 | XTE2018 | XMC2018  | 0.80 | 0.75 | 18.00 | 18.00 | 26.00 | 985     | 950     | 1,155     |
| 20   | 20 | 350 | XMT2020 | XTE2020 | XMC2020  | 0.80 | 0.80 | 18.00 | 18.00 | 26.00 | 1,020   | 990     | 1,230     |
| 24   | 4  | 350 | XMT244  |         | XMC244   | 0.89 | 0.52 | 15.00 | 19.00 |       | 885     |         |           |
| 24   | 6  | 350 | XMT246  | XTE246  | XMC246   | 0.89 | 0.55 | 15.00 | 19.00 | 23.00 | 985     | 945     | 1,025     |

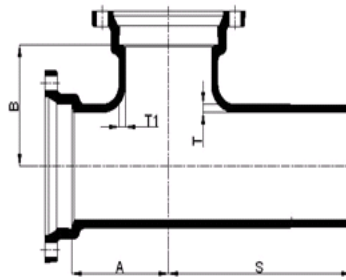
Weights in pounds, less accessories/Dimensions in inches



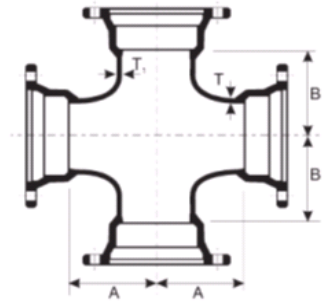




MJ x MJ Tee



MJ x PE Tee



Cross

**TEES AND CROSSES (continued)**

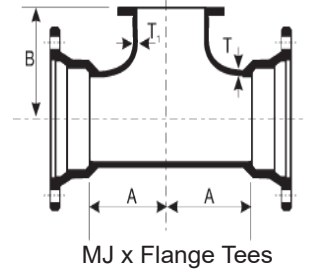
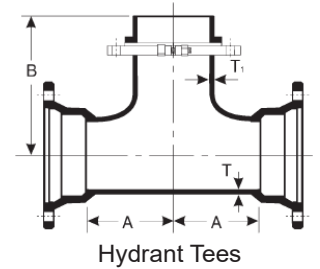
| Size |    | psi | DI TEE  |         | DI CROSS | T    | T1   | A     | B     | S     | Tee Wt. | XTE Wt. | Cross Wt. |
|------|----|-----|---------|---------|----------|------|------|-------|-------|-------|---------|---------|-----------|
| Run  | Br |     | MJxMJ   | MJxPE   |          |      |      |       |       |       |         |         |           |
| 24   | 8  | 350 | XMT248  | XTE248  | XMC248   | 0.89 | 0.60 | 15.00 | 19.00 | 23.00 | 1,000   | 960     | 1,045     |
| 24   | 10 | 350 | XMT2410 | XTE2410 | XMC2410  | 0.89 | 0.68 | 15.00 | 19.00 | 23.00 | 1,020   | 980     | 1,085     |
| 24   | 12 | 350 | XMT2412 | XTE2412 | XMC2412  | 0.89 | 0.75 | 15.00 | 19.00 | 23.00 | 1,030   | 990     | 1,110     |
| 24   | 14 | 350 | XMT2414 | XTE2414 | XMC2414  | 0.89 | 0.66 | 15.00 | 19.00 | 23.00 | 1,055   | 1,015   | 1,155     |
| 24   | 16 | 350 | XMT2416 | XTE2416 | XMC2416  | 0.89 | 0.70 | 15.00 | 19.00 | 23.00 | 1,075   | 1,035   | 1,200     |
| 24   | 18 | 350 | XMT2418 | XTE2418 | XMC2418  | 0.89 | 0.75 | 22.00 | 22.00 | 30.00 | 1,400   | 1,360   | 1,590     |
| 24   | 20 | 350 | XMT2420 | XTE2420 | XMC2420  | 0.89 | 0.80 | 22.00 | 22.00 | 30.00 | 1,450   | 1,410   | 1,675     |
| 24   | 24 | 350 | XMT2424 | XTE2424 | XMC2424  | 0.89 | 0.89 | 22.00 | 22.00 | 30.00 | 1,535   | 1,490   | 1,835     |
| 30   | 6  | 250 | XMT306  | XTE306  | XMC306   | 1.03 | 0.55 | 18.00 | 23.00 | 26.00 | 1,730   | 1,615   | 1,770     |
| 30   | 8  | 250 | XMT308  | XTE308  | XMC308   | 1.03 | 0.60 | 18.00 | 23.00 | 26.00 | 1,745   | 1,630   | 1,795     |
| 30   | 10 | 250 | XMT3010 | XTE3010 | XMC3010  | 1.03 | 0.68 | 18.00 | 23.00 | 26.00 | 1,760   | 1,645   | 1,830     |
| 30   | 12 | 250 | XMT3012 | XTE3012 | XMC3012  | 1.03 | 0.75 | 18.00 | 23.00 | 26.00 | 1,780   | 1,665   | 1,865     |
| 30   | 14 | 250 | XMT3014 | XTE3014 | XMC3014  | 1.03 | 0.66 | 18.00 | 23.00 | 26.00 | 1,800   | 1,685   | 1,905     |
| 30   | 16 | 250 | XMT3016 | XTE3016 | XMC3016  | 1.03 | 0.70 | 18.00 | 23.00 | 26.00 | 1,820   | 1,705   | 1,950     |
| 30   | 18 | 250 | XMT3018 | XTE3018 | XMC3018  | 1.03 | 0.75 | 18.00 | 23.00 | 26.00 | 1,845   | 1,730   | 2,000     |
| 30   | 20 | 250 | XMT3020 | XTE3020 | XMC3020  | 1.03 | 0.80 | 18.00 | 23.00 | 26.00 | 1,875   | 1,760   | 2,060     |
| 30   | 24 | 250 | XMT3024 | XTE3024 | XMC3024  | 1.03 | 0.89 | 25.00 | 25.00 | 33.00 | 2,400   | 2,280   | 2,675     |
| 30   | 30 | 250 | XMT3030 | XTE3030 | XMC3030  | 1.03 | 1.03 | 25.00 | 25.00 | 33.00 | 2,595   | 2,480   | 3,075     |
| 36   | 6  | 250 | XMT366  |         |          | 1.15 | 0.55 | 20.00 | 26.00 |       | 2,223   |         |           |
| 36   | 8  | 250 | XMT368  | XTE368  | XMC368   | 1.15 | 0.60 | 20.00 | 26.00 | 28.00 | 2,520   | 2,345   | 2,565     |
| 36   | 10 | 250 | XMT3610 | XTE3610 | XMC3610  | 1.15 | 0.68 | 20.00 | 26.00 | 28.00 | 2,535   | 2,360   | 2,600     |
| 36   | 12 | 250 | XMT3612 | XTE3612 | XMC3612  | 1.15 | 0.75 | 20.00 | 26.00 | 28.00 | 2,550   | 2,375   | 2,630     |
| 36   | 14 | 250 | XMT3614 | XTE3614 | XMC3614  | 1.15 | 0.66 | 20.00 | 26.00 | 28.00 | 2,570   | 2,395   | 2,665     |
| 36   | 16 | 250 | XMT3616 | XTE3616 | XMC3616  | 1.15 | 0.70 | 20.00 | 26.00 | 28.00 | 2,585   | 2,410   | 2,705     |
| 36   | 18 | 250 | XMT3618 | XTE3618 | XMC3618  | 1.15 | 0.75 | 20.00 | 26.00 | 28.00 | 2,610   | 2,435   | 2,750     |
| 36   | 20 | 250 | XMT3620 | XTE3620 | XMC3620  | 1.15 | 0.80 | 20.00 | 26.00 | 28.00 | 2,635   | 2,460   | 2,805     |
| 36   | 24 | 250 | XMT3624 | XTE3624 | XMC3624  | 1.15 | 0.89 | 20.00 | 26.00 | 28.00 | 2,690   | 2,515   | 2,910     |
| 36   | 30 | 250 | XMT3630 | XTE3630 | XMC3630  | 1.15 | 1.03 | 28.00 | 28.00 | 36.00 | 3,545   | 3,365   | 3,965     |
| 36   | 36 | 250 | XMT3636 | XTE3636 | XMC3636  | 1.15 | 1.15 | 28.00 | 28.00 | 36.00 | 3,745   | 3,565   | 4,370     |
| 42   | 12 | 250 | XMT4212 | XTE4212 | XMC4212  | 1.28 | 0.75 | 23.00 | 30.00 | 31.00 | 3,555   | 3,335   | 3,640     |
| 42   | 14 | 250 | XMT4214 | XTE4214 | XMC4214  | 1.28 | 0.66 | 23.00 | 30.00 | 31.00 | 3,575   | 3,355   | 3,675     |
| 42   | 16 | 250 | XMT4216 | XTE4216 | XMC4216  | 1.28 | 0.70 | 23.00 | 30.00 | 31.00 | 3,595   | 3,375   | 3,715     |
| 42   | 18 | 250 | XMT4218 | XTE4218 | XMC4218  | 1.28 | 0.75 | 23.00 | 30.00 | 31.00 | 3,615   | 3,395   | 3,755     |
| 42   | 20 | 250 | XMT4220 | XTE4220 | XMC4220  | 1.28 | 0.80 | 23.00 | 30.00 | 31.00 | 3,640   | 3,420   | 3,810     |
| 42   | 24 | 250 | XMT4224 | XTE4224 | XMC4224  | 1.28 | 0.89 | 23.00 | 30.00 | 31.00 | 3,690   | 3,470   | 3,910     |
| 42   | 30 | 250 | XMT4230 | XTE4230 | XMC4230  | 1.28 | 1.03 | 31.00 | 31.00 | 39.00 | 4,650   | 4,425   | 5,040     |
| 42   | 36 | 250 | XMT4236 | XTE4236 | XMC4236  | 1.78 | 1.58 | 31.00 | 31.00 | 39.00 | 6,075   | 5,850   | 6,655     |
| 42   | 42 | 250 | XMT4242 | XTE4242 | XMC4242  | 1.78 | 1.78 | 31.00 | 31.00 | 39.00 | 6,320   | 6,095   | 7,145     |
| 48   | 12 | 250 | XMT4812 | XTE4812 | XMC4812  | 1.42 | 0.75 | 26.00 | 34.00 | 34.00 | 4,870   | 4,580   | 4,955     |
| 48   | 14 | 250 | XMT4814 | XTE4814 | XMC4814  | 1.42 | 0.66 | 26.00 | 34.00 | 34.00 | 4,885   | 4,595   | 4,985     |
| 48   | 16 | 250 | XMT4816 | XTE4816 | XMC4816  | 1.42 | 0.70 | 26.00 | 34.00 | 34.00 | 4,905   | 4,615   | 5,025     |
| 48   | 18 | 250 | XMT4818 | XTE4818 | XMC4818  | 1.42 | 0.75 | 26.00 | 34.00 | 34.00 | 4,925   | 4,635   | 5,065     |
| 48   | 20 | 250 | XMT4820 | XTE4820 | XMC4820  | 1.42 | 0.80 | 26.00 | 34.00 | 34.00 | 4,950   | 4,660   | 5,115     |
| 48   | 24 | 250 | XMT4824 | XTE4824 | XMC4824  | 1.42 | 0.89 | 26.00 | 34.00 | 34.00 | 4,995   | 4,705   | 5,210     |
| 48   | 30 | 250 | XMT4830 | XTE4830 | XMC4830  | 1.42 | 1.03 | 26.00 | 34.00 | 34.00 | 5,140   | 4,855   | 5,495     |
| 48   | 36 | 250 | XMT4836 | XTE4836 | XMC4836  | 1.42 | 1.15 | 34.00 | 34.00 | 42.00 | 6,280   | 5,995   | 6,790     |
| 48   | 42 | 250 | XMT4842 | XTE4842 | XMC4842  | 1.96 | 1.78 | 34.00 | 34.00 | 42.00 | 8,130   | 7,845   | 8,815     |
| 48   | 48 | 250 | XMT4848 | XTE4848 | XMC4848  | 1.96 | 1.96 | 34.00 | 34.00 | 42.00 | 8,420   | 8,135   | 9,380     |



# C110 DUCTILE IRON MECHANICAL JOINT FITTINGS

## HYDRANT TEES DUCTILE IRON

| Size |        | Item No. | Wt.   | A     | B     | T    | T1   |
|------|--------|----------|-------|-------|-------|------|------|
| Run  | Branch |          |       |       |       |      |      |
| 6    | 6      | XMH66    | 116   | 8.00  | 10.50 | 0.55 | 0.55 |
| 8    | 6      | XMH86    | 210   | 9.00  | 11.50 | 0.60 | 0.55 |
| 8    | 8      | XMH88    | 198   | 9.00  | 11.50 | 0.60 | 0.60 |
| 10   | 6      | XMH106   | 270   | 11.00 | 13.50 | 0.68 | 0.55 |
| 10   | 8      | XMH108   |       | 11.00 | 13.50 | 0.68 | 0.60 |
| 12   | 6      | XMH126   | 341   | 12.00 | 14.50 | 0.75 | 0.55 |
| 12   | 8      | XMH128   | 300   | 12.00 | 14.50 | 0.75 | 0.60 |
| 14   | 6      | XMH146   | 500   | 14.00 | 16.50 | 0.66 | 0.55 |
| 14   | 8      | XMH148   |       | 14.00 | 16.50 | 0.66 | 0.60 |
| 16   | 6      | XMH166   | 540   | 15.00 | 17.50 | 0.70 | 0.55 |
| 16   | 8      | XMH168   | 649   | 15.00 | 17.50 | 0.70 | 0.60 |
| 18   | 6      | XMH186   | 750   | 13.00 | 17.50 | 0.75 | 0.55 |
| 18   | 8      | XMH188   |       | 13.00 | 17.50 | 0.75 | 0.60 |
| 20   | 6      | XMH206   | 829   | 14.00 | 19.50 | 0.80 | 0.55 |
| 20   | 8      | XMH208   |       | 14.00 | 19.50 | 0.80 | 0.60 |
| 24   | 6      | XMH246   | 1,134 | 15.00 | 21.50 | 0.89 | 0.55 |
| 24   | 8      | XMH248   |       | 15.00 | 21.50 | 0.89 | 0.60 |
| 30   | 6      | XMH306   | 1,739 | 18.00 | 24.50 | 1.03 | 0.55 |



## MJ X FLANGE TEES DUCTILE IRON

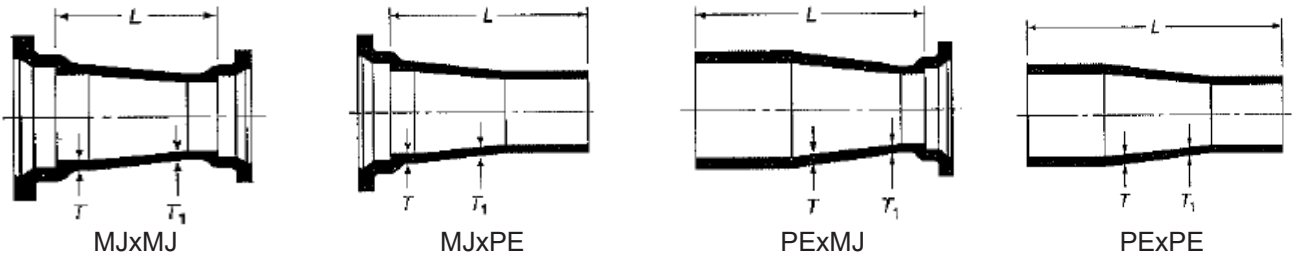
| Size |    | Item No. | Wt.   | A     | B     | T    | T1   |
|------|----|----------|-------|-------|-------|------|------|
| Run  | Br |          |       |       |       |      |      |
| 3    | 3  | XMF33    |       | 5.50  | 5.50  | 0.48 | 0.48 |
| 4    | 3  | XMF43    |       | 6.50  | 6.50  | 0.52 | 0.48 |
| 4    | 4  | XMF44    | 89    | 6.50  | 6.50  | 0.52 | 0.52 |
| 6    | 3  | XMF63    |       | 8.00  | 8.00  | 0.55 | 0.48 |
| 6    | 4  | XMF64    | 129   | 8.00  | 8.00  | 0.55 | 0.52 |
| 6    | 6  | XMF66    | 140   | 8.00  | 8.00  | 0.55 | 0.55 |
| 8    | 4  | XMF84    | 159   | 9.00  | 9.00  | 0.60 | 0.52 |
| 8    | 6  | XMF86    | 195   | 9.00  | 9.00  | 0.60 | 0.55 |
| 8    | 8  | XMF88    | 175   | 9.00  | 9.00  | 0.60 | 0.60 |
| 10   | 4  | XMF104   | 229   | 11.00 | 11.00 | 0.68 | 0.52 |
| 10   | 6  | XMF106   | 222   | 11.00 | 11.00 | 0.68 | 0.55 |
| 10   | 8  | XMF108   | 250   | 11.00 | 11.00 | 0.68 | 0.60 |
| 10   | 10 | XMF1010  | 260   | 11.00 | 11.00 | 0.80 | 0.80 |
| 12   | 4  | XMF124   | 309   | 12.00 | 12.00 | 0.75 | 0.52 |
| 12   | 6  | XMF126   | 336   | 12.00 | 12.00 | 0.75 | 0.55 |
| 12   | 8  | XMF128   | 330   | 12.00 | 12.00 | 0.75 | 0.60 |
| 12   | 10 | XMF1210  | 380   | 12.00 | 12.00 | 0.87 | 0.80 |
| 12   | 12 | XMF1212  | 400   | 12.00 | 12.00 | 0.87 | 0.87 |
| 14   | 6  | XMF146   | 490   | 14.00 | 14.00 | 0.66 | 0.55 |
| 14   | 8  | XMF148   | 500   | 14.00 | 14.00 | 0.66 | 0.60 |
| 14   | 10 | XMF1410  |       | 14.00 | 14.00 | 0.66 | 0.68 |
| 14   | 12 | XMF1412  |       | 14.00 | 14.00 | 0.66 | 0.75 |
| 14   | 14 | XMF1414  |       | 14.00 | 14.00 | 0.66 | 0.66 |
| 16   | 4  | XMF164   | 575   | 15.00 | 15.00 | 0.70 | 0.52 |
| 16   | 6  | XMF166   | 605   | 15.00 | 15.00 | 0.70 | 0.55 |
| 16   | 8  | XMF168   | 615   | 15.00 | 15.00 | 0.70 | 0.60 |
| 16   | 10 | XMF1610  | 635   | 15.00 | 15.00 | 0.70 | 0.68 |
| 16   | 12 | XMF1612  | 650   | 15.00 | 15.00 | 0.70 | 0.75 |
| 16   | 14 | XMF1614  |       | 15.00 | 15.00 | 0.70 | 0.66 |
| 16   | 16 | XMF1616  | 730   | 15.00 | 15.00 | 0.70 | 0.70 |
| 18   | 6  | XMF186   | 665   | 13.00 | 15.50 | 0.75 | 0.55 |
| 18   | 8  | XMF188   | 675   | 13.00 | 15.50 | 0.75 | 0.60 |
| 18   | 10 | XMF1810  |       | 13.00 | 15.50 | 0.75 | 0.68 |
| 18   | 12 | XMF1812  | 705   | 13.00 | 15.50 | 0.75 | 0.75 |
| 18   | 14 | XMF1814  |       | 16.50 | 16.50 | 0.75 | 0.66 |
| 18   | 16 | XMF1816  |       | 16.50 | 16.50 | 0.75 | 0.70 |
| 18   | 18 | XMF1818  | 915   | 16.50 | 16.50 | 0.75 | 0.75 |
| 20   | 4  | XMF204   |       | 14.00 | 17.00 | 0.80 | 0.52 |
| 20   | 6  | XMF206   | 820   | 14.00 | 17.00 | 0.80 | 0.55 |
| 20   | 8  | XMF208   | 835   | 14.00 | 17.00 | 0.80 | 0.60 |
| 20   | 10 | XMF2010  |       | 14.00 | 17.00 | 0.80 | 0.68 |
| 20   | 12 | XMF2012  | 865   | 14.00 | 17.00 | 0.80 | 0.75 |
| 20   | 14 | XMF2014  |       | 14.00 | 17.00 | 0.80 | 0.66 |
| 20   | 16 | XMF2016  | 1,075 | 18.00 | 18.00 | 0.80 | 0.70 |
| 20   | 18 | XMF2018  |       | 18.00 | 18.00 | 0.80 | 0.75 |
| 20   | 20 | XMF2020  | 1,165 | 18.00 | 18.00 | 0.80 | 0.80 |
| 24   | 6  | XMF246   | 1,125 | 15.00 | 19.00 | 0.89 | 0.55 |
| 24   | 8  | XMF248   | 1,140 | 15.00 | 19.00 | 0.89 | 0.60 |
| 24   | 10 | XMF2410  | 1,150 | 15.00 | 19.00 | 0.89 | 0.68 |

| Size |    | Item No. | Wt.   | A     | B     | T    | T1   |
|------|----|----------|-------|-------|-------|------|------|
| Run  | Br |          |       |       |       |      |      |
| 24   | 12 | XMF2412  | 1,165 | 15.00 | 19.00 | 0.89 | 0.75 |
| 24   | 14 | XMF2414  | 1,205 | 15.00 | 19.00 | 0.89 | 0.66 |
| 24   | 16 | XMF2416  | 1,230 | 15.00 | 19.00 | 0.89 | 0.70 |
| 24   | 18 | XMF2418  | 1,640 | 22.00 | 22.00 | 0.89 | 0.75 |
| 24   | 20 | XMF2420  | 1,705 | 22.00 | 22.00 | 0.89 | 0.80 |
| 24   | 24 | XMF2424  | 1,795 | 22.00 | 22.00 | 0.89 | 0.89 |
| 30   | 6  | XMF306   | 1,710 | 18.00 | 23.00 | 1.03 | 0.55 |
| 30   | 8  | XMF308   | 1,725 | 18.00 | 23.00 | 1.03 | 0.60 |
| 30   | 10 | XMF3010  |       | 18.00 | 23.00 | 1.03 | 0.68 |
| 30   | 12 | XMF3012  |       | 18.00 | 23.00 | 1.03 | 0.75 |
| 30   | 14 | XMF3014  |       | 18.00 | 23.00 | 1.03 | 0.66 |
| 30   | 16 | XMF3016  |       | 18.00 | 23.00 | 1.03 | 0.70 |
| 30   | 18 | XMF3018  |       | 18.00 | 23.00 | 1.03 | 0.75 |
| 30   | 20 | XMF3020  |       | 18.00 | 23.00 | 1.03 | 0.80 |
| 30   | 24 | XMF3024  |       | 25.00 | 25.00 | 1.03 | 0.89 |
| 30   | 30 | XMF3030  |       | 25.00 | 25.00 | 1.03 | 1.03 |
| 36   | 6  | XMF366   | 2,430 | 20.00 | 26.00 | 1.15 | 0.55 |
| 36   | 8  | XMF368   | 2,505 | 20.00 | 26.00 | 1.15 | 0.60 |
| 36   | 10 | XMF3610  |       | 20.00 | 26.00 | 1.15 | 0.68 |
| 36   | 12 | XMF3612  |       | 20.00 | 26.00 | 1.15 | 0.75 |
| 36   | 14 | XMF3614  |       | 20.00 | 26.00 | 1.15 | 0.66 |
| 36   | 16 | XMF3616  |       | 20.00 | 26.00 | 1.15 | 0.70 |
| 36   | 18 | XMF3618  |       | 20.00 | 26.00 | 1.15 | 0.75 |
| 36   | 20 | XMF3620  |       | 20.00 | 26.00 | 1.15 | 0.80 |
| 36   | 24 | XMF3624  |       | 20.00 | 26.00 | 1.15 | 0.89 |
| 36   | 30 | XMF3630  |       | 28.00 | 28.00 | 1.15 | 1.03 |
| 36   | 36 | XMF3636  |       | 28.00 | 28.00 | 1.15 | 1.15 |
| 42   | 12 | XMF4212  |       | 23.00 | 30.00 | 1.28 | 0.75 |
| 42   | 14 | XMF4214  |       | 23.00 | 30.00 | 1.28 | 0.66 |
| 42   | 16 | XMF4216  |       | 23.00 | 30.00 | 1.28 | 0.70 |
| 42   | 18 | XMF4218  |       | 23.00 | 30.00 | 1.28 | 0.75 |
| 42   | 20 | XMF4220  |       | 23.00 | 30.00 | 1.28 | 0.80 |
| 42   | 24 | XMF4224  |       | 23.00 | 30.00 | 1.28 | 0.89 |
| 42   | 30 | XMF4230  |       | 31.00 | 31.00 | 1.28 | 1.03 |
| 42   | 36 | XMF4236  |       | 31.00 | 31.00 | 1.78 | 1.58 |
| 42   | 42 | XMF4242  |       | 31.00 | 31.00 | 1.78 | 1.78 |
| 48   | 8  | XMF488   |       | 20.00 | 34.00 | 1.42 | 0.60 |
| 48   | 12 | XMF4812  |       | 26.00 | 34.00 | 1.42 | 0.75 |
| 48   | 14 | XMF4814  |       | 26.00 | 34.00 | 1.42 | 0.66 |
| 48   | 16 | XMF4816  |       | 26.00 | 34.00 | 1.42 | 0.70 |
| 48   | 18 | XMF4818  |       | 26.00 | 34.00 | 1.42 | 0.75 |
| 48   | 20 | XMF4820  |       | 26.00 | 34.00 | 1.42 | 0.80 |
| 48   | 24 | XMF4824  |       | 26.00 | 34.00 | 1.42 | 0.89 |
| 48   | 30 | XMF4830  |       | 26.00 | 34.00 | 1.42 | 1.03 |
| 48   | 36 | XMF4836  |       | 34.00 | 34.00 | 1.42 | 1.15 |
| 48   | 42 | XMF4842  |       | 34.00 | 34.00 | 1.96 | 1.78 |
| 48   | 48 | XMF4848  |       | 34.00 | 34.00 | 1.96 | 1.96 |

Weights in pounds, less accessories/Dimensions in inches

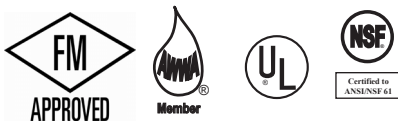






**REDUCERS DUCTILE IRON**

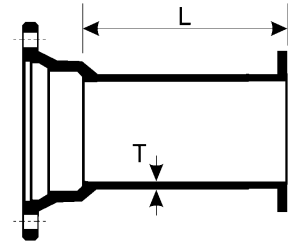
| Size |    | MJ x MJ  |       |       | MJ x PE  |       |       | PE x MJ  |       |       | PE x PE  |       |       | T    | T1   |
|------|----|----------|-------|-------|----------|-------|-------|----------|-------|-------|----------|-------|-------|------|------|
| D    | D1 | Item No. | Wt.   | L     | Item No. | Wt.   | L     | Item No. | Wt.   | L     | Item No. | Wt.   | L     |      |      |
| 4    | 3  | XMR43    | 40    | 7.00  | XSPR43   | 35    | 15.00 | XLPR43   | 40    | 15.00 | XPPR43   | 35    | 23.00 | 0.52 | 0.48 |
| 6    | 3  | XMR63    | 55    | 9.00  | XSPR63   | 50    | 17.00 | XLPR63   | 55    | 17.00 | XPPR63   | 50    | 25.00 | 0.55 | 0.48 |
| 6    | 4  | XMR64    | 60    | 9.00  | XSPR64   | 60    | 17.00 | XLPR64   | 60    | 17.00 | XPPR64   | 55    | 25.00 | 0.55 | 0.52 |
| 8    | 4  | XMR84    | 80    | 11.00 | XSPR84   | 80    | 19.00 | XLPR84   | 80    | 19.00 | XPPR84   | 75    | 27.00 | 0.60 | 0.52 |
| 8    | 6  | XMR86    | 95    | 11.00 | XSPR86   | 90    | 19.00 | XLPR86   | 90    | 19.00 | XPPR86   | 85    | 27.00 | 0.60 | 0.55 |
| 10   | 4  | XMR104   | 105   | 12.00 | XSPR104  | 100   | 20.00 | XLPR104  | 100   | 20.00 | XPPR104  | 100   | 28.00 | 0.68 | 0.52 |
| 10   | 6  | XMR106   | 115   | 12.00 | XSPR106  | 115   | 20.00 | XLPR106  | 115   | 20.00 | XPPR106  | 115   | 28.00 | 0.68 | 0.55 |
| 10   | 8  | XMR108   | 135   | 12.00 | XSPR108  | 130   | 20.00 | XLPR108  | 130   | 20.00 | XPPR108  | 130   | 28.00 | 0.68 | 0.60 |
| 12   | 4  | XMR124   | 135   | 14.00 | XSPR124  | 130   | 22.00 | XLPR124  | 130   | 22.00 | XPPR124  | 130   | 30.00 | 0.75 | 0.52 |
| 12   | 6  | XMR126   | 150   | 14.00 | XSPR126  | 150   | 22.00 | XLPR126  | 145   | 22.00 | XPPR126  | 145   | 30.00 | 0.75 | 0.55 |
| 12   | 8  | XMR128   | 165   | 14.00 | XSPR128  | 165   | 22.00 | XLPR128  | 165   | 22.00 | XPPR128  | 165   | 30.00 | 0.75 | 0.60 |
| 12   | 10 | XMR1210  | 190   | 14.00 | XSPR1210 | 190   | 22.00 | XLPR210  | 185   | 22.00 | XPPR1210 | 185   | 30.00 | 0.75 | 0.68 |
| 14   | 6  | XMR146   | 190   | 16.00 | XSPR146  | 175   | 24.00 | XLPR146  | 185   | 24.00 | XPPR146  | 170   | 32.00 | 0.66 | 0.55 |
| 14   | 8  | XMR148   | 210   | 16.00 | XSPR148  | 190   | 24.00 | XLPR148  | 205   | 24.00 | XPPR148  | 190   | 32.00 | 0.66 | 0.60 |
| 14   | 10 | XMR1410  | 230   | 16.00 | XSPR1410 | 215   | 24.00 | XLPR1410 | 230   | 24.00 | XPPR1410 | 215   | 32.00 | 0.66 | 0.68 |
| 14   | 12 | XMR1412  | 255   | 16.00 | XSPR1412 | 240   | 24.00 | XLPR1412 | 255   | 24.00 | XPPR1412 | 240   | 32.00 | 0.66 | 0.75 |
| 16   | 6  | XMR166   | 230   | 18.00 | XSPR166  | 210   | 26.00 | XLPR166  | 230   | 26.00 | XPPR166  | 210   | 34.00 | 0.70 | 0.55 |
| 16   | 8  | XMR168   | 250   | 18.00 | XSPR168  | 230   | 26.00 | XLPR168  | 250   | 26.00 | XPPR168  | 230   | 34.00 | 0.70 | 0.60 |
| 16   | 10 | XMR1610  | 280   | 18.00 | XSPR1610 | 255   | 26.00 | XLPR1610 | 275   | 26.00 | XPPR1610 | 255   | 34.00 | 0.70 | 0.68 |
| 16   | 12 | XMR1612  | 305   | 18.00 | XSPR1612 | 285   | 26.00 | XLPR1612 | 305   | 26.00 | XPPR1612 | 285   | 34.00 | 0.70 | 0.75 |
| 16   | 14 | XMR1614  | 335   | 18.00 | XSPR1614 | 310   | 26.00 | XLPR1614 | 315   | 26.00 | XPPR1614 | 295   | 34.00 | 0.70 | 0.66 |
| 18   | 8  | XMR188   | 295   | 19.00 | XSPR188  | 270   | 27.00 | XLPR188  | 295   | 27.00 | XPPR188  | 270   | 35.00 | 0.75 | 0.60 |
| 18   | 10 | XMR1810  | 325   | 19.00 | XSPR1810 | 300   | 27.00 | XLPR1810 | 320   | 27.00 | XPPR1810 | 295   | 35.00 | 0.75 | 0.68 |
| 18   | 12 | XMR1812  | 350   | 19.00 | XSPR1812 | 325   | 27.00 | XLPR1812 | 350   | 27.00 | XPPR1812 | 325   | 35.00 | 0.75 | 0.75 |
| 18   | 14 | XMR1814  | 380   | 19.00 | XSPR1814 | 355   | 27.00 | XLPR1814 | 365   | 27.00 | XPPR1814 | 340   | 35.00 | 0.75 | 0.66 |
| 18   | 16 | XMR1816  | 415   | 19.00 | XSPR1816 | 390   | 27.00 | XLPR1816 | 395   | 27.00 | XPPR1816 | 370   | 35.00 | 0.75 | 0.70 |
| 20   | 8  |          |       |       | XSPR208  |       | 28.00 |          |       |       |          |       |       | 0.80 | 0.60 |
| 20   | 10 | XMR2010  | 375   | 20.00 | XSPR2010 | 345   | 28.00 | XLPR2010 | 375   | 28.00 | XPPR2010 | 345   | 36.00 | 0.80 | 0.68 |
| 20   | 12 | XMR2012  | 405   | 20.00 | XSPR2012 | 375   | 28.00 | XLPR2012 | 405   | 28.00 | XPPR2012 | 375   | 36.00 | 0.80 | 0.75 |
| 20   | 14 | XMR2014  | 430   | 20.00 | XSPR2014 | 400   | 28.00 | XLPR2014 | 415   | 28.00 | XPPR2014 | 385   | 36.00 | 0.80 | 0.66 |
| 20   | 16 | XMR2016  | 470   | 20.00 | XSPR2016 | 435   | 28.00 | XLPR2016 | 445   | 28.00 | XPPR2016 | 415   | 36.00 | 0.80 | 0.70 |
| 20   | 18 | XMR2018  | 510   | 20.00 | XSPR2018 | 475   | 28.00 | XLPR2018 | 485   | 28.00 | XPPR2018 | 455   | 36.00 | 0.80 | 0.75 |
| 24   | 8  | XMR248   | 457   | 24.00 |          |       |       |          |       |       |          |       |       | 0.89 | 0.60 |
| 24   | 12 | XMR2412  | 550   | 24.00 | XSPR2412 | 510   | 32.00 | XLPR2412 | 550   | 32.00 | XPPR2412 | 510   | 40.00 | 0.89 | 0.75 |
| 24   | 14 | XMR2414  | 575   | 24.00 | XSPR2414 | 535   | 32.00 | XLPR2414 | 560   | 32.00 | XPPR2414 | 520   | 40.00 | 0.89 | 0.66 |
| 24   | 16 | XMR2416  | 615   | 24.00 | XSPR2416 | 575   | 32.00 | XLPR2416 | 595   | 32.00 | XPPR2416 | 555   | 40.00 | 0.89 | 0.70 |
| 24   | 18 | XMR2418  | 660   | 24.00 | XSPR2418 | 620   | 32.00 | XLPR2418 | 635   | 32.00 | XPPR2418 | 595   | 40.00 | 0.89 | 0.75 |
| 24   | 20 | XMR2420  | 705   | 24.00 | XSPR2420 | 665   | 32.00 | XLPR2420 | 675   | 32.00 | XPPR2420 | 635   | 40.00 | 0.89 | 0.80 |
| 30   | 6  | XMR306   |       | 30.00 |          |       |       |          |       |       |          |       |       | 1.03 | 0.55 |
| 30   | 8  |          |       |       | XSPR308  | 629   | 38.00 |          |       |       |          |       |       | 1.03 | 0.60 |
| 30   | 12 | XMR3012  |       | 30.00 |          |       |       |          |       |       |          |       |       | 1.03 | 0.75 |
| 30   | 16 | XMR3016  | 985   | 30.00 | XSPR3016 | 900   | 38.00 | XLPR3016 | 910   | 38.00 | XPPR3016 |       | 46.00 | 1.03 | 0.70 |
| 30   | 18 | XMR3018  | 990   | 30.00 | XSPR3018 | 885   | 38.00 | XLPR3018 | 965   | 38.00 | XPPR3018 | 860   | 46.00 | 1.03 | 0.75 |
| 30   | 20 | XMR3020  | 1,050 | 30.00 | XSPR3020 | 945   | 38.00 | XLPR3020 | 1,020 | 38.00 | XPPR3020 | 915   | 46.00 | 1.03 | 0.80 |
| 30   | 24 | XMR3024  | 1,165 | 30.00 | XSPR3024 | 1,060 | 38.00 | XLPR3024 | 1,125 | 38.00 | XPPR3024 | 1,020 | 46.00 | 1.03 | 0.89 |
| 36   | 14 | XMR3614  |       | 36.00 |          |       |       |          |       |       |          |       |       | 1.15 | 0.66 |
| 36   | 18 | XMR3618  |       | 36.00 |          |       |       |          |       |       |          |       |       | 1.15 | 0.75 |
| 36   | 20 | XMR3620  | 1,450 | 36.00 | XSPR3620 | 1,285 | 44.00 | XLPR3620 | 1,420 | 44.00 | XPPR3620 | 1,255 | 52.00 | 1.15 | 0.80 |
| 36   | 24 | XMR3624  | 1,580 | 36.00 | XSPR3624 | 1,410 | 44.00 | XLPR3624 | 1,535 | 44.00 | XPPR3624 | 1,370 | 52.00 | 1.15 | 0.89 |
| 36   | 30 | XMR3630  | 1,855 | 36.00 | XSPR3630 | 1,690 | 44.00 | XLPR3630 | 1,750 | 44.00 | XPPR3630 | 1,585 | 52.00 | 1.15 | 1.03 |
| 42   | 20 | XMR4220  | 1,915 | 42.00 | XSPR4220 | 1,705 | 50.00 | XLPR4220 | 1,880 | 50.00 | XPPR4220 | 1,670 | 58.00 | 1.28 | 0.80 |
| 42   | 24 | XMR4224  | 2,060 | 42.00 | XSPR4224 | 1,855 | 50.00 | XLPR4224 | 2,020 | 50.00 | XPPR4224 | 1,810 | 58.00 | 1.28 | 0.89 |
| 42   | 30 | XMR4230  | 2,370 | 42.00 | XSPR4230 | 2,165 | 50.00 | XLPR4230 | 2,265 | 50.00 | XPPR4230 | 2,055 | 58.00 | 1.28 | 1.03 |
| 42   | 36 | XMR4236  | 2,695 | 42.00 | XSPR4236 | 2,485 | 50.00 | XLPR4236 | 2,530 | 50.00 | XPPR4236 | 2,320 | 58.00 | 1.28 | 1.15 |
| 48   | 24 | XMR4824  |       | 45.00 | XSPR4824 |       | 56.00 |          |       |       |          |       |       | 1.42 | 0.89 |
| 48   | 30 | XMR4830  | 3,005 | 48.00 | XSPR4830 | 2,740 | 56.00 | XLPR4830 | 2,900 | 56.00 | XPPR4830 | 2,635 | 64.00 | 1.42 | 1.03 |
| 48   | 36 | XMR4836  | 3,370 | 48.00 | XSPR4836 | 3,100 | 56.00 | XLPR4836 | 3,205 | 56.00 | XPPR4836 | 2,940 | 64.00 | 1.42 | 1.15 |
| 48   | 42 | XMR4842  | 3,750 | 48.00 | XSPR4842 | 3,480 | 56.00 | XLPR4842 | 3,540 | 56.00 | XPPR4842 | 3,275 | 64.00 | 1.42 | 1.28 |



# C110 DUCTILE IRON MECHANICAL JOINT FITTINGS

## MJ x FLANGE ADAPTERS DUCTILE IRON

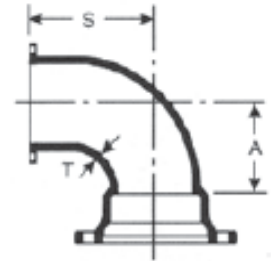
| Size | Item No. | Wt.  | L     | T    |
|------|----------|------|-------|------|
| 3    | XMFA3    | 30   | 8.00  | 0.48 |
| 4    | XMFA4    | 40   | 8.00  | 0.52 |
| 6    | XMFA6    | 60   | 8.00  | 0.55 |
| 8    | XMFA8    | 85   | 8.00  | 0.60 |
| 10   | XMFA10   | 115  | 8.00  | 0.68 |
| 12   | XMFA12   | 155  | 8.00  | 0.75 |
| 14   | XMFA14   | 195  | 8.00  | 0.66 |
| 16   | XMFA16   | 240  | 8.00  | 0.70 |
| 18   | XMFA18   | 280  | 8.00  | 0.75 |
| 20   | XMFA20   | 340  | 8.00  | 0.80 |
| 24   | XMFA24   | 455  | 8.00  | 0.89 |
| 30   | XMFA30   | 760  | 10.00 | 1.03 |
| 36   | XMFA36   | 1070 | 10.00 | 1.15 |
| 42   | XMFA42   | 1505 | 12.00 | 1.28 |
| 48   | XMFA48   | 1885 | 12.00 | 1.42 |



MJ x Flange Adapters

## MJ X FLANGE 90° BEND DUCTILE IRON

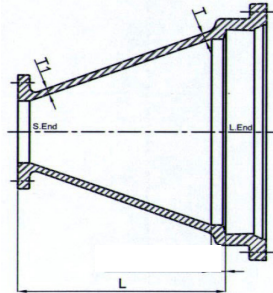
| SIZE | Item No. | A     | S     | T    |
|------|----------|-------|-------|------|
| 14   | XMFB1490 | 14.00 | 14.00 | 0.66 |
| 16   | XMFB1690 | 15.00 | 15.00 | 0.70 |
| 18   | XMFB1890 | 16.50 | 16.50 | 0.75 |
| 20   | XMFB2090 | 18.00 | 18.00 | 0.80 |
| 24   | XMFB2490 | 22.00 | 22.00 | 0.89 |
| 36   | XMFB3690 | 28.00 | 28.00 | 1.15 |



MJ x Flange Bend

## MJ X FLANGE 45° BEND DUCTILE IRON

| SIZE | Item No. | A     | S     | T    |
|------|----------|-------|-------|------|
| 30   | XMFB3045 | 15.00 | 15.00 | 1.03 |
| 36   | XMFB3645 | 18.00 | 18.00 | 1.15 |
| 42   | XMFB4245 | 21.00 | 21.00 | 1.28 |
| 48   | XMFB4845 | 24.00 | 24.00 | 1.42 |



MJ x Flange Reducer

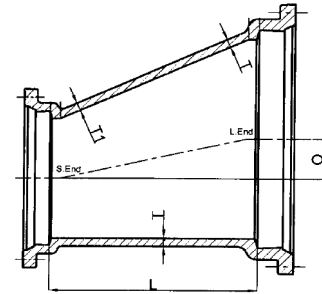
## MJ X FLANGE REDUCER DUCTILE IRON

| Size | Item No. | L        | T     | T1   | Wt.  |
|------|----------|----------|-------|------|------|
| 4    | 3        | XMFR43   | 7.00  | 0.52 | 0.48 |
| 6    | 3        | XMFR63   | 9.00  | 0.55 | 0.48 |
| 6    | 4        | XMFR64   | 9.00  | 0.55 | 0.52 |
| 8    | 4        | XMFR84   | 11.00 | 0.60 | 0.52 |
| 8    | 6        | XMFR86   | 11.00 | 0.60 | 0.55 |
| 10   | 4        | XMFR104  | 12.00 | 0.68 | 0.52 |
| 10   | 6        | XMFR106  | 12.00 | 0.68 | 0.55 |
| 10   | 8        | XMFR108  | 12.00 | 0.68 | 0.60 |
| 12   | 4        | XMFR124  | 14.00 | 0.75 | 0.52 |
| 12   | 6        | XMFR126  | 14.00 | 0.75 | 0.55 |
| 12   | 8        | XMFR128  | 14.00 | 0.75 | 0.60 |
| 12   | 10       | XMFR1210 | 14.00 | 0.75 | 0.68 |
| 14   | 6        | XMFR146  | 16.00 | 0.66 | 0.55 |
| 14   | 8        | XMFR148  | 16.00 | 0.66 | 0.60 |
| 14   | 10       | XMFR1410 | 16.00 | 0.66 | 0.68 |
| 14   | 12       | XMFR1412 | 16.00 | 0.66 | 0.75 |
| 16   | 6        | XMFR166  | 18.00 | 0.70 | 0.55 |
| 16   | 8        | XMFR168  | 18.00 | 0.70 | 0.60 |
| 16   | 10       | XMFR1610 | 18.00 | 0.70 | 0.68 |
| 16   | 12       | XMFR1612 | 18.00 | 0.70 | 0.75 |
| 16   | 14       | XMFR1614 | 18.00 | 0.70 | 0.66 |
| 18   | 6        | XMFR186  | 18.00 | 0.75 | 0.55 |
| 18   | 8        | XMFR188  | 19.00 | 0.75 | 0.60 |
| 18   | 10       | XMFR1810 | 19.00 | 0.75 | 0.68 |
| 18   | 12       | XMFR1812 | 19.00 | 0.75 | 0.75 |

| Size | Item No. | L        | T     | T1   | Wt.  |
|------|----------|----------|-------|------|------|
| 18   | 14       | XMFR1814 | 19.00 | 0.75 | 0.66 |
| 18   | 16       | XMFR1816 | 19.00 | 0.75 | 0.70 |
| 20   | 10       | XMFR2010 | 20.00 | 0.80 | 0.68 |
| 20   | 12       | XMFR2012 | 20.00 | 0.80 | 0.75 |
| 20   | 14       | XMFR2014 | 20.00 | 0.80 | 0.66 |
| 20   | 16       | XMFR2016 | 20.00 | 0.80 | 0.70 |
| 20   | 18       | XMFR2018 | 20.00 | 0.80 | 0.75 |
| 24   | 12       | XMFR2412 | 24.00 | 0.89 | 0.75 |
| 24   | 14       | XMFR2414 | 24.00 | 0.89 | 0.66 |
| 24   | 16       | XMFR2416 | 24.00 | 0.89 | 0.70 |
| 24   | 18       | XMFR2418 | 24.00 | 0.89 | 0.75 |
| 24   | 20       | XMFR2420 | 24.00 | 0.89 | 0.80 |
| 30   | 18       | XMFR3018 | 30.00 | 1.03 | 0.75 |
| 30   | 20       | XMFR3020 | 30.00 | 1.03 | 0.80 |
| 30   | 24       | XMFR3024 | 30.00 | 1.03 | 0.89 |
| 36   | 20       | XMFR3620 | 36.00 | 1.15 | 0.80 |
| 36   | 24       | XMFR3624 | 36.00 | 1.15 | 0.89 |
| 36   | 30       | XMFR3630 | 36.00 | 1.15 | 1.03 |
| 42   | 20       | XMFR4220 | 42.00 | 1.28 | 0.80 |
| 42   | 24       | XMFR4224 | 42.00 | 1.28 | 0.89 |
| 42   | 30       | XMFR4230 | 42.00 | 1.28 | 1.03 |
| 42   | 36       | XMFR4236 | 42.00 | 1.28 | 1.15 |
| 48   | 30       | XMFR4830 | 48.00 | 1.42 | 1.03 |
| 48   | 36       | XMFR4836 | 48.00 | 1.42 | 1.15 |
| 48   | 42       | XMFR4842 | 48.00 | 1.42 | 1.28 |

Weights in pounds, less accessories/Dimensions in inches





Eccentric Reducer

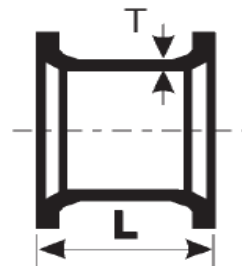
**ECCENTRIC REDUCER DUCTILE IRON**

| Size | Item No. | L        | T     | T1   | Wt.  |
|------|----------|----------|-------|------|------|
| 4    | 3        | XMRE43   | 7.00  | 0.52 | 0.48 |
| 6    | 3        | XMRE63   | 9.00  | 0.55 | 0.48 |
| 6    | 4        | XMRE64   | 9.00  | 0.55 | 0.52 |
| 8    | 4        | XMRE84   | 11.00 | 0.60 | 0.52 |
| 8    | 6        | XMRE86   | 11.00 | 0.60 | 0.55 |
| 10   | 4        | XMRE104  | 12.00 | 0.68 | 0.52 |
| 10   | 6        | XMRE106  | 12.00 | 0.68 | 0.55 |
| 10   | 8        | XMRE108  | 12.00 | 0.68 | 0.60 |
| 12   | 4        | XMRE124  | 14.00 | 0.75 | 0.52 |
| 12   | 6        | XMRE126  | 14.00 | 0.75 | 0.55 |
| 12   | 8        | XMRE128  | 14.00 | 0.75 | 0.60 |
| 12   | 10       | XMRE1210 | 14.00 | 0.75 | 0.68 |
| 14   | 6        | XMRE146  | 16.00 | 0.66 | 0.55 |
| 14   | 8        | XMRE148  | 16.00 | 0.66 | 0.60 |
| 14   | 10       | XMRE1410 | 16.00 | 0.66 | 0.68 |
| 14   | 12       | XMRE1412 | 16.00 | 0.66 | 0.75 |
| 16   | 6        | XMRE166  | 18.00 | 0.70 | 0.55 |
| 16   | 8        | XMRE168  | 18.00 | 0.70 | 0.60 |
| 16   | 10       | XMRE1610 | 18.00 | 0.70 | 0.68 |
| 16   | 12       | XMRE1612 | 18.00 | 0.70 | 0.75 |
| 16   | 14       | XMRE1614 | 18.00 | 0.70 | 0.66 |
| 18   | 8        | XMRE188  | 19.00 | 0.75 | 0.60 |
| 18   | 10       | XMRE1810 | 19.00 | 0.75 | 0.68 |
| 18   | 12       | XMRE1812 | 19.00 | 0.75 | 0.75 |
| 18   | 14       | XMRE1814 | 19.00 | 0.75 | 0.66 |
| 18   | 16       | XMRE1816 | 19.00 | 0.75 | 0.70 |
| 20   | 10       | XMRE2010 | 20.00 | 0.80 | 0.68 |
| 20   | 12       | XMRE2012 | 20.00 | 0.80 | 0.75 |
| 20   | 14       | XMRE2014 | 20.00 | 0.80 | 0.66 |
| 20   | 16       | XMRE2016 | 20.00 | 0.80 | 0.70 |
| 20   | 18       | XMRE2018 | 20.00 | 0.80 | 0.75 |

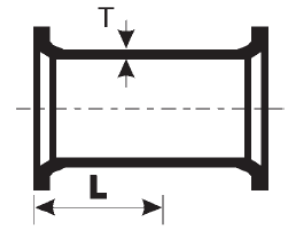
| Size | Item No. | L        | T     | T1   | Wt.  |
|------|----------|----------|-------|------|------|
| 24   | 6        | XMRE246  | 24.00 | 0.89 | 0.55 |
| 24   | 12       | XMRE2412 | 24.00 | 0.89 | 0.75 |
| 24   | 14       | XMRE2414 | 24.00 | 0.89 | 0.66 |
| 24   | 16       | XMRE2416 | 24.00 | 0.89 | 0.70 |
| 24   | 18       | XMRE2418 | 24.00 | 0.89 | 0.75 |
| 24   | 20       | XMRE2420 | 24.00 | 0.89 | 0.80 |
| 30   | 16       | XMRE3016 | 30.00 | 1.03 | 0.70 |
| 30   | 18       | XMRE3018 | 30.00 | 1.03 | 0.75 |
| 30   | 20       | XMRE3020 | 30.00 | 1.03 | 0.80 |
| 30   | 24       | XMRE3024 | 30.00 | 1.03 | 0.89 |
| 36   | 14       | XMRE3614 | 36.00 | 1.15 | 0.66 |
| 36   | 20       | XMRE3620 | 36.00 | 1.15 | 0.80 |
| 36   | 24       | XMRE3624 | 36.00 | 1.15 | 0.89 |
| 36   | 30       | XMRE3630 | 36.00 | 1.15 | 1.03 |
| 42   | 20       | XMRE4220 | 42.00 | 1.28 | 0.80 |
| 42   | 24       | XMRE4224 | 42.00 | 1.28 | 0.89 |
| 42   | 30       | XMRE4230 | 42.00 | 1.28 | 1.03 |
| 42   | 36       | XMRE4236 | 42.00 | 1.28 | 1.15 |
| 48   | 24       | XMRE4824 | 45.00 | 1.42 | 0.89 |
| 48   | 30       | XMRE4830 | 48.00 | 1.42 | 1.03 |
| 48   | 36       | XMRE4836 | 48.00 | 1.42 | 1.15 |
| 48   | 42       | XMRE4842 | 48.00 | 1.42 | 1.28 |

**SLEEVES DUCTILE IRON**

| Size | SHORT SLEEVES |      |      |       | LONG SLEEVES |      |      |       |
|------|---------------|------|------|-------|--------------|------|------|-------|
|      | Item No.      | L    | T    | Wt.   | Item No.     | L    | T    | Wt.   |
| 3    | XMS3          | 7.5  | .48  | 25    | XML3         | 12.0 | .48  | 30    |
| 4    | XMS4          | 7.5  | .52  | 35    | XML4         | 12.0 | .52  | 45    |
| 6    | XMS6          | 7.5  | .55  | 45    | XML6         | 12.0 | .55  | 65    |
| 8    | XMS8          | 7.5  | .60  | 65    | XML8         | 12.0 | .60  | 85    |
| 10   | XMS10         | 7.5  | .68  | 85    | XML10        | 12.0 | .68  | 115   |
| 12   | XMS12         | 7.5  | .75  | 110   | XML12        | 12.0 | .75  | 145   |
| 14   | XMS14         | 9.5  | .66  | 150   | XML14        | 15.0 | .66  | 195   |
| 16   | XMS16         | 9.5  | .70  | 180   | XML16        | 15.0 | .70  | 235   |
| 18   | XMS18         | 9.5  | .75  | 215   | XML18        | 15.0 | .75  | 285   |
| 20   | XMS20         | 9.5  | .80  | 240   | XML20        | 15.0 | .80  | 325   |
| 24   | XMS24         | 9.5  | .89  | 320   | XML24        | 15.0 | .89  | 425   |
| 30   | XMS30         | 15.0 | 1.03 | 635   | XML30        | 24.0 | 1.03 | 885   |
| 36   | XMS36         | 15.0 | 1.15 | 855   | XML36        | 24.0 | 1.15 | 1,190 |
| 42   | XMS42         | 15.0 | 1.28 | 1,115 | XML42        | 24.0 | 1.28 | 1,550 |
| 48   | XMS48         | 15.0 | 1.42 | 1,385 | XML48        | 24.0 | 1.42 | 1,940 |



Short Sleeves



Long Sleeves

**MODIFIED SLEEVES DUCTILE IRON**

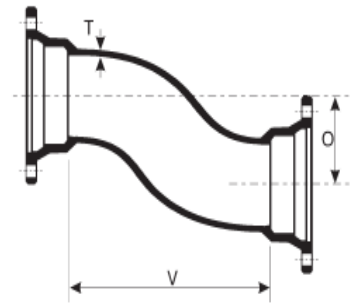
| Size | LONG SLEEVES |    |     |
|------|--------------|----|-----|
|      | Item No.     | L  | Wt. |
| 4    | XMML4        | 12 | 46  |
| 6    | XMML6        | 12 | 63  |
| 8    | XMML8        | 12 | 84  |
| 10   | XMML10       | 12 | 115 |
| 12   | XMML12       | 12 | 149 |
| 16   | XMML16       | 15 | 235 |
| 20   | XMML20       | 15 | 362 |
| 24   | XMML24       | 15 | 484 |



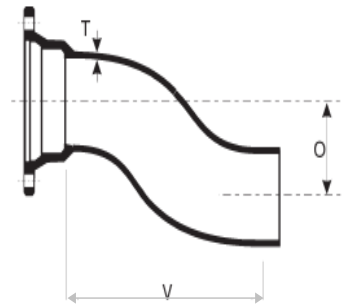
# C110 DUCTILE IRON MECHANICAL JOINT FITTINGS

## OFFSETS DUCTILE IRON

| MJ x MJ<br>Size | Item No. | Wt.  | O  | V  | T    | MJ x PE<br>Item No. | Wt. | O  | V  | T    |
|-----------------|----------|------|----|----|------|---------------------|-----|----|----|------|
| 3 x 5           | XMO35    | 50   | 5  | 19 | 0.48 | XMQ35               |     | 5  | 27 | 0.48 |
| 3x6             | XMO36    | 50   | 6  | 19 | 0.48 |                     |     |    |    |      |
| 3x12            | XMO312   | 60   | 12 | 22 | 0.48 | XMQ312              | 60  | 12 | 30 | 0.48 |
| 3x18            | XMO318   | 75   | 18 | 30 | 0.48 | XMQ318              | 75  | 18 | 38 | 0.48 |
| 4x6             | XMO46    | 75   | 6  | 19 | 0.52 | XMQ46               | 70  | 6  | 27 | 0.52 |
| 4x12            | XMO412   | 85   | 12 | 22 | 0.52 | XMQ412              | 80  | 12 | 30 | 0.52 |
| 4x18            | XMO418   | 105  | 18 | 30 | 0.52 | XMQ418              | 100 | 18 | 38 | 0.52 |
| 4x24            |          |      |    |    |      | XMQ424              |     | 24 | 44 | 0.52 |
| 6x6             | XMO66    | 110  | 6  | 20 | 0.55 | XMQ66               | 105 | 6  | 28 | 0.55 |
| 6x12            | XMO612   | 135  | 12 | 26 | 0.55 | XMQ612              | 130 | 12 | 34 | 0.55 |
| 6x18            | XMO618   | 165  | 18 | 33 | 0.55 | XMQ618              | 160 | 18 | 41 | 0.55 |
| 6x24            | XMO624   | 195  | 24 | 39 | 0.55 | XMQ624              | 195 | 24 | 47 | 0.55 |
| 8x6             | XMO86    | 160  | 6  | 21 | 0.60 | XMQ86               | 155 | 6  | 29 | 0.60 |
| 8x12            | XMO812   | 200  | 12 | 28 | 0.60 | XMQ812              | 195 | 12 | 36 | 0.60 |
| 8x18            | XMO818   | 245  | 18 | 35 | 0.60 | XMQ818              | 240 | 18 | 43 | 0.60 |
| 8x24            | XMO824   | 325  | 24 | 41 | 0.60 | XMQ824              |     | 24 | 49 | 0.60 |
| 10x6            | XMO106   | 220  | 6  | 22 | 0.68 | XMQ106              | 220 | 6  | 30 | 0.68 |
| 10x12           | XMO1012  | 250  | 12 | 30 | 0.68 | XMQ1012             | 250 | 12 | 38 | 0.68 |
| 10x18           | XMO1018  | 340  | 18 | 38 | 0.68 | XMQ1018             | 340 | 18 | 46 | 0.68 |
| 10x24           | XMO1024  | 400  | 24 | 44 | 0.68 | XMQ1024             |     | 24 | 52 | 0.68 |
| 12x6            | XMO126   | 320  | 6  | 26 | 0.75 | XMQ126              | 320 | 6  | 34 | 0.75 |
| 12x12           | XMO1212  | 420  | 12 | 37 | 0.75 | XMQ1212             | 420 | 12 | 45 | 0.75 |
| 12x18           | XMO1218  | 520  | 18 | 48 | 0.75 | XMQ1218             | 520 | 18 | 56 | 0.75 |
| 12x24           | XMO1224  | 600  | 24 | 54 | 0.75 | XMQ1224             |     | 24 | 62 | 0.75 |
| 14 x 6          | XMO146   | 380  | 6  | 27 | 0.66 | XMQ146              | 365 | 6  | 35 | 0.66 |
| 14 x 12         | XMO1412  | 480  | 12 | 38 | 0.66 | XMQ1412             | 465 | 12 | 46 | 0.66 |
| 14 x 18         | XMO1418  | 585  | 18 | 49 | 0.66 | XMQ1418             | 570 | 18 | 57 | 0.66 |
| 14 x 24         | XMO1424  |      | 24 | 55 | 0.66 | XMQ1424             |     | 24 | 63 | 0.66 |
| 16 x 6          | XMO166   | 460  | 6  | 27 | 0.70 | XMQ166              | 440 | 6  | 35 | 0.70 |
| 16 x 12         | XMO1612  | 600  | 12 | 40 | 0.70 | XMQ1612             | 690 | 12 | 48 | 0.70 |
| 16 x 18         | XMO1618  | 710  | 18 | 50 | 0.70 | XMQ1618             | 690 | 18 | 58 | 0.70 |
| 16 x 24         | XMO1624  |      | 24 | 56 | 0.70 | XMQ1624             |     | 24 | 64 | 0.70 |
| 18 x 6          | XMO186   |      | 6  | 28 | 0.75 | XMQ186              |     | 6  | 36 | 0.75 |
| 18 x 12         | XMO1812  |      | 12 | 40 | 0.75 | XMQ1812             |     | 12 | 48 | 0.75 |
| 18 x 18         | XMO1818  |      | 18 | 51 | 0.75 | XMQ1818             |     | 18 | 59 | 0.75 |
| 18 x 24         | XMO1824  |      | 24 | 57 | 0.75 | XMQ1824             |     | 24 | 65 | 0.75 |
| 20 x 6          | XMO206   |      | 6  | 28 | 0.80 | XMQ206              |     | 6  | 36 | 0.80 |
| 20x12           | XMO2012  | 725  | 12 | 40 | 0.80 | XMQ2012             |     | 12 | 48 | 0.80 |
| 20x18           | XMO2018  | 1050 | 18 | 52 | 0.80 | XMQ2018             |     | 18 | 60 | 0.80 |
| 20x24           | XMO2024  | 1245 | 24 | 58 | 0.80 | XMQ2024             |     | 24 | 66 | 0.80 |
| 24 x 6          | XMO246   |      | 6  | 28 | 0.89 | XMQ246              |     | 6  | 36 | 0.89 |
| 24 x 12         | XMO2412  |      | 12 | 40 | 0.89 | XMQ2412             |     | 12 | 48 | 0.89 |
| 24 x 18         | XMO2418  |      | 18 | 52 | 0.89 | XMQ2418             |     | 18 | 60 | 0.89 |
| 24 x 24         | XMO2424  |      | 24 | 58 | 0.89 | XMQ2424             |     | 24 | 66 | 0.89 |



MJ x MJ



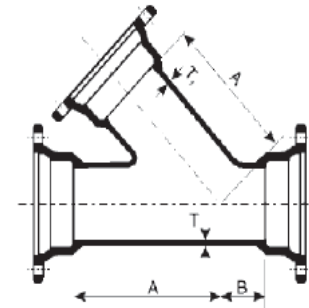
MJ x PE





**LATERAL WYES DUCTILE IRON**

| Size |    | Item No. | Wt.   | A     | B     | C     | T    | T1   |
|------|----|----------|-------|-------|-------|-------|------|------|
| Run  | Br |          |       |       |       |       |      |      |
| 3    | 3  | XMY33    | 60    | 10.00 | 3.00  | 10.00 | 0.48 | 0.48 |
| 4    | 3  | XMY43    | 85    | 12.00 | 3.00  | 12.00 | 0.52 | 0.48 |
| 4    | 4  | XMY44    | 95    | 12.00 | 3.00  | 12.00 | 0.52 | 0.52 |
| 6    | 3  | XMY63    | 125   | 14.50 | 3.50  | 14.50 | 0.55 | 0.48 |
| 6    | 4  | XMY64    | 135   | 14.50 | 3.50  | 14.50 | 0.55 | 0.52 |
| 6    | 6  | XMY66    | 150   | 14.50 | 3.50  | 14.50 | 0.55 | 0.55 |
| 8    | 4  | XMY84    | 190   | 17.50 | 4.50  | 17.50 | 0.60 | 0.52 |
| 8    | 6  | XMY86    | 205   | 17.50 | 4.50  | 17.50 | 0.60 | 0.55 |
| 8    | 8  | XMY88    | 225   | 17.50 | 4.50  | 17.50 | 0.60 | 0.60 |
| 10   | 4  | XMY104   | 270   | 20.50 | 5.00  | 20.50 | 0.68 | 0.52 |
| 10   | 6  | XMY106   | 285   | 20.50 | 5.00  | 20.50 | 0.68 | 0.55 |
| 10   | 8  | XMY108   | 305   | 20.50 | 5.00  | 20.50 | 0.68 | 0.60 |
| 10   | 10 | XMY1010  | 375   | 20.50 | 5.00  | 20.50 | 0.68 | 0.68 |
| 12   | 4  | XMY124   | 380   | 24.50 | 5.50  | 24.50 | 0.75 | 0.52 |
| 12   | 6  | XMY126   | 390   | 24.50 | 5.50  | 24.50 | 0.75 | 0.55 |
| 12   | 8  | XMY128   | 415   | 24.50 | 5.50  | 24.50 | 0.75 | 0.60 |
| 12   | 10 | XMY210   | 500   | 24.50 | 5.50  | 24.50 | 0.75 | 0.68 |
| 12   | 12 | XMY1212  | 535   | 24.50 | 5.50  | 24.50 | 0.75 | 0.75 |
| 14   | 4  | XMY144   | 540   | 27.00 | 6.00  | 27.00 | 0.66 | 0.52 |
| 14   | 6  | XMY146   | 565   | 27.00 | 6.00  | 27.00 | 0.66 | 0.55 |
| 14   | 8  | XMY148   | 595   | 27.00 | 6.00  | 27.00 | 0.66 | 0.60 |
| 14   | 10 | XMY1410  | 630   | 27.00 | 6.00  | 27.00 | 0.66 | 0.68 |
| 14   | 12 | XMY1412  | 690   | 27.00 | 6.00  | 27.00 | 0.66 | 0.75 |
| 14   | 14 | XMY1414  | 700   | 27.00 | 6.00  | 27.00 | 0.66 | 0.66 |
| 16   | 4  | XMY164   | 720   | 30.00 | 6.50  | 30.00 | 0.70 | 0.52 |
| 16   | 6  | XMY166   | 755   | 30.00 | 6.50  | 30.00 | 0.70 | 0.55 |
| 16   | 8  | XMY168   | 790   | 30.00 | 6.50  | 30.00 | 0.70 | 0.60 |
| 16   | 10 | XMY1610  | 850   | 30.00 | 6.50  | 30.00 | 0.70 | 0.68 |
| 16   | 12 | XMY1612  | 905   | 30.00 | 6.50  | 30.00 | 0.70 | 0.75 |
| 16   | 14 | XMY1614  | 865   | 30.00 | 6.50  | 30.00 | 0.70 | 0.66 |
| 16   | 16 | XMY1616  | 890   | 30.00 | 6.50  | 30.00 | 0.70 | 0.70 |
| 18   | 4  | XMY184   | 925   | 25.00 | 1.00  | 27.50 | 0.75 | 0.52 |
| 18   | 6  | XMY186   | 960   | 25.00 | 1.00  | 27.50 | 0.75 | 0.55 |
| 18   | 8  | XMY188   | 1,015 | 25.00 | 1.00  | 27.50 | 0.75 | 0.60 |
| 18   | 10 | XMY1810  | 1,070 | 32.00 | 7.00  | 32.00 | 0.75 | 0.68 |
| 18   | 12 | XMY1812  | 1,130 | 32.00 | 7.00  | 32.00 | 0.75 | 0.75 |
| 18   | 14 | XMY1814  | 1,115 | 32.00 | 7.00  | 32.00 | 0.75 | 0.66 |
| 18   | 16 | XMY1816  | 1,150 | 32.00 | 7.00  | 32.00 | 0.75 | 0.70 |
| 18   | 18 | XMY1818  | 1,190 | 32.00 | 7.00  | 32.00 | 0.75 | 0.75 |
| 20   | 4  | XMY204   | 1,250 | 27.00 | 0.00  | 29.50 | 0.80 | 0.52 |
| 20   | 6  | XMY206   | 1,300 | 27.00 | 0.00  | 29.50 | 0.80 | 0.55 |
| 20   | 8  | XMY208   | 1,365 | 27.00 | 0.00  | 29.50 | 0.80 | 0.60 |
| 20   | 10 | XMY2010  | 1,435 | 27.00 | 1.00  | 29.50 | 0.80 | 0.68 |
| 20   | 12 | XMY2012  | 540   | 35.00 | 8.00  | 35.00 | 0.80 | 0.75 |
| 20   | 14 | XMY2014  | 565   | 35.00 | 8.00  | 35.00 | 0.80 | 0.66 |
| 20   | 16 | XMY2016  | 595   | 35.00 | 8.00  | 35.00 | 0.80 | 0.70 |
| 20   | 18 | XMY2018  | 630   | 35.00 | 8.00  | 35.00 | 0.80 | 0.75 |
| 20   | 20 | XMY2020  | 690   | 35.00 | 8.00  | 35.00 | 0.80 | 0.80 |
| 24   | 6  | XMY246   | 953   | 31.50 | 0.50  | 31.50 | 0.89 | 0.55 |
| 24   | 8  | XMY248   | 1,625 | 31.50 | 0.00  | 34.50 | 0.89 | 0.60 |
| 24   | 10 | XMY2410  | 1660  | 31.50 | 0.50  | 34.50 | 0.89 | 0.68 |
| 24   | 12 | XMY2412  | 1700  | 31.50 | 0.50  | 34.50 | 0.89 | 0.75 |
| 24   | 14 | XMY2414  | 1,760 | 40.50 | 9.00  | 40.50 | 0.89 | 0.66 |
| 24   | 16 | XMY2416  | 1,815 | 40.50 | 9.00  | 40.50 | 0.89 | 0.70 |
| 24   | 18 | XMY2418  | 1,880 | 40.50 | 9.00  | 40.50 | 0.89 | 0.75 |
| 24   | 20 | XMY2420  | 1,950 | 40.50 | 9.00  | 40.50 | 0.89 | 0.80 |
| 24   | 24 | XMY2424  | 2,115 | 40.50 | 9.00  | 40.50 | 0.89 | 0.89 |
| 30   | 8  | XMY308   | 49.00 | 10.00 | 49.00 | 1.03  | 0.60 |      |
| 30   | 12 | XMY3012  | 2,850 | 49.00 | 10.00 | 49.00 | 1.03 | 0.75 |
| 30   | 14 | XMY3014  | 2,915 | 49.00 | 10.00 | 49.00 | 1.03 | 0.66 |
| 30   | 16 | XMY3016  | 2,975 | 49.00 | 10.00 | 49.00 | 1.03 | 0.70 |
| 30   | 18 | XMY3018  | 3,040 | 49.00 | 10.00 | 49.00 | 1.03 | 0.75 |
| 30   | 20 | XMY3020  | 3,115 | 49.00 | 10.00 | 49.00 | 1.03 | 0.80 |
| 30   | 24 | XMY3024  | 3,280 | 49.00 | 10.00 | 49.00 | 1.03 | 0.89 |
| 30   | 30 | XMY3030  | 3,670 | 52.50 | 18.25 | 52.50 | 1.03 | 1.03 |



Lateral Wyes

| Size |    | Item No. | Wt.  | A     | B     | C     | T    | T1   |
|------|----|----------|------|-------|-------|-------|------|------|
| Run  | Br |          |      |       |       |       |      |      |
| 36   | 12 | XMY3612  | 4895 | 54.00 | 15.25 | 54.00 | 1.15 | 0.75 |
| 36   | 14 | XMY3614  | 4970 | 54.00 | 15.25 | 54.00 | 1.15 | 0.66 |
| 36   | 16 | XMY3616  | 5040 | 54.00 | 15.25 | 54.00 | 1.15 | 0.70 |
| 36   | 18 | XMY3618  | 5120 | 54.00 | 15.25 | 54.00 | 1.15 | 0.75 |
| 36   | 20 | XMY3620  | 5205 | 54.00 | 15.25 | 54.00 | 1.15 | 0.80 |
| 36   | 24 | XMY3624  | 5390 | 54.00 | 15.25 | 54.00 | 1.15 | 0.89 |
| 36   | 30 | XMY3630  | 5805 | 56.00 | 15.25 | 56.00 | 1.15 | 1.03 |
| 36   | 36 | XMY3636  | 6335 | 60.00 | 19.50 | 60.00 | 1.15 | 1.15 |
| 42   | 12 | XMY4212  |      | 52.00 | 0.00  | 52.00 | 1.78 | 0.75 |
| 42   | 20 | XMY4220  |      | 60.00 | 12.00 | 60.00 | 1.28 | 0.80 |
| 42   | 24 | XMY4224  |      | 60.00 | 12.00 | 60.00 | 1.28 | 0.89 |
| 42   | 30 | XMY4230  |      | 63.00 | 12.00 | 63.00 | 1.28 | 1.03 |
| 42   | 36 | XMY4236  |      | 66.00 | 12.00 | 66.00 | 1.28 | 1.15 |
| 42   | 42 | XMY4242  |      | 71.00 | 15.00 | 71.00 | 1.28 | 1.28 |
| 48   | 6  | XMY486   |      | 52.00 | 0.00  | 66.00 | 1.42 | 0.55 |
| 48   | 8  | XMY488   |      | 52.00 | 0.00  | 60.00 | 1.42 | 0.60 |
| 48   | 12 | XMY4812  |      | 52.00 | 0.00  | 66.00 | 1.42 | 0.75 |
| 48   | 16 | XMY4816  |      | 52.00 | 0.00  | 66.00 | 1.42 | 0.70 |
| 48   | 20 | XMY4820  |      | 52.00 | 0.00  | 66.00 | 1.42 | 0.80 |
| 48   | 24 | XMY4824  |      | 58.00 | 5.00  | 64.00 | 1.42 | 0.89 |
| 48   | 30 | XMY4830  |      | 59.00 | 4.00  | 64.00 | 1.42 | 1.03 |
| 48   | 36 | XMY4836  |      | 64.00 | 5.00  | 68.00 | 1.42 | 1.15 |
| 48   | 42 | XMY4842  |      | 77.00 | 12.00 | 77.00 | 1.42 | 1.28 |
| 48   | 48 | XMY4848  |      | 77.00 | 16.00 | 77.00 | 1.42 | 1.42 |

**42" and 48" lateral wyes are available on special order.**

**Contact SIGMA for details.**



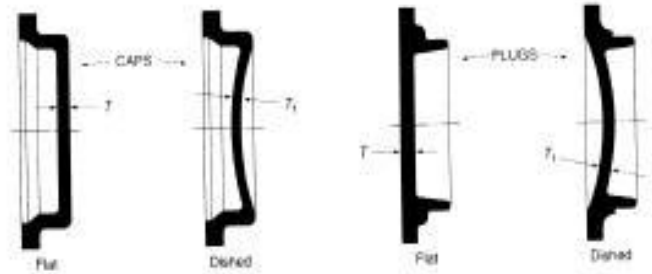


# C110 DUCTILE IRON MECHANICAL JOINT FITTINGS

## CAPS AND PLUGS DUCTILE IRON

| Size | CAPS  |        |      |      |       | PLUGS |        |      |      |       |
|------|-------|--------|------|------|-------|-------|--------|------|------|-------|
|      | Solid | Tapped | T    | T1   | Wt.   | Solid | Tapped | T    | T1   | Wt.   |
| 2    |       |        |      |      |       | XMP2  |        | 0.48 |      |       |
| 3    | XMK3  | XTK3   | 0.50 | 0.48 | 12    | XMP3  | XTP3   | 0.50 | 0.48 | 10    |
| 4    | XMK4  | XTK4   | 0.60 | 0.52 | 15    | XMP4  | XTP4   | 0.60 | 0.52 | 15    |
| 6    | XMK6  | XTK6   | 0.56 | 0.55 | 25    | XMP6  | XTP6   | 0.65 | 0.55 | 25    |
| 8    | XMK8  | XTK8   | 0.70 | 0.60 | 45    | XMP8  | XTP8   | 0.70 | 0.60 | 45    |
| 10   | XMK10 | XTK10  | 0.75 | 0.68 | 60    | XMP10 | XTP10  | 0.75 | 0.68 | 65    |
| 12   | XMK12 | XTK12  | 0.75 | 0.75 | 80    | XMP12 | XTP12  | 0.75 | 0.75 | 90    |
| 14   | XMK14 | XTK14  | 0.32 | 0.66 | 110   | XMP14 | XTP14  | 0.32 | 0.66 | 115   |
| 16   | XMK16 | XTK16  | 0.89 | 0.70 | 150   | XMP16 | XTP16  | 0.59 | 0.70 | 145   |
| 18   | XMK18 | XTK18  | 0.96 | 0.75 | 185   | XMP18 | XTP18  | 0.96 | 0.75 | 180   |
| 20   | XMK20 | XTK20  | 1.03 | 0.80 | 200   | XMP20 | XTP20  | 1.03 | 0.80 | 200   |
| 24   | XMK24 | XTK24  | 1.16 | 0.89 | 300   | XMP24 | XTP24  | 1.16 | 0.89 | 390   |
| 30   | XMK30 | XTK30  |      | 1.03 | 590   | XMP30 | XTP30  |      | 1.03 | 573   |
| 36   | XMK36 | XTK36  |      | 1.15 | 850   | XMP36 | XTP36  |      | 1.15 | 815   |
| 42   | XMK42 | XTK42  |      | 1.28 | 1,180 | XMP42 | XTP42  |      | 1.28 | 1,110 |
| 48   | XMK48 | XTK48  |      | 1.42 | 1,595 | XMP48 | XTP48  |      | 1.42 | 1,455 |

| Size | PLUGS  |      |      |     |
|------|--------|------|------|-----|
|      | Solid  | T    | T1   | Wt. |
| 3    | XMMP3  | 0.50 | 0.48 | 10  |
| 4    | XMMP4  | 0.60 | 0.52 | 16  |
| 6    | XMMP6  | 0.65 | 0.55 | 26  |
| 8    | XMMP8  | 0.70 | 0.60 | 47  |
| 10   | XMMP10 | 0.75 | 0.68 | 65  |
| 12   | XMMP12 | 0.75 | 0.75 | 88  |
| 14   | XMMP14 | 0.32 | 0.66 |     |
| 16   | XMMP16 | 0.59 | 0.70 | 145 |
| 18   | XMMP18 | 0.96 | 0.75 | 185 |
| 20   | XMMP20 | 1.03 | 0.80 | 225 |
| 24   | XMMP24 | 1.16 | 0.89 | 335 |



**C110 Flanged Fittings Non-Standard Items:**

| Item #   | Description  |
|----------|--|
| •XMB106  | C110 DI 10" X 6" MJ X MJ REDUCING BEND             |
| •XMB211  | C110 DI 2" MJ x MJ 11-1/4 DEGREE BEND              |
| •XMB222  | C110 DI 2" MJ x MJ 22-1/2 DEGREE BEND              |
| •XMB245  | C110 DI 2" MJ x MJ 45 DEGREE BEND                  |
| •XMB290  | C110 DI 2" MJ x MJ 90 DEGREE BEND                  |
| •XMB4205 | C110 DI 42" X 42" MJ X MJ 5-5/8 DEGREE BEND        |
| •XMB4805 | C110 DI 48" X 48" MJ X MJ 5-5/8 DEGREE BEND        |
| •XMB84   | C110 DI 8" X 4" MJ X MJ REDUCING BEND              |
| •XMC164  | C110 DI 16" X 4" MJ X MJ CROSS                     |
| •XMC22   | C110 DI 2" X 2" MJ X MJ CROSS                      |
| •XMC32   | C110 DI 3" X 2" MJ X MJ CROSS                      |
| •XMC83   | C110 DI 8" X 3" MJ X MJ CROSS                      |
| •XMH366  | C110 DI 36" X 6" MJ X SWL TEE                      |
| •XMS2    | C110 DI 2" X 2" MJ X MJ SHORT SLEEVE               |
| •XMT103  | C110 DI 10" X 3" MJ X MJ TEE                       |
| •XMT123  | C110 DI 12" X 3" MJ X MJ TEE                       |
| •XMT32   | C110 DI 3" X 2" MJ X MJ TEE                        |
| •XMT343  | C110 DI 3" X 4" X 3" MJ X MJ X MJ TEE              |
| •XMT42   | C110 DI 4" X 2" MJ X MJ TEE                        |
| •XMT426  | C110 DI 42" X 6" MJ X MJ TEE                       |
| •XMT446  | C110 DI 4" X 4" X 6" MJ X MJ X MJ TEE MC: W/ 6" SI |
| •XMT83   | C110 DI 8" X 3" MJ X MJ TEE                        |
| •XMY83   | C110 DI 8" X 3" MJ X MJ WYE                        |

*Note: Contact SIGMA for more information on non-standard fittings*



## LOCATIONS

### Northeast Region

#### Cream Ridge, New Jersey (HQ)

700 Goldman Drive  
Cream Ridge, NJ 08514  
Phone (800) 999-2550  
Fax (609) 758-1158  
crmcsr@sigmaco.com

### REPCO

395 Boul. Labbé Nord  
Victoriaville, Qc G6P 1B1  
Phone (888) 744-6262  
Fax (819) 758-1153  
jboucher@repco.ca

### Concord Supply

2353 Bowman Street  
Innisfil, Ontario L9S 3V6  
Phone (877) 436-3800  
Fax (705) 436-6338  
tanya@concordsupply.ca

### Midwest Region

#### Sauk Village, Illinois

21699 Torrence Avenue  
Sauk Village, IL 60411  
Phone (888) 999-0420  
Fax (708) 758-6790  
chicsr@sigmaco.com

### Southeast Region

#### Alexander City, Alabama

1500 Highway 22 W  
Alexander City, AL 35010  
Phone (800) 824-4513  
Fax (256) 234-4956  
alxcsr@sigmaco.com

### Southwest Region

#### Houston, Texas

5000 Askins Lane  
Houston, TX 77093  
Phone (800) 999-0109  
Fax (281) 987-0200  
htncsr@sigmaco.com

### Western Region

#### Ontario, California

4652 E. Guasti Road  
Ontario, CA 91761  
Phone (800) 688-6230  
Fax (909) 391-2033  
ontcsr@sigmaco.com

### Auburn, Washington (Branch)

902 W Main Street  
Auburn, WA 98001  
Phone (800) 688-6230  
Fax (909) 391-2033  
ontcsr@sigmaco.com

[www.sigmaco.com](http://www.sigmaco.com)

Terms and Conditions of Sales available at our website.

## AWWA Ductile Iron Fittings



- 2-64" C153 Ductile Iron Mechanical Joint Fittings
- 2-48" C110 Ductile Iron Mechanical Joint Fittings
- 2-64" C110 Ductile Iron Flanged Fittings
- 3-24" C153 Ductile Iron Push-On Fittings
- 4-24" C110 Ductile Iron Push-On Fittings
- 3-36" Ductile Iron Mechanical Joint Connector
- C116 Fusion Bonded Epoxy Lining Available
- PROTECTO 401® Ceramic Epoxy Lining Available

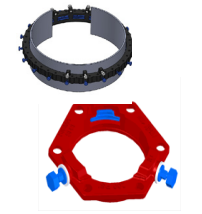
Visit our website for available special coatings. <http://www.sigmaco.com/fittings-coatings-linings/>

## Mechanical Joint Accessories



- Prepackaged and Loose Mechanical Joint Accessories
- SIGMASEAL™ Improved Mechanical Joint Gasket
- Snap-On Multi-Purpose Gasket for Ductile Iron or PVC Pressure Pipes
- OMNI-SLEEVE™ Improved Wall Penetration Sleeve
- Specialty Bolts and Nuts for Mechanical Joint Assemblies

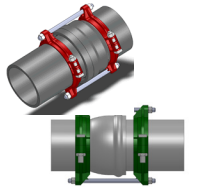
## ONE-LOK™ Wedge Action Restraints



- 4-48" ONE-LOK D-SLDE Domestic Wedge Restraint for Ductile Iron Pipe
- 3-64" ONE-LOK SLDE Wedge Restraint for Ductile Iron Pipe (Import)
- 4-48" ONE-LOK T-SLDE Tandem Wedge Restraint for High Pressure Ductile Iron Pipe
- 3-36" ONE-LOK D-SLCE Domestic Wedge Restraint for PVC Pipe
- 3-12" ONE-LOK SLC Wedge Restraint for PVC Pipe (Import)
- 3-60" ONE-LOK SLCE Wedge Restraint for PVC Pipe (Import)
- 3-42" ONE-LOK SLDEH Wedge Harness Restraint for Ductile Iron Pipe
- 4-12" /16" /20" ONE-LOK SLDM Wedge Restraint for Oversized Cast Iron Pipe
- 4-48" ONE-LOK SSLD Split Wedge Restraint for Installed Ductile Iron Pipe & Fitting
- 4-36" ONE-LOK SSLDH Split Wedge Harness Restraint for Installed Ductile Iron Pipe
- 4-12" ONE-LOK SLCEH Wedge Harness Restraint for AWWA C900 PVC Pipe

Visit our website for available special coatings. <http://www.sigmaco.com/pipe-restraint-product-coatings-linings/>

## PV-LOK™ Serration Lock Restraints



- 4-48" PV-LOK PWM Serrated Restraint for Ductile Iron Fitting & AWWA C900/905 PVC Pipe
- 4-48" PV-LOK PWP Serrated Bell Joint Restraint for AWWA C900/905 PVC Pipe
- 4-12" PV-LOK D-PWP Domestic Serrated Bell Joint Restraint for AWWA C900 PVC Pipe
- 4-12" PV-LOK PVPF Restraint for AWWA C900/905 PVC Pipe & PVC Fitting
- 4-12" PV-LOK PWH Serrated Harness Restraint for AWWA C900 PVC Pipe
- 2-12" PV-LOK PVM Serrated Restraint for Ductile Iron & IPS OD PVC pipe
- 2-12" PV-LOK PVP Serrated Bell Joint Restraint for IPS OD PVC Pipe
- 2-8" PV-LOK PVPF Serrated Restraint for IPS OD PVC Pipe & PVC Fitting
- 4-12" PV-LOK PWP Serrated Bell Joint Restraint for Ductile Iron Pipe

Visit our website for available special coatings. <http://www.sigmaco.com/pipe-restraint-product-coatings-linings/>

## HDPE (Raven) Products



- Rotational Molded Meter Boxes & Pits
- Optional White Interior Available
- Light & Medium Duty Load Capacities
- Extensive Nationwide Inventory
- Rotational Molded Oil-Water Separators
- OEM Service Available

## Municipal Construction Castings



- Manhole Rings and Covers
- Curb and Meter Boxes
- Frames and Grates
- Storm Inlets
- Valve Boxes, Risers, and Extensions

## Products for the Ductile Iron Fabricator



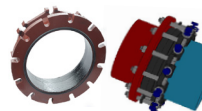
- 3-64" High Hub Threaded Flanges
- 3-48" Tapped High Hub Threaded Flanges
- 3-36" Extra Heavy 250lb Drilled Threaded Flanges
- 3-48" Threaded MJ Bell Adapters
- 3-48" MJ x PE Bell adapter
- 3-48" Anchor Flanges
- 3-16" Filler Flanges

## Extended Range Products



- Flange-Pak™ Prepackaged Flange Accessory Sets
- Polyethylene Encasement for Ductile Iron Pipe
- Copper Tubing Products
- Tracer Wire & Detectable/Non-Detectable Marking Tape
- Pipe Joint Lubricant & Hydraulic Cement
- Socket Clamps and Tie Rod Accessories
- Boxlok Valve Box Alignment Device
- Cast Iron Companion Flanges

## Flange Adapters



- 3-36" SIGMAFLANGE Flange Adapter Sleeve for PVC and Ductile Iron Pipe
- 2-48" ZIP FLANGE Set Screw Style Flange Adapter
- 3-36" SIGMAFLANGE Universal Joint for Flanged Fittings, Flanged Pipes & Valves