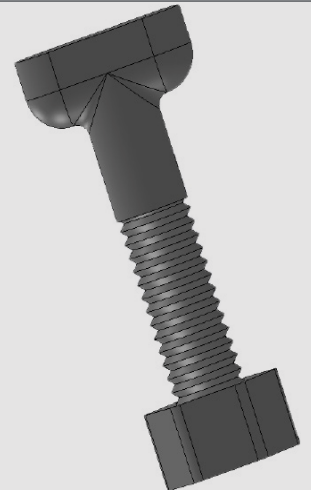
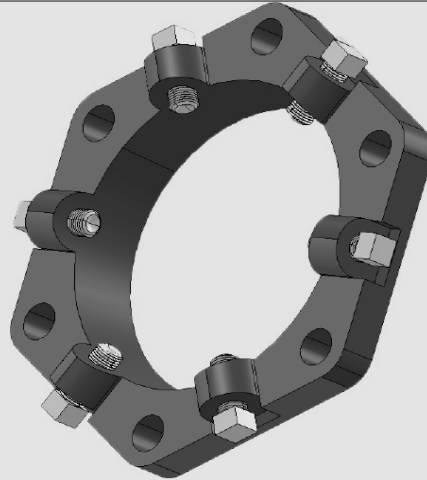
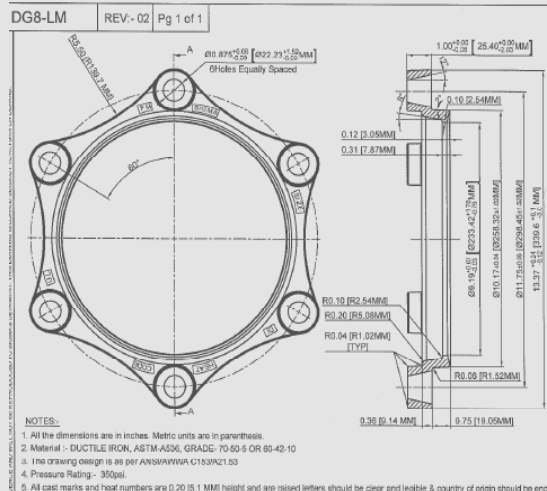


# Accessory Products Price List Canadian Market (effective 6/1/2021-3)



- **Prepackaged Mechanical Joint Accessories**
- **Mechanical Joint Glands**
- **Ductile Iron Set Screw Retainer Glands**
- **Mechanical Joint T-Bolts And Nuts**
- **Mechanical Joint And Transition Gaskets**
- **SIGMASEAL™ Improved MJ Gasket**



# **SIGMA™**

## **ACCESSORIES PRICE LIST CANADIAN MARKET**



**Effective June 1, 2021-3**

**Please contact your local sales team for pricing and information on:**

- 1. Tie rod accessories (eyebolts, threaded rod, duc lugs, etc.)**
- 2. Special material bolts (zinc, SS304/SS316, etc.)**
- 3. Special material gaskets (EDPM, Nitrile, etc.)**

# TERMS, CONDITIONS AND GUIDELINES OF SALES

1. All orders are subject to approval and written acceptance by SIGMA Corp.
2. **PRICES:** Prices are subject to change without notice, except that prices in responses referencing specific RFQs (“Project Prices”) submitted for Project Jobs will be honored for 90 days from the date on the response, unless modified or revoked in writing within that time. Buyer must make specific request if longer lead time is required when the RFQ is processed for quotation. Prices, including Project Prices, exclude all Tax Amounts, as set forth in Section 6 below. **FOR THE AVOIDANCE OF DOUBT, BUYER WILL BE RESPONSIBLE TO PAY FOR ANY PRICE INCREASE, INCLUDING FOR PROJECT PRICES, DUE TO THE IMPOSITION OF A TARIFF, OR INCREASE IN CUSTOM DUTIES, OR ANY TRADE REGULATION IMPOSED BY ANY GOVERNMENT ON ANY GOODS OR PRODUCTS SOLD HEREUNDER IF IMPOSED SUBSEQUENT TO ANY PRICE QUOTED AND PRIOR TO DELIVERY.**
3. **SHORTAGES:** All sales are F.O.B. Shipping Point. Any damage or shortage must be noted on the delivery bill of lading or our packing list and acknowledged by the delivering carrier’s agent. **All claims for damage or shortage must be made in writing within 7 (seven) days of receipt of material.**
4. **DELIVERY OF MATERIAL:** SIGMA will make use reasonable best efforts to deliver within the time requested in an order. Notwithstanding any such request, SIGMA Corp. shall have no liability for damages or loss of any kind, liquidated or unliquidated, direct or indirect, including damages for loss of use, and even if advised of their possibility, resulting from any delay in meeting shipping schedules or delivery dates.
5. **WARRANTY; LIMITATIONS:**
  - (a) SIGMA gives warranty for material furnished under its trade names “SIGMA” against any defects in material or workmanship subject to normal use, for a period of one year after date of shipment. For any breach of the foregoing warranty where SIGMA Corp. has received written notice of the warranty claim from Buyer within such 1-year period, as Buyer’s sole and exclusive remedy, SIGMA will replace the defective product at the delivery point or, at its option, repay price paid for the product plus any transportation charges paid by Buyer in addition to such price. **EXCEPT FOR THE EXPRESS LIMITED WARRANTY IN THIS SECTION 5(a), THE GOODS SOLD AND ALL MATERIALS FURNISHED, UNDER THIS AGREEMENT ARE PURCHASED BY THE BUYER “AS IS” AND SIGMA CORP. DOES NOT PROVIDE ANY WARRANTY FOR SUCH GOODS OR MATERIALS, INCLUDING BUT NOT LIMITED TO THE IMPLIED WARRANTIES THAT THE GOODS OR MATERIALS ARE OF MERCHANTABLE QUALITY OR THAT THE GOODS OR MATERIALS CAN BE USED FOR ANY PARTICULAR PURPOSE.**
  - (b) **IN NO EVENT SHALL SIGMA CORP. BE LIABLE FOR ANY INCIDENTAL, CONSEQUENTIAL, INDIRECT, STATUTORY, SPECIAL, EXEMPLARY OR PUNITIVE DAMAGES, LOST PROFITS, LOSS OF USE, LOSS OF TIME, SHUTDOWN OR SLOWDOWN COSTS, INCONVENIENCE, LOSS BUSINESS OPPORTUNITIES, DAMAGE TO GOODWILL OR REPUTATION, OR ANY INDIRECT ECONOMIC LOSS, REGARDLESS OF WHETHER SUCH LIABILITY IS BASED ON BREACH OF CONTRACT, TORT, STRICT LIABILITY OR OTHERWISE, AND EVEN IF ADVISED OF THE POSSIBILITY OF SUCH DAMAGES OR SUCH DAMAGES COULD HAVE BEEN REASONABLY FORESEEN. THE LIABILITY OF SIGMA CORP.’S, AND BUYER’S SOLE AND EXCLUSIVE REMEDY FOR DAMAGES FOR ANY CLAIM OF ANY KIND WHATSOEVER UNDER THIS AGREEMENT, REGARDLESS OF LEGAL THEORY, SHALL NOT BE GREATER THAN THE ACTUAL PURCHASE PRICE OF THOSE GOODS WITH RESPECT TO WHICH SUCH CLAIM IS MADE.**



# SIGMA™

## TERMS, CONDITIONS AND GUIDELINES OF SALES

### 6. LAWS; FREIGHT AND TAX AMOUNTS:

(a) Buyer acknowledges and understands that the goods and materials furnished by SIGMA Corp. may be subject to restrictions upon export from the United States and upon resale after export, which shall be the sole and exclusive responsibility of Buyer. Buyer agrees it shall comply fully with all relevant laws rules and regulations, including import and/or export control laws, of the United States.

(b) All sales, use, excise, state, local or similar taxes are the responsibility of the Buyer. In the event SIGMA must pay or collect such taxes, the Buyer agrees to reimburse SIGMA promptly.

7. TERMS: All invoices are payable in net 30 days, unless other terms are explicitly mentioned in the invoices. A service charge may be added to all past due accounts. Buyer shall have no right of set-off or withholding, and no deduction of any amounts due from Buyer to SIGMA Corp. shall be made without SIGMA Corp.'s prior, express written consent.

8. Buyer may not return or cancel any part or all of the order without prior written return authorization from SIGMA Corp. There will be a minimum restocking charge of 35% for goods accepted for return.

9. Buyer will furnish and pay for necessary labor to unload and store material.

10. Buyer will use SIGMA Corp.'s item numbering system in all orders or inquiries to facilitate faster and easier processing.

11. To the extent possible, Buyer will place orders in SIGMA Corp.'s standard crate quantities, to facilitate quicker processing of your orders.

12. FREIGHT MINIMUM: The minimum order for freight allowed is 5,000 lbs. of fittings and restraints. *(Manhole covers, valve boxes, "E Products" and pipe accessories are not covered by these minimum freight allowed terms.)*

13. No action shall be brought for any claim relating to or arising out of these terms or any order more than 1 year after the accrual of such cause of action, except for money due for unpaid invoices or on an open account.

14. No terms or conditions, other than those stated above, and no agreement or understanding, oral or written, in any way purporting to modify these terms or conditions, whether contained in Buyer's purchase orders or shipping release forms, or elsewhere, shall be binding on SIGMA unless hereafter made in writing and signed by SIGMA'S authorized representative. Any additional or different terms or conditions in any order or other instrument or submission from the Buyer shall be deemed objected to by SIGMA Corp. without the need of any further or additional notice of objection, and such additional or different term shall be of no effect or in any way binding upon SIGMA Corp., unless express accepted in writing by SIGMA Corp.

# Packaged Accessories

Ductile Iron Class 350 as per ANSI/AWWA C153/A21.53

Quality – Service – Commitment – Delivered.

## MJ Gland Packs DI C153 Compact

Size	Item No.	Wt.	Price
2	DGP2	6	\$38.00
3	DGP3	7	\$38.00
4	DGP4	8	\$50.00
6	DGP6	12	\$68.00
8	DGP8	15	\$77.00
10	DGP10	20	\$110.00
12	DGP12	25	\$115.00
14	DGP14	37	\$176.00
16	DGP16	43	\$187.00
18	DGP18	47	\$242.00
20	DGP20	61	\$336.00
24	DGP24	72	\$467.00
30	DGP30	117	\$834.00
36	DGP36	157	\$1,218.00
42	DGP42	255	\$2,091.00
48	DGP48	355	\$2,661.00

Includes: Gland, MJ Gasket, and Standard Tee Bolts & Nuts

## MJ Gaskets w/Standard T-Bolts & 2 Anti-Rotation T-Bolts

Size	Item No.	Wt.	Price
6	MAP6	16	\$47.00

## MJ Gland Packs DI C110 Full Body

Size	Item No.	Wt.	Price
6	XGP6	14	\$98.00
8	XGP8	17	\$127.00
10	XGP10	27	\$158.00
12	XGP12	30	\$195.00

## Heavy Duty Retainer Gland Packs

Size	Item No.	Wt.	Price
4	RGP4	10	\$118.00
6	RGP6	15	\$188.00
8	RGP8	19	\$193.00
10	RGP10	25	\$407.00
12	RGP12	32	\$416.00

## Transition Gland Packs DI C153 Compact

Size (in.)	Item No.	Wt. (lb.)	Price
3	DXP3	7	\$40.00
4	DXP4	8	\$54.00
6	DXP6	12	\$71.00
8	DXP8	15	\$81.00
10	DXP10	20	\$113.00
12	DXP12	25	\$117.00
14	DXP14	37	\$204.00
16	DXP16	43	\$212.00

Includes Gland, MJ Transition Gasket and Std. T-Head Bolts

## MJ Valve Packs DI C153 Compact

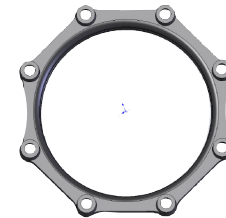
Size	Item No.	Wt.	Price
3	DAP3	9	\$56.00
4	DAP4	10	\$56.00
6	DAP6	15	\$77.00
8	DAP8	19	\$84.00
10	DAP10	25	\$110.00
12	DAP12	32	\$124.00

## MJ Gland Pack w/Core Blue Bolts DI C153 Compact

Size	Item No.	Wt.	Price
4	DGB4	8	\$84.00
6	DGB6	12	\$111.00
8	DGB8	15	\$117.00
10	DGB10	20	\$171.00
12	DGB12	25	\$179.00
14	DGB14	37	\$293.00
16	DGB16	43	\$315.00

## MJ Rubber Gaskets w/ Cor-Blue Bolt Packs

Size (in.)	Item No.	Wt. (lb.)	Price
3	MGB3	3	CALL
4	MGB4	4	CALL
6	MGB6	6	CALL
8	MGB8	7	CALL
10	MGB10	8	CALL
12	MGB12	9	CALL
16	MGB16	14	CALL
18	MGB18	15	CALL



## MJ Transition Gaskets with Bolt Packs

(Less Gland)

Size (in.)	Item No.	Wt. (lb.)	Price
2	TGP2	1	\$33.00
3	TGP3	3	\$33.00
3	TGP3-30	7	\$34.00
4	TGP4	4	\$40.00
6	TGP6	6	\$50.00
6	TGP6-40	5.5	\$60.00
6	TGP6-50	12	\$67.00
8	TGP8	7	\$59.00
8	TGP8-45	15	\$76.00
10	TGP10	8	\$76.00
10	TGP10-45	20	\$93.00
12	TGP12	9	\$80.00
12	TGP12-45	25	\$101.00
14	TGP14	14	\$132.00
16	TGP16	15	\$164.00

## MJ Rubber Gaskets w/T-Bolt Packs (Less Gland)

Size (in.)	Item No.	Wt. (lb.)	T-Bolt Type (Standard/Long)	Bolt Size	Price
2	MGP2	1.6	Standard		\$26.00
3	MGP3	3	Standard	5/8" x 3"	\$33.00
4	MGP4	4	Standard	3/4" x 3-1/2"	\$38.00
4	MGP4-40	4	Long	3/4" x 4"	\$42.00
6	MGP6	6	Standard	3/4" x 3-1/2"	\$46.00
6	MGP6-40	7	Long	3/4" x 4"	\$50.00
8	MGP8	7	Standard	3/4" x 4"	\$50.00
6	MGP8-45	8	Long	3/4" x 4"	\$55.00
10	MGP10	8	Standard	3/4" x 4"	\$66.00
10	MGP10-45	9	Long	3/4" x 4-1/2"	\$72.00
12	MGP12	9	Standard	3/4" x 4"	\$68.00
12	MGP12-45	10	Long	3/4" x 4-1/2"	\$80.00
14	MGP14	14	Standard	3/4" x 4"	\$99.00
14	MGP14-45	14	Long	3/4" x 4-1/2"	\$110.00
16	MGP16	15	Standard	3/4" x 4-1/2"	\$110.00
16	MGP16-50	15	Long	3/4" x 5"	\$119.00
18	MGP18	16	Standard	3/4" x 4-1/2"	\$115.00
18	MGP18-50	14	Long	3/4" x 5"	\$133.00
20	MGP20	20	Standard	3/4" x 4-1/2"	\$128.00
20	MGP20-50	16	Long	3/4" x 5"	\$158.00
24	MGP24	21	Standard	3/4" x 5"	\$154.00
30	MGP30	38	Standard	1" x 6"	\$301.00
36	MGP36	46	Standard	1" x 6"	\$349.00

# Accessory Products

## Loose Accessories

### MJ Glands

#### DI C110 Full Body

Size	Item No.	Wt.	Price
3	XG3	5	\$23.00
4	XG4	6	\$36.00
6	XG6	11	\$58.00
8	XG8	18	\$83.00
10	XG10	20	\$99.00
12	XG12	30	\$133.00
14	XG14	35	\$175.00
16	XG16	45	\$272.00
18	XG18	55	\$393.00
20	XG20	70	\$530.00
24	XG24	90	\$636.00
30	XG30	180	\$1,228.00
36	XG36	248	\$1,688.00
42	XG42	300	\$2,244.00
48	XG48	375	\$2,751.00



### Heavy Duty Retainer Glands

Size	Item No.	Wt.	Price
3	RMG3	4	\$42.00
4	RMG4	5	\$46.00
6	RMG6	9	\$77.00
8	RMG8	13	\$91.00
10	RMG10	16	\$155.00
12	RMG12	20	\$220.00

RGP (Retainer Gland Pack)

Available in packs:

Packs include RMG, T-Bolts and MG)

Material: DI 65-45-12

Material of Set Screws:  
Low alloy carbon steel

### MJ Glands - DI Compact

Size	Item No.	Wt.	Price
2	DG2	2	\$13.00
3	DG3	4	\$14.00
4	DG4	5	\$23.00
6	DG6	6	\$26.00
8	DG8	7	\$32.00
10	DG10	10	\$51.00
12	DG12	15	\$54.00
14	DG14	23	\$86.00
16	DG16	28	\$86.00
18	DG18	30	\$141.00
20	DG20	43	\$201.00
24	DG24	50	\$297.00
30	DG30	85	\$434.00
36	DG36	115	\$741.00
42	DG42	180	\$1,159.00
48	DG48	275	\$1,608.00

### MJ Rubber Gaskets

Size	Item No.	Wt.	Price
2	MG2	1	\$12.00
3	MG3	1	\$13.00
4	MG4	1	\$13.00
6	MG6	1	\$13.00
8	MG8	1	\$14.00
10	MG10	1	\$17.00
12	MG12	1	\$21.00
14	MG14	1	\$36.00
16	MG16	1	\$36.00
18	MG18	2	\$42.00
20	MG20	2	\$46.00
24	MG24	2	\$55.00
30	MG30	4	\$130.00
36	MG36	4	\$146.00
42	MG42	5	\$309.00
48	MG48	6	\$329.00

### SIGMA SEAL MJ Gasket

Size (in.)	Item No.	Wt. (lb.)	Price
4	MGS4	1	\$16.00
6	MGS6	1	\$17.00
8	MGS8	1	\$28.00
10	MGS10	1	\$30.00
12	MGS12	1	\$43.00
14	MGS14	1	\$59.00
16	MGS16	1	\$62.00
18	MGS18	2	\$64.00
20	MGS20	2	\$75.00
24	MGS24	2	\$86.00
30	MGS30	4	\$293.00
36	MGS36	4	\$359.00
42	MGS42	5	\$607.00
48	MGS48	6	\$681.00

### MJ Transition Rubber Gaskets

Item No.	Wt.	Price
TG2	1	\$8.00
TG3	1	\$13.00
TG4	1	\$14.00
TG6	1	\$16.00
TG8	1	\$21.00
TG10	1	\$25.00
TG12	1	\$29.00
TG14	1	\$143.00
TG16	1	\$190.00

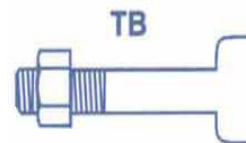


TG14-TG16 are not standard and AWWA  
TG14-TG16 are not pressure rated

### Tee Bolts w/Fluorocarbon

#### Blue Coated w/Nuts

Size	Item No.	Wt.	Price
5/8 x 3	TTB30	1	\$11.00
3/4 x 3 1/2	TTB35	1	\$12.00
3/4 x 4	TTB40	1	\$13.00
3/4 x 4 1/2	TTB45	1	\$14.00
3/4 x 5	TTB50	1	\$15.00
1x6	TTB60	2	\$31.00



### Tyton Gasket

Size	Item No.	Wt.	Price
4	PG4	1	\$12.00
6	PG6	1	\$13.00
8	PG8	1	\$16.00
10	PG10	1	\$23.00
12	PG12	1	\$25.00
14	PG14	2	\$52.00
16	PG16	2	\$52.00
18	PG18	2	\$74.00
20	PG20	3	\$77.00
24	PG24	3	\$77.00

### T-Head Bolts w/Nuts

Size (in.)	Item No.	Wt. (lb.)	Price
5/8 x 2 1/2	TB25	1	\$6.00
5/8 x 3	TB30	1	\$6.00
3/4 x 3 1/2	TB35	1	\$6.00
3/4 x 4	TB40	1	\$6.00
3/4 x 4 1/2	TB45	1	\$7.00
3/4 x 5	TB50	1	\$7.00
1 x 6	TB60	2	\$16.00
1 1/4 x 6	TB61	3	\$38.00
3/4 x 6	TB63	1	\$14.00
1 1/4 x 6 1/2	TB65	4	\$23.00
3/4 x 7	TB70	2	\$14.00
3/4 x 9	TB90	2	\$19.00

### Anti-Rotation T-Bolts

Size (in.)	Item No.	Wt. (lb.)	Price
5/8 x 3	ATB30	1	\$14.00
3/4 x 3 1/2	ATB35	1	\$10.00
3/4 x 4	ATB40	1	\$10.00
3/4 x 4 1/2	ATB45	1	\$11.00
3/4 x 5	ATB50	1	\$16.00

## Flange Accessories

### Flange Packs - 1/8" Red Rubber Gasket / Standard Bolts & Nuts

Size	Item No.	Wt.	Price
2	FGP08-02	1.5	CALL
3	FGP08-03	2	CALL
4	FGP08-04	3	CALL
6	FGP08-06	5	CALL
8	FGP08-08	6	CALL
10	FGP08-10	12	CALL
12	FGP08-12	13	CALL
14	FGP08-14	19	CALL
16	FGP08-16	25	CALL
18	FGP08-18	35	CALL
20	FGP08-20	45	CALL
24	FGP08-24	63	CALL
30	FGP08-30	95	CALL
36	FGP08-36	170	CALL
42	FGP08-42	215	CALL
48	FGP08-48	390	CALL