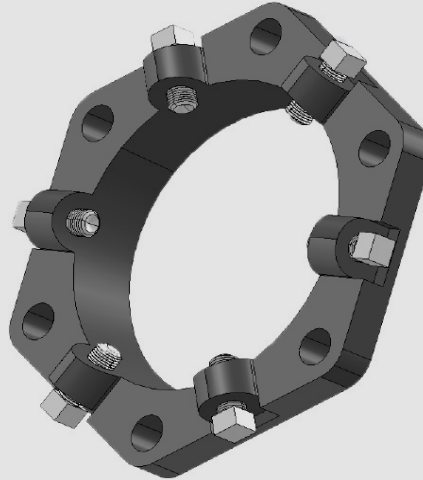
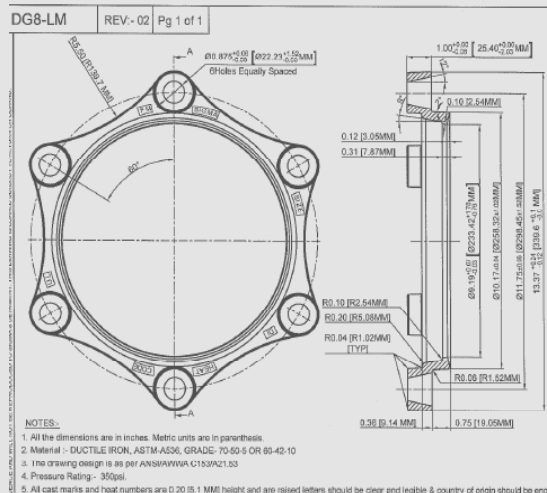


PL2021-3 Accessory Products Price List (Effective 6.1.21)



- **Prepackaged Mechanical Joint Accessories**
- **Mechanical Joint Glands**
- **Ductile Iron Set Screw Retainer Glands**
- **Mechanical Joint T-Bolts And Nuts**
- **Mechanical Joint And Transition Gaskets**
- **SIGMASEAL™ Improved MJ Gasket**

Accessory Products

Packaged Accessories

Ductile Iron Class 350 as per ANSI/AWWA C153/A21.53

MJ Gland Packs DI C153 Compact

Size	Item No.	Wt.	Price
2	DGP2	6	\$35.00
3	DGP3	7	\$35.00
4	DGP4	8	\$45.00
6	DGP6	12	\$62.00
8	DGP8	15	\$68.00
10	DGP10	20	\$98.00
12	DGP12	25	\$101.00
14	DGP14	37	\$154.00
16	DGP16	43	\$165.00
18	DGP18	47	\$213.00
20	DGP20	61	\$294.00
24	DGP24	72	\$410.00
30	DGP30	117	\$732.00
36	DGP36	157	\$1,068.00
42	DGP42	255	\$1,833.00
48	DGP48	355	\$2,335.00

Includes: Gland, MJ Gasket, and Standard Tee Bolts & Nuts

MJ Gland Packs DI C110 Full Body

Size	Item No.	Wt.	Price
3	XGP3	7	\$40.00
4	XGP4	10	\$56.00
6	XGP6	14	\$87.00
8	XGP8	17	\$112.00
10	XGP10	27	\$139.00
12	XGP12	30	\$171.00
14	XGP14	39	\$227.00
16	XGP16	57	\$323.00
18	XGP18	63	\$436.00
20	XGP20	84	\$568.00
24	XGP24	97	\$688.00
30	XGP30	186	\$1,419.00
36	XGP36	269	\$1,891.00
42	XGP42	352	\$2,757.00
48	XGP48	415	\$3,302.00

Transition Gland Packs DI C153 Compact

Size (in.)	Item No.	Wt. (lb.)	Price
2	DXP2	3	\$42.00
3	DXP3	7	\$36.00
4	DXP4	8	\$47.00
6	DXP6	12	\$63.00
8	DXP8	15	\$72.00
10	DXP10	20	\$100.00
12	DXP12	25	\$103.00
14	DXP14	37	\$179.00
16	DXP16	43	\$187.00

Includes Gland, MJ Transition Gasket and Std. T-Head Bolts

C110 MJ Gland Packs Blue Bolt

Size	Item No.	Wt.	Price
4	XGB4	10	\$76.00
6	XGB6	15	\$117.00
8	XGB8	21	\$143.00
10	XGB10	26	\$179.00
12	XGB12	32	\$213.00
14	XGB14	39	\$291.00
16	XGB16	57	\$398.00

MJ Gland Pack w/Core Blue Bolts DI C153 Compact

Size	Item No.	Wt.	Price
4	DGB4	8	\$74.00
6	DGB6	12	\$99.00
8	DGB8	15	\$103.00
10	DGB10	20	\$151.00
12	DGB12	25	\$159.00
14	DGB14	37	\$258.00
16	DGB16	43	\$276.00

MJ Rubber Gaskets w/Cor-Blue Bolt Packs

Size (in.)	Item No.	Wt. (lb.)	Price
3	MGB3	3	\$50.00
4	MGB4	4	\$52.00
6	MGB6	6	\$72.00
8	MGB8	7	\$72.00
10	MGB10	8	\$95.00
12	MGB12	9	\$101.00
16	MGB16	14	\$179.00
18	MGB18	15	\$202.00

Heavy Duty Retainer Gland Packs

Size	Item No.	Wt.	Price
4	RGP4	10	\$104.00
6	RGP6	15	\$167.00
8	RGP8	19	\$169.00
10	RGP10	25	\$357.00
12	RGP12	32	\$367.00

MJ Valve Packs DI C153 Compact

Size	Item No.	Wt.	Price
3	DAP3	9	\$50.00
4	DAP4	10	\$50.00
6	DAP6	15	\$68.00
8	DAP8	19	\$74.00
10	DAP10	25	\$98.00
12	DAP12	32	\$109.00

MJ Transition Gaskets with Bolt Packs (Less Gland)

Size (in.)	Item No.	Wt. (lb.)	Price
2	TGP2	1	\$31.00
3	TGP3	3	\$31.00
3	TGP3-30	7	\$32.00
4	TGP4	4	\$36.00
6	TGP6	6	\$45.00
6	TGP6-40	5.5	\$52.00
6	TGP6-50	12	\$61.00
8	TGP8	7	\$51.00
8	TGP8-45	15	\$66.00
10	TGP10	8	\$66.00
10	TGP10-45	20	\$83.00
12	TGP12	9	\$71.00
12	TGP12-45	25	\$89.00
14	TGP14	14	\$116.00
16	TGP16	15	\$146.00

MJ DI Gasket Pack/EDPM Gasket w/SS304 Bolts & Nuts

Size	Item No.	Wt. (lb.)	Price
3	MGPE4S	3	\$99.57
4	MGPE6S	5	\$138.07
6	MGPE8S	6	\$165.79
8	MGPE10S	8	\$214.68
12	MGPE12S	8	\$222.32
16	MGPE16S	12	\$271.18
18	MGPE18S	30	\$339.29
20	MGPE20S	15	\$410.71

MJ Rubber Gaskets w/T-Bolt Packs (Less Gland)

Size (in.)	Item No.	Wt. (lb.)	T-Bolt Type (Standard/Long)	Bolt Size	Price
2	MGP2	1.6	Standard		\$23.00
3	MGP3	3	Standard	5/8" x 3"	\$31.00
4	MGP4	4	Standard	3/4" x 3-1/2"	\$35.00
4	MGP4-40	4	Long	3/4" x 4"	\$37.00
6	MGP6	6	Standard	3/4" x 3-1/2"	\$40.00
6	MGP6-40	7	Long	3/4" x 4"	\$45.00
8	MGP8	7	Standard	3/4" x 4"	\$45.00
6	MGP8-45	8	Long	3/4" x 4"	\$48.00
10	MGP10	8	Standard	3/4" x 4"	\$60.00
10	MGP10-45	9	Long	3/4" x 4-1/2"	\$64.00
12	MGP12	9	Standard	3/4" x 4"	\$62.00
12	MGP12-45	10	Long	3/4" x 4-1/2"	\$71.00
14	MGP14	14	Standard	3/4" x 4"	\$88.00
14	MGP14-45	14	Long	3/4" x 4-1/2"	\$98.00
16	MGP16	15	Standard	3/4" x 4-1/2"	\$98.00
16	MGP16-50	15	Long	3/4" x 5"	\$108.00
18	MGP18	16	Standard	3/4" x 4-1/2"	\$101.00
18	MGP18-50	14	Long	3/4" x 5"	\$117.00
20	MGP20	20	Standard	3/4" x 4-1/2"	\$114.00
20	MGP20-50	16	Long	3/4" x 5"	\$139.00
24	MGP24	21	Standard	3/4" x 5"	\$136.00
30	MGP30	38	Standard	1" x 6"	\$326.00
36	MGP36	46	Standard	1" x 6"	\$368.00

MJ Gaskets w/Standard T-Bolts & 2 Anti-Rotation T-Bolts

Size	Item No.	Wt.	Price
3	MAP3	3	\$32.00
4	MAP4	5	\$32.00
6	MAP6	6	\$42.00
8	MAP8	6	\$66.00
10	MAP10	6	\$66.00
12	MAP12	6.5	\$72.00

Loose Accessories

MJ Glands - DI Compact

Size	Item No.	Wt.	Price
2	DG2	1.30	\$12.00
3	DG3	2.08	\$13.00
4	DG4	3.33	\$21.00
6	DG6	4.93	\$24.00
8	DG8	5.85	\$31.00
10	DG10	7.84	\$47.00
12	DG12	9.85	\$48.00
14	DG14	14.70	\$77.00
16	DG16	18.19	\$77.00
18	DG18	29.81	\$126.00
20	DG20	33.95	\$179.00
24	DG24	40.00	\$266.00
30	DG30	83.77	\$387.00
36	DG36	114.00	\$663.00
42	DG42	165.00	\$1,039.00
48	DG48	192.00	\$1,440.00

MJ Glands

DI C110 Full Body

Size	Item No.	Wt.	Price
3	XG3	5.27	\$21.00
4	XG4	5.07	\$34.00
6	XG6	10.13	\$51.00
8	XG8	13.66	\$74.00
10	XG10	22.46	\$89.00
12	XG12	23.57	\$120.00
14	XG14	35	\$155.00
16	XG16	49	\$245.00
18	XG18	55	\$352.00
20	XG20	70	\$475.00
24	XG24	90	\$569.00
30	XG30	180	\$1,098.00
36	XG36	231	\$1,510.00
42	XG42	294	\$2,007.00
48	XG48	359	\$2,462.00

MJ Rubber Gaskets

Size	Item No.	Wt.	Price
2	MG2	1	\$10.00
3	MG3	1	\$12.00
4	MG4	1	\$12.00
6	MG6	1	\$12.00
8	MG8	1	\$13.00
10	MG10	1	\$18.00
12	MG12	1	\$20.00
14	MG14	1	\$34.00
16	MG16	1	\$34.00
18	MG18	2	\$37.00
20	MG20	2	\$40.00
24	MG24	2	\$50.00
30	MG30	4	\$117.00
36	MG36	4	\$133.00
42	MG42	5	\$277.00
48	MG48	6	\$294.00

SIGMA SEAL MJ Gasket

Size (in.)	Item No.	Wt. (lb.)	Price
4	MGS4	1	\$14.00
6	MGS6	1	\$18.00
8	MGS8	1	\$24.00
10	MGS10	1	\$26.00
12	MGS12	1	\$39.00
14	MGS14	1	\$52.00
16	MGS16	1	\$56.00
18	MGS18	2	\$60.00
20	MGS20	2	\$68.00
24	MGS24	2	\$77.00
30	MGS30	4	\$264.00
36	MGS36	4	\$320.00
42	MGS42	5	\$543.00
48	MGS48	6	\$611.00

MJ Transition Rubber Gaskets

Item No.	Wt.	Price
TG2	1	\$9.00
TG3	1	\$12.00
TG4	1	\$13.00
TG6	1	\$14.00
TG8	1	\$20.00
TG10	1	\$23.00
TG12	1	\$25.00
TG14	1	\$128.00
TG16	1	\$171.00

TG14-TG16 are not standard and AWWA
TG14-TG16 are not pressure rated

Tee Bolts w/Fluorocarbon Blue Coated w/Nuts

Size	Item No.	Wt.	Price
5/8 x 3	TTB30	1	\$8.45
3/4 x 3 1/2	TTB35	1	\$9.55
3/4 x 4	TTB40	1	\$10.45
3/4 x 4 1/2	TTB45	1	\$11.40
3/4 x 5	TTB50	1	\$12.30
1x6	TTB60	2	\$26.15

Tyton Gasket

Size	Item No.	Wt.	Price
4	PG4	1	\$10.00
6	PG6	1	\$12.00
8	PG8	1	\$14.00
10	PG10	1	\$21.00
12	PG12	1	\$23.00
14	PG14	2	\$47.00
16	PG16	2	\$47.00
18	PG18	2	\$66.00
20	PG20	3	\$71.00
24	PG24	3	\$71.00

T-Head Bolts w/Nuts

Size (in.)	Item No.	Wt. (lb.)	Price
5/8 x 2 1/2	TB25	1	\$3.80
5/8 x 3	TB30	1	\$3.80
3/4 x 3 1/2	TB35	1	\$4.30
3/4 x 4	TB40	1	\$4.30
3/4 x 4 1/2	TB45	1	\$4.80
3/4 x 5	TB50	1	\$5.25
1 x 6	TB60	2	\$12.90
1 1/4 x 6	TB61	3	\$33.50
3/4 x 6	TB63	1	\$11.40
1 1/4 x 6 1/2	TB65	4	\$19.70
3/4 x 7	TB70	2	\$11.40
3/4 x 9	TB90	2	\$15.05

Anti-Rotation T-Bolts

Size (in.)	Item No.	Wt. (lb.)	Price
5/8 x 3	ATB30	1	\$11.40
3/4 x 3 1/2	ATB35	1	\$7.15
3/4 x 4	ATB40	1	\$7.50
3/4 x 4 1/2	ATB45	1	\$8.45
3/4 x 5	ATB50	1	\$13.55

Accessory Products

Loose Accessories (continued)

MJ Rubber Gaskets-EPPM

Size	Item No.	Wt.	Price
3	MGE3	1	\$32.00
4	MGE4	1	\$36.00
6	MGE6	1	\$40.00
8	MGE8	1	\$51.00
10	MGE10	1	\$71.00
12	MGE12	1	\$85.00
14	MGE14	1	\$133.00
16	MGE16	1	\$138.00
18	MGE18	2	\$155.00
20	MGE20	2	\$160.00
24	MGE24	2	\$189.00
30	MGE30	4	\$404.00
36	MGE36	4	\$410.00
42	MGE42	5	\$651.00

MJ Rubber Gaskets-NITRILE

Size	Item No.	Wt.	Price
3	NTG3	1	\$35.00
4	NTG4	1	\$42.00
6	NTG6	1	\$47.00
8	NTG8	1	\$68.00
10	NTG10	1	\$89.00
12	NTG12	1	\$114.00
14	NTG14	1	\$143.00
16	NTG16	1	\$155.00
18	NTG18	2	\$173.00
20	NTG20	2	\$201.00
24	NTG24	2	\$238.00
30	NTG30	4	\$463.00
36	NTG36	4	\$473.00
42	NTG42	5	\$1,119.00
48	NTG48	6	\$1,507.00

MJ Rubber Gaskets-NEOPRENE

PLEASE CALL

MJ Rubber Gaskets-VITON

PLEASE CALL

MJ Rubber Gaskets-ARMOR TIP

PLEASE CALL

Tyton Gasket-NITRILE

Size	Item No.	Wt.	Price
4	PGN4	1	\$47.00
6	PGN6	1	\$50.00
8	PGN8	1	\$94.00
12	PGN12	1	\$117.00
14	PGN14	2	\$175.00
18	PGN18	2	\$277.00
20	PGN20	3	\$334.00
24	PGN24	3	\$356.00

MJ Transition Rubber Gaskets - EPDM

PLEASE CALL

MJ Transition Rubber Gaskets - NITRILE

PLEASE CALL

Flange Accessories

Flange Packs - 1/8" Red Rubber Gasket / Standard Bolts & Nuts

Size	Item No.	Wt.	Price
2	FGP08-02	1.5	CALL
3	FGP08-03	2	CALL
4	FGP08-04	3	CALL
6	FGP08-06	5	CALL
8	FGP08-08	6	CALL
10	FGP08-10	12	CALL
12	FGP08-12	13	CALL
14	FGP08-14	19	CALL
16	FGP08-16	25	CALL
18	FGP08-18	35	CALL
20	FGP08-20	45	CALL
24	FGP08-24	63	CALL
30	FGP08-30	95	CALL
36	FGP08-36	170	CALL
42	FGP08-42	215	CALL
48	FGP08-48	390	CALL

LOCATIONS

Northeast Region

Cream Ridge, New Jersey (HQ)

700 Goldman Drive
Cream Ridge, NJ 08514
Phone (800) 999-2550
crmcsr@sigmaco.com

REPCO

51 Rue Gingras
Warwick, QC J0A 1M0
Phone (888) 744-6262
jbourcher@repco.ca

Concord Supply

2353 Bowman Street
Innisfil, Ontario L9S 3V6
Phone (877) 436-3800
tanya@concordsupply.ca

Midwest Region

Sauk Village, Illinois

21699 Torrence Avenue
Sauk Village, IL 60411
Phone (888) 999-0420
chicrs@sigmaco.com

Denver, Colorado

22700 I-76 Frontage Rd
Brighton, CO 80603
Phone (888) 999-0420
dbrugger@sigmaco.com

Southeast Region

Alexander City, Alabama

1500 Highway 22 W
Alexander City, AL 35010
Phone (800) 824-4513
alxcsr@sigmaco.com

Southwest Region

Houston, Texas

5000 Askins Lane
Houston, TX 77093
Phone (800) 999-0109
htncsr@sigmaco.com

Western Region

Ontario, California

4652 E. Guasti Road
Ontario, CA 91761
Phone (800) 688-6230
ontcsr@sigmaco.com

Auburn, Washington (Branch)

902 W Main Street
Auburn, WA 98001
Phone (800) 688-6230
ontcsr@sigmaco.com

www.sigmaco.com

Terms and Conditions of Sales available at our website.

AWWA Ductile Iron Fittings



- 2-64" C153 Ductile Iron Mechanical Joint Fittings
- 2-48" C110 Ductile Iron Mechanical Joint Fittings
- 2-64" C110 Ductile Iron Flanged Fittings
- 3-24" C153 Ductile Iron Push-On Fittings
- 4-24" C110 Ductile Iron Push-On Fittings
- 3-36" Ductile Iron Mechanical Joint Connector
- C116 Fusion Bonded Epoxy Lining Available
- PROTECTO 401® Ceramic Epoxy Lining Available

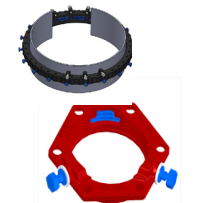
Visit our website for available special coatings. <https://www.sigmaco.com/project/fittings-coatings-linings/>

Mechanical Joint Accessories



- Prepackaged and Loose Mechanical Joint Accessories
- SIGMASEAL™ Improved Mechanical Joint Gasket
- Snap-On Multi-Purpose Gasket for Ductile Iron or PVC Pressure Pipes
- OMNI-SLEEVE™ Improved Wall Penetration Sleeve
- Specialty Bolts and Nuts for Mechanical Joint Assemblies

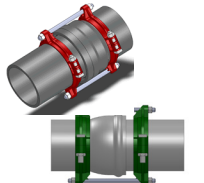
ONE-LOK™ Wedge Action Restraints



- 3-48" ONE-LOK D-SLDE Domestic Wedge Restraint for Ductile Iron Pipe
- 3-64" ONE-LOK SLDE Wedge Restraint for Ductile Iron Pipe (Import)
- 4-48" ONE-LOK T-SLDE Tandem Wedge Restraint for High Pressure Ductile Iron Pipe
- 3-36" ONE-LOK D-SLCE Domestic Wedge Restraint for PVC Pipe
- 3-12" ONE-LOK SLC Wedge Restraint for PVC Pipe (Import)
- 3-60" ONE-LOK SLCE Wedge Restraint for PVC Pipe (Import)
- 3-42" ONE-LOK SLDEH Wedge Harness Restraint for Ductile Iron Pipe
- 4-12" /16" /20" ONE-LOK SLDM Wedge Restraint for Oversized Cast Iron Pipe
- 4-48" ONE-LOK SSLD Split Wedge Restraint for Installed Ductile Iron Pipe & Fitting
- 4-36" ONE-LOK SSLDH Split Wedge Harness Restraint for Installed Ductile Iron Pipe
- 4-12" ONE-LOK SLCEH Wedge Harness Restraint for AWWA C900 PVC Pipe

Visit our website for available special coatings. <https://www.sigmaco.com/download/corsafe-alternative-coating-for-enhanced-exterior-corrosion-protection-on-wedge-and-serration-type-restrainers/>

PV-LOK™ Serration Lock Restraints



- 4-48" PV-LOK PWM Serrated Restraint for Ductile Iron Fitting & AWWA C900/905 PVC Pipe
- 4-48" PV-LOK PWP Serrated Bell Joint Restraint for AWWA C900/905 PVC Pipe
- 4-12" PV-LOK D-PWP Domestic Serrated Bell Joint Restraint for AWWA C900 PVC Pipe
- 4-12" PV-LOK PVPF Restraint for AWWA C900/905 PVC Pipe & PVC Fitting
- 4-12" PV-LOK PWH Serrated Harness Restraint for AWWA C900 PVC Pipe
- 2-12" PV-LOK PVM Serrated Restraint for Ductile Iron & IPS OD PVC pipe
- 2-12" PV-LOK PVP Serrated Bell Joint Restraint for IPS OD PVC Pipe
- 2-8" PV-LOK PVPF Serrated Restraint for IPS OD PVC Pipe & PVC Fitting
- 4-12" PV-LOK PWP Serrated Bell Joint Restraint for Ductile Iron Pipe

Visit our website for available special coatings. <https://www.sigmaco.com/download/corsafe-alternative-coating-for-enhanced-exterior-corrosion-protection-on-wedge-and-serration-type-restrainers/>

HDPE (Raven) Products



- Rotational Molded Meter Boxes & Pits
- Optional White Interior Available
- Light & Medium Duty Load Capacities
- Extensive Nationwide Inventory
- Rotational Molded Oil-Water Separators
- OEM Service Available

Municipal Construction Castings



- Manhole Rings and Covers
- Curb and Meter Boxes
- Frames and Grates
- Storm Inlets
- Valve Boxes, Risers, and Extensions

Products for the Ductile Iron Fabricator



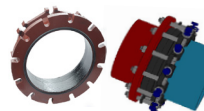
- 3-64" High Hub Threaded Flanges
- 3-48" Tapped High Hub Threaded Flanges
- 3-36" Extra Heavy 250lb Drilled Threaded Flanges
- 3-48" Threaded MJ Bell Adapters
- 3-48" MJ x PE Bell adapter
- 3-48" Anchor Flanges
- 3-16" Filler Flanges

Extended Range Products



- Flange-Pak™ Prepackaged Flange Accessory Sets
- Polyethylene Encasement for Ductile Iron Pipe
- Copper Tubing Products
- Tracer Wire & Detectable/Non-Detectable Marking Tape
- Pipe Joint Lubricant & Hydraulic Cement
- Socket Clamps and Tie Rod Accessories
- Boxlok Valve Box Alignment Device
- Cast Iron Companion Flanges

Flange Adapters



- 3-36" SIGMAFLANGE Flange Adapter Sleeve for PVC and Ductile Iron Pipe
- 2-48" ZIP FLANGE Set Screw Style Flange Adapter
- 3-36" SIGMAFLANGE Universal Joint for Flanged Fittings, Flanged Pipes & Valves