

SIGMAFLANGE™ Universal Joint for Flanged Fittings, Flanged Pipes & Valves

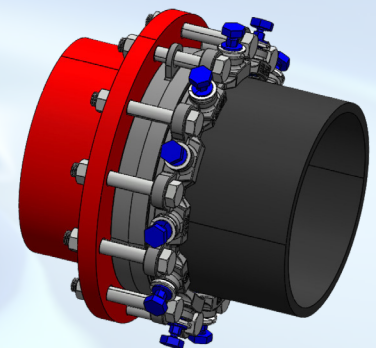
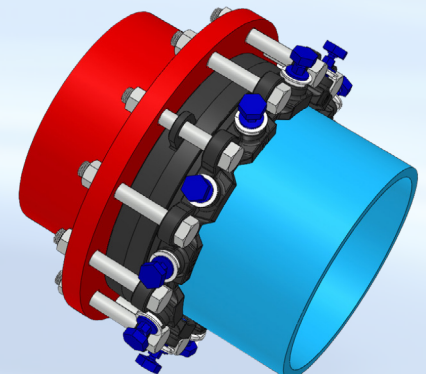
Project Name:	Contractor:	Date
Engineer:	Spec Section:	

Optional Specifications

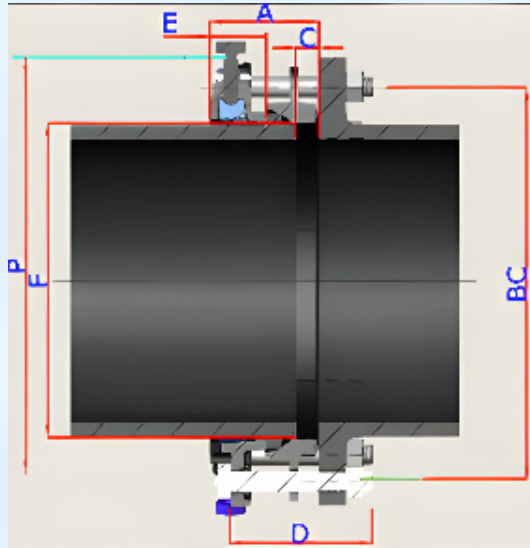
Hex Bolts & Nuts	Carbon Steel as per ASTM A307 and Zinc plated (In accordance with ANSI/AWWA C111/A21.11)	Gaskets	SBR <i>(In accordance with ANSI/AWWA C111/A21.11)</i>
	Stainless Steel ___Type 304 ___Type 316		EPDM
	Blue Fluoropolymer		Neoprene
	Other- Specify		Nitrile
Coating	NSF61 approved electro deposition base coat with black alkyd enamel top coat		Other- Specify

Product Specifications

Material:	SIGMAFLANGE™ Universal adapter ring and restraint gland are manufactured of high strength ductile iron in accordance with ASTM A536, Grade 65-45-12 Mechanical joint gasket and O-ring gasket are manufactured of styrene butadiene rubber (SBR) per ANSI/AWWA C111/A21.11. Hex bolts & nuts are manufactured of carbon steel as per ASTM A 307 and zinc-plated in conformance with ANSI/AWWA C111/A21.11
Pressure Rating:	Rated to a working pressure equal to the pressure rating of the pipe on which it is installed
Factor of Safety:	2:1
Size Range:	3"-36"
Approvals:	Underwriter Laboratories listed on sizes 3" - 12" for use on Ductile Iron & Steel pipe - 350psi. Factory Mutual approved on sizes 3" with IPS PVC Pipe and 4"-12" on C900 PVC pipe
Deflection:	5° on 3"-12" 3° on 14"-16" 2° on 18"-20" 1.5° on 24"-30" 1° on 36"
Dimension:	Conform to ANSI/AWWA C110/A21.10
Traceability:	Adapter Ring, Wedge Gland, Insert & Break off bolt are individually cast with exact heat code information.
Installations:	In accordance with manufacturer's recommendation and applicable AWWA standards.



SIGMAFLANGE™ Universal Joint for Flanged Fittings, Flanged Pipes & Valves



SIGMAFLANGE™ Model SFUP

Size	Part #	Weight (Lbs)	Dimension							Hardware - Hex Bolts	
			A	BC	C	D	E	F	P	Qty	Size
3	SFUP3	13	4.10	6.00	0.70	5.00	2.37	4.06	8.88	4	5/8 x 5 1/2
4	SFUP4	19	4.45	7.50	0.70	5.50	2.43	4.90	9.59	8	5/8 x 5 1/2
6	SFUP6	28	4.68	9.50	0.80	6.00	2.45	7.00	11.69	8	3/4 x 6
8	SFUP8	37	4.76	11.75	0.90	6.00	2.52	9.15	13.84	8	3/4 x 6
10	SFUP10	58	4.77	14.25	1.00	6.25	2.52	11.20	16.23	12	7/8 x 6 1/4
12	SFUP12	66	4.88	17.00	1.00	6.25	2.52	13.30	18.33	12	7/8 x 6 1/4
14	SFUP14	80	5.15	18.75	1.30	7.50	2.53	15.44	20.58	12	1 x 7 1/2
16	SFUP16	109	5.52	21.25	1.30	7.50	2.67	17.54	22.41	16	1 x 7 1/2
18	SFUP18	124	5.52	22.75	1.30	8.50	2.96	19.64	24.70	16	1 1/8 x 8 1/2
20	SFUP20	160	5.43	25.00	1.30	8.50	2.89	21.74	27.10	20	1 1/8 x 8 1/2
24	SFUP24	209	5.41	29.50	1.30	9.00	2.95	25.94	31.26	20	1 1/4 x 9
30	SFUP30	402	7.4	36.00	2.00	11.00	3.60	32.00	38.8	28	1 1/4 x 11
36	SFUP36	583	7.14	42.75	2.00	11.5	3.60	38.3	46.6	32	1 1/2 x 11 1/2

All dimensions are in inches

[View Catalog](#)