



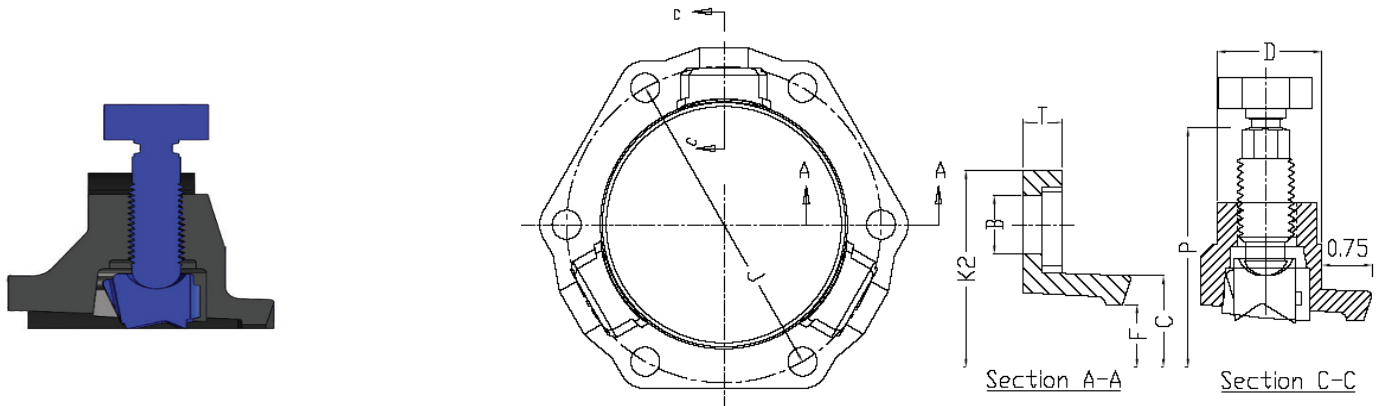
SUBMITTAL DETAILS		DATE:
PROJECT NAME:		
ENGINEER:		
CONTRACTOR:		
SPEC. SECTION:		

PRODUCT SPECIFICATIONS

MATERIAL:	Gland body, wedge inserts and break-off top actuating bolts are manufactured of high strength ductile iron in accordance with ASTM A536, Grade 65-45-12. Wedge inserts are heat-treated to a hardness of 370 BHN minimum.
SIZE RANGE:	3" through 64"
DIMENSION:	Conform to ANSI/AWWA C111/A21.11 & ANSI/AWWA C153/A21.53 standards
PRESSURE RATING:	Sizes 3"-16" carry a 350 psi WWP and sizes 18" - 64" carry a 250 psi WWP
FACTOR OF SAFETY:	2:1
COATING:	<input type="checkbox"/> Standard: Asphaltic Black Enamel <input type="checkbox"/> Special: Electro-deposition "CORRSAFE™" available For further information, please refer to our CORRSAFE Product Information sheet at https://www.sigmaco.com/download/corrsafe-alternative-coating-for-enhanced-exterior-corrosion-protection-on-wedge-and-serration-type-restrainers/
APPROVALS:	Underwriters Laboratories' listed in sizes 3"-36" and Factory Mutual approved in sizes 3"-12".
DEFLECTION:	5° on 3" through 12", 2° on 14" & 16", 1.5° on 18" through 30" and 1° on 36" through 64"
TRACEABILITY:	Gland body, wedge inserts and break-off top actuating bolts are individually cast with exact heat code information.
INSTALLATION:	In accordance with manufacturer's recommendation and applicable AWWA standards.
HARDWARE:	<input type="checkbox"/> Standard: T-bolts & nuts as per AWWA C111/A21.11, High Strength Low Alloy Steel Special: <input type="checkbox"/> Stainless Steel as per AISI 304 <input type="checkbox"/> Stainless Steel as per AISI 316 <input type="checkbox"/> Fluoropolymer blue coated as per ANSI/AWWA C111/A21.11



Technical Information



ONE-LOK™ Series SLDE for Ductile Iron Pipe Specifications

Please check sizes:

-
-
-
-
-
-
-
-
-
-
-
-
-
-
-
-
-
-
-
-

Nom Pipe Size	Wgt	DI Pipe OD	Steel Pipe OD	Dimensions								Bolts and Inserts			Pressure Rating	T-bolts			Gasket
				C	F	D	T	P*	B	J	K2	No	Size	Torque		No	Size	Torque	
3	5.50	3.96	---	4.84	4.16	1.58	0.55	9.40	0.750	6.19	7.69	2	7/8	75 - 90	350	4	5/8 x 3.0	45 - 60	1
4	6.50	4.80	4.50	5.92	5.00	1.58	0.55	10.24	0.875	7.50	9.12	2	7/8	75 - 90	350	4	3/4 x 3.5	75 - 90	1
6	10.00	6.90	6.625	8.02	7.10	1.58	0.60	12.34	0.875	9.50	11.12	3	7/8	75 - 90	350	6	3/4 x 3.5	75 - 90	1
8	14.50	9.05	8.625	10.17	9.25	1.63	0.75	14.32	0.875	11.75	13.37	4	7/8	75 - 90	350	6	3/4 x 4.0	75 - 90	1
10	23.00	11.10	10.75	12.22	11.30	1.58	0.85	16.54	0.875	14.00	15.62	6	7/8	75 - 90	350	8	3/4 x 4.0	75 - 90	1
12	29.00	13.20	12.75	14.32	13.40	1.58	0.85	18.80	0.875	16.25	17.88	8	7/8	75 - 90	350	8	3/4 x 4.0	75 - 90	1
14	39.60	15.30	---	16.40	15.55	1.58	1.125	21.20	0.875	18.75	20.25	10	7/8	75 - 90	350	10	3/4 x 4.5	75 - 90	1
16	49.67	17.40	---	18.50	17.54	1.77	1.21	23.74	0.875	21.00	22.50	12	7/8	75 - 90	350	12	3/4 x 4.5	75 - 90	1
18	60.33	19.50	---	20.60	19.64	1.77	1.25	25.84	0.875	23.25	24.75	12	7/8	75 - 90	250	12	3/4 x 4.5	75 - 90	1
20	69.00	21.60	---	22.70	21.74	1.87	1.25	27.94	0.875	25.50	27.00	14	7/8	75 - 90	250	14	3/4 x 5.0	75 - 90	1
24	103.67	25.80	---	26.88	25.95	1.92	1.47	32.14	0.875	30.00	31.50	16	7/8	75 - 90	250	16	3/4 x 5.0	75 - 90	1
30	158.67	32.00	---	33.29	32.17	2.13	1.65	39.30	1.125	36.88	39.12	20	1.00	115-125	250	20	1 x 6.5	100-120	1
36	234.50	38.30	---	39.59	38.47	3.15	1.75	46.07	1.125	43.75	46.00	24	1.00	115-125	250	24	1 x 6.5	100-120	1
42	344.00	44.50	---	45.79	44.67	3.56	2.25	53.25	1.38	50.62	53.38	28	1 1/4	115-125	250	28	1 1/4 x 8.0	120-150	1
48	456.00	50.80	---	52.09	50.97	3.81	2.25	59.55	1.38	57.5	60.26	32	1 1/4	115-125	250	32	1 1/4 x 8.0	120-150	1
54	1045.00	57.56	--	58.85	57.73	6.00	4.50	70.43	1.375	63.20	67.50	18	1 1/2	400 +/- 5	250	36	1 1/4 x 11.0	120-150	1
60	1136.00	61.61	--	62.90	61.78	6.00	4.50	74.52	1.375	67.72	72.00	18	1 1/2	400 +/- 5	250	36	1 1/4 x 11.0	120-150	1
64	1258.00	65.67	--	66.96	65.84	6.00	4.50	78.68	1.375	71.86	76.00	19	1 1/2	400 +/- 5	250	38	1 1/4 x 11.0	120-150	1

*All dimensions in inches except where indicated

Notes:

- ONE-LOK SLDE was previously referred to as model SLD.
- P* Dim shows OD after head is broken/removed.
- Sizes 3"-12" is approved for thinnest class of DI pipe.
- SLDE 4" - 12" can be used on Steel Pipe - Sch 40 & above with Transition Gasket.
- Product is provided with SIGMASEAL™ improved mechanical joint gasket, 30" - 64".

- Sizes 3" - 14" are UL listed for 350 psi on DI Pipe
- Sizes 16" are UL listed for 300 psi on DI Pipe
- Sizes 18" - 30" are UL listed for 250 psi on DI Pipe
- Sizes 36" are UL listed for 200 psi on DI Pipe
- Sizes 42" and 48" are pressure rated at 250 psi on DI Pipe
- Sizes 54", 60" and 64" are pressure rated at 250 psi on DI Pipe
- Sizes 4" - 12" are FM approved for 175 psi on DI pipe.