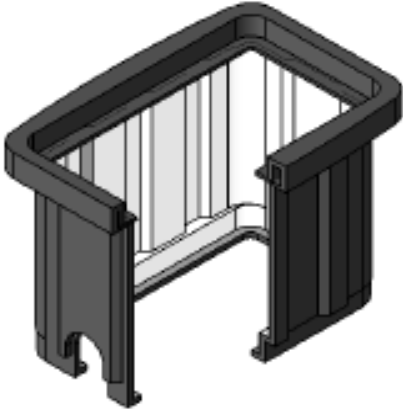


# RECTANGULAR METER BOX SPECIFICATIONS



Product	Style	Size	Depth
RMB1015-FL	Flared-Wall	10"x15"	12", 18", and 24"
RMB1015-SW	Straight-Wall	10"x15"	12"
RMB1118-SW	Straight-Wall	11"x18"	12" and 18"
RMB1324-SW	Straight-Wall	13"x24"	12" and 18"
RMB1527-SW	Straight-Wall	15"x27"	12" and 18"
RMB1730-SW	Straight-Wall	17"x30"	12" and 18"
RMB1730-FL	Flared-Wall	17"x30"	18"

**Manufacture Process:** Sigma-Raven rectangular meter boxes are produced using High Density Polyethylene regrind and virgin resins in a series of LAMINATED WALLS with an optional white interior coating. The outer wall is LAMINATED to the interior wall providing greater side load-bearing capacity. When the two walls are laminated together the Molecular Structure (fibers) from each wall are crossed, creating a dual layer of much greater strength and wall thickness. Wall thickness shall be such that when buried, it will support an incidental traffic load as explained with an appropriate traffic rated lid.

**Impact:** Impact tests shall be conducted at two different locations. These are (1) the top of pit at lid area and (2) at the center area. Failure of the test specimen shall be any crack, split or shatter of the wall section. Test using a 10-lb Tub B and flat plate Holder B. Test one pit per run if failure occurs test 3 more pits. If no failure occurs the run is approved.

**Interior:** Interior shall be Black or optional White.

**Settling:** Rectangular meter boxes shall have an anti-settling flange around the base.

**Lids:** Materials include HDPE and Ductile Iron.



**LIMITED-WARRANTY:** SIGMA-Raven warrants Poly boxes and lids to be free of manufacturing defects at ship point. Warranty is limited to replacement or unit price at discretion of Sigma-Raven. Sigma-Raven shall not be liable for any damages of any kind.