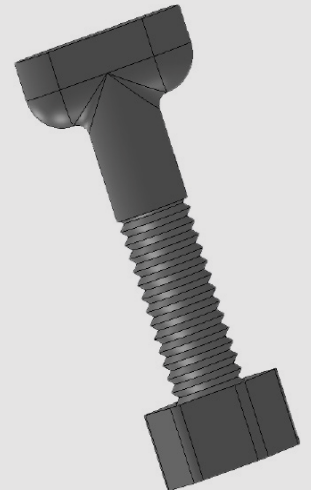
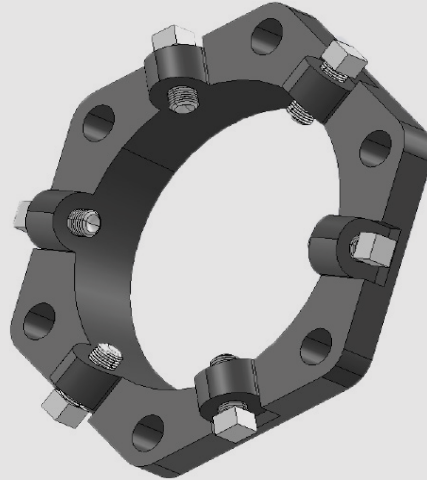
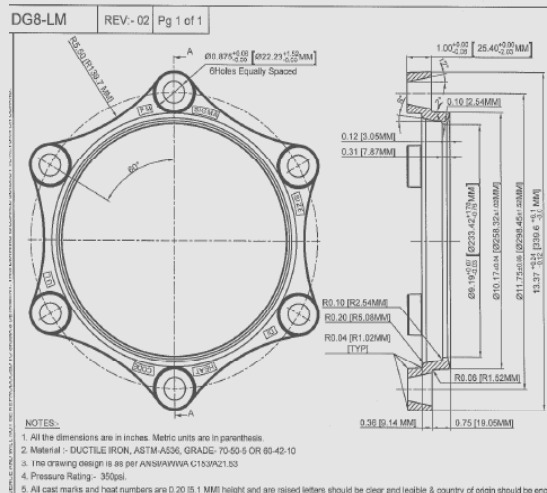


Accessory Products

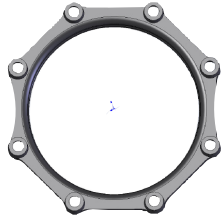


- Ductile Iron Set Screw Retainer Glands
- Mechanical Joint And Transition Gaskets
- Mechanical Joint Glands
- Mechanical Joint T-Bolts And Nuts
- Prepackaged Mechanical Joint Accessories
- SIGMASEAL™ Improved MJ Gasket

Accessory Products

Mechanical Joint Compact Fittings Accessories

Ductile Iron Class 350 as per ANSI/AWWA C153/A21.53



MJ Glands

Size	Item No.	Wt. (lb)
2	DG2	1.30
3	DG3	2.08
4	DG4	3.33
6	DG6	4.93
8	DG8	5.85
10	DG10	7.84
12	DG12	9.85
14	DG14	14.70
16	DG16	18.19
18	DG18	29.81
20	DG20	33.95
24	DG24	40.00
30	DG30	83.77
36	DG36	114.00
42	DG42	165.00
48	DG48	192.00
54	DG54	286.50
60	DG60	312.00
64	DG64	388.00

MJ Gland Packs

Size	Item No.	Wt. (lb)
2	DGP2	6.00
3	DGP3	7.00
4	DGP4	8.00
6	DGP6	12.00
8	DGP8	15.00
10	DGP10	20.00
12	DGP12	25.00
14	DGP14	37.00
16	DGP16	43.00
18	DGP18	47.00
20	DGP20	61.00
24	DGP24	72.00
30	DGP30	117.00
36	DGP36	157.00
42	DGP42	255.00
48	DGP48	361.00
54	DGP54	412.00
60	DGP60	446.00
64	DGP64	533.00

MJ Gaskets & MJ Transition Gasket

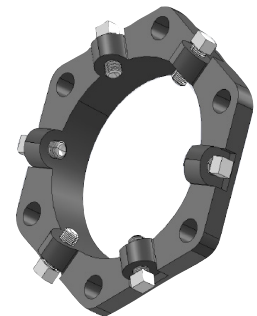
Size	Item No.	Wt. (lb)	Item No.	Wt. (lb)
2	MG2			
3	MG3	0.25	TG3	0.50
4	MG4	0.30	TG4	0.60
6	MG6	0.50	TG6	0.75
8	MG8	0.75	TG8	1.10
10	MG10	0.80	TG10	1.30
12	MG12	1.00	TG12	1.65
14	MG14	1.30	TG14	2.50
16	MG16	1.45	TG16	3.00
18	MG18	1.60		
20	MG20	1.90		
24	MG24	2.10		
30	MG30	2.30		
36	MG36	2.75		
42	MG42	3.20		
48	MG48	3.65		

TG14-TG16 are not standard and AWWA
TG14-TG16 are not pressure rated

Includes: Gland, MJ Gasket,
and Standard Tee Bolts & Nuts

MJ Retainer Glands

Pipe Size	Item No.	Wt. (lb)	IRON PIPE O.D	Rating (psi)	Qty	Size	Torque (ft-lbs)
3	RMG3	5.00	3.96	350	4	5/8 X 2	85
4	RMG4	7.00	4.80	350	4	5/8 X 2	85
6	RMG6	12.00	6.90	350	6	5/8 X 2	85
8	RMG8	16.00	9.05	250	9	5/8 X 2	85
10	RMG10	22.00	11.10	250	16	5/8 X 2	85
12	RMG12	28.00	13.20	250	16	5/8 X 2	85
14	RMG14	45.00	15.30	250	20	5/8 X 2	85
16	RMG16	52.00	17.40	250	24	5/8 X 2	85
18	RMG18	62.00	19.50	200	24	5/8 X 2	85
20	RMG20	75.00	21.60	200	28	3/4 X 2-1/2	110
24	RMG24	97.00	25.80	200	32	3/4 X 2-1/2	110
30	RMG30	196.00	32.00	100	40	3/4 X 2-1/2	110
36	RMG36	246.00	38.30	100	48	3/4 X 2-1/2	110
42	RMG42	302.00	44.50	100	56	3/4 X 2-1/2	110
48	RMG48	380.00	50.80	100	64	3/4 X 2-1/2	110



RGP (Retainer gland pack)

Available in packs: Packs include RMG, T-Bolts and MG

Material: DI 65-45-12

Material of Set Screws: Low alloy carbon steel

Packaged Accessories

Quality – Service – Commitment – Delivered.

Retainer Gland Pack - Includes Gland, MJ Gasket and Std. T-Head Bolts

Size	Item No.	Wt. (lb.)
3	RGP3	9.00
4	RGP4	10.00
6	RGP6	15.00
8	RGP8	19.00
10	RGP10	25.00
12	RGP12	32.00

MJ Bolt & Gasket (Less Gland)

Size (in.)	Item No.	Wt. (lb.)	Bolt Size
2	MGP2	1.60	
3	MGP3	2.83	5/8 x 3
4	MGP4	3.57	3/4 x 3-1/2
6	MGP6	5.29	3/4 x 3-1/2
8	MGP8	5.84	3/4 x 4
10	MGP10	7.70	3/4 x 4
12	MGP12	7.86	3/4 x 4
14	MGP14	14.00	3/4 x 4
16	MGP16	12.10	3/4 x 4-1/2
18	MGP18	12.32	3/4 x 4-1/2
20	MGP20	14.25	3/4 x 4-1/2
24	MGP24	17.30	3/4 x 5
30	MGP30	40.00	1 x 6
36	MGP36	28.00	1 x 6
42	MGP42	76.00	1-1/4 x 6-1/2
48	MGP48	90.00	1-1/4 x 6-1/2
54	MGP54	136.00	1-1/4 x 6-1/2
60	MGP60	137.50	1-1/4 x 6-1/2
64	MGP64	145.00	1-14/ x 6-1/2

MJ Transition Bolt & Gasket Pack (Less Gland)

Size (in.)	Item No.	Wt. (lb.)
2	TGP2	1.00
3	TGP3	3.00
4	TGP4	4.00
6	TGP6	6.00
8	TGP8	7.00
10	TGP10	8.00
12	TGP12	9.00

MJxSDR35 Transition Gasket

Size	Item No.	Wt. (lb.)
4	TSG04	0.66
6	TSG06	0.90
8	TSG08	1.22
10	TSG10	1.40
12	TSG12	1.80

Gland Pack - Includes Gland, MJ Transition Gasket and Std. T-Head Bolts

Size (in.)	Item No.	Wt. (lb.)
3	DXP3	7.00
4	DXP4	8.00
6	DXP6	12.00
8	DXP8	15.00
10	DXP10	20.00
12	DXP12	25.00

SIGMA SEAL MJ Gasket

Size (in.)	Item No.	Wt. (lb.)
3	MGS3	1.00
4	MGS4	0.42
6	MGS6	0.55
8	MGS8	0.76
10	MGS10	0.93
12	MGS12	1.02
14	MGS14	1.00
16	MGS16	1.00
18	MGS18	2.00
20	MGS20	2.00
24	MGS24	2.00
30	MGS30	4.20
36	MGS36	4.00
42	MGS42	5.00
48	MGS48	6.00
54	MGS54	6.50
60	MGS60	7.50
64	MGS64	8.00

High-Strength, Low Alloy Steel T-Head Bolts

Standard Bolts

Size (in.)	Item No.	Wt. (lb.)
5/8x3	TB30	0.50
3/4x3 1/2	TB35	0.75
3/4x4	TB40	0.85
3/4x4 1/2	TB45	1.00
3/4x5	TB50	1.25
1x5	TB60	1.25
1x6	TB61	2.25
1 1/4x6	TB65	2.50
1 1/4x6 1/2	TB65	4.00
3/4x7	TB70	0.63
1x8	TB80	3.00
3/4x9	TB90	0.72

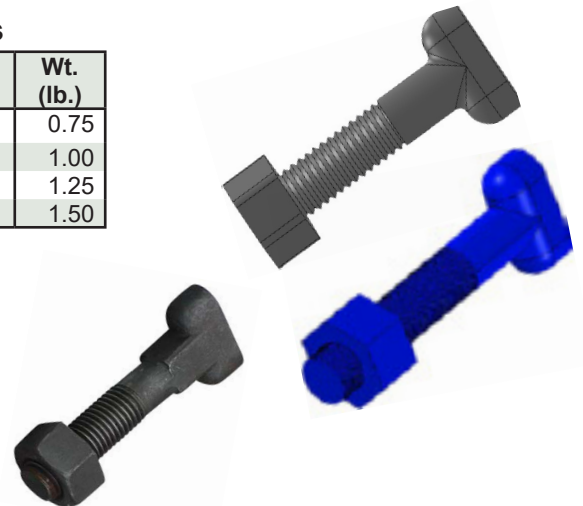
Anti-Rotation Bolts

Size (in.)	Item No.	Wt. (lb.)
3/4X3 1/2	ATB35	0.75
3/4X4	ATB40	1.00
3/4X4 1/2	ATB45	1.25
3/4X5	ATB50	1.50

Material: Corten ASTM A242 – Standard, Anti-Rotation T-Bolts
Finish: Bare plain finish with antirust corrosion preventative coating

Sigma also offer other materials, coatings & sizes
SS 304,316
Fluoropolymer, Galvanized, Plated

Please contact your territory representative for more information and submittals



LOCATIONS

Northeast Region

Cream Ridge, New Jersey (HQ)

700 Goldman Drive
Cream Ridge, NJ 08514
Phone (800) 999-2550
crmcsr@sigmaco.com

REPCO

51 Rue Gingras
Warwick, QC J0A 1M0
Phone (888) 744-6262
jbourcher@repco.ca

Concord Supply

2353 Bowman Street
Innisfil, Ontario L9S 3V6
Phone (877) 436-3800
tanya@concordsupply.ca

Midwest Region

Sauk Village, Illinois

21699 Torrence Avenue
Sauk Village, IL 60411
Phone (888) 999-0420
chicrs@sigmaco.com

Denver, Colorado

22700 I-76 Frontage Rd
Brighton, CO 80603
Phone (888) 999-0420
dbrugger@sigmaco.com

Southeast Region

Alexander City, Alabama

1500 Highway 22 W
Alexander City, AL 35010
Phone (800) 824-4513
alxcsr@sigmaco.com

Southwest Region

Houston, Texas

5000 Askins Lane
Houston, TX 77093
Phone (800) 999-0109
htncsr@sigmaco.com

Western Region

Ontario, California

4652 E. Guasti Road
Ontario, CA 91761
Phone (800) 688-6230
ontcsr@sigmaco.com

Auburn, Washington (Branch)

902 W Main Street
Auburn, WA 98001
Phone (800) 688-6230
ontcsr@sigmaco.com

www.sigmaco.com

Terms and Conditions of Sales available at our website.

AWWA Ductile Iron Fittings



- 2-64" C153 Ductile Iron Mechanical Joint Fittings
- 2-48" C110 Ductile Iron Mechanical Joint Fittings
- 2-64" C110 Ductile Iron Flanged Fittings
- 3-24" C153 Ductile Iron Push-On Fittings
- 4-24" C110 Ductile Iron Push-On Fittings
- 3-36" Ductile Iron Mechanical Joint Connector
- C116 Fusion Bonded Epoxy Lining Available
- PROTECTO 401® Ceramic Epoxy Lining Available

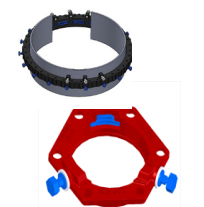
Visit our website for available special coatings. <https://www.sigmaco.com/project/fittings-coatings-linings/>

Mechanical Joint Accessories



- Prepackaged and Loose Mechanical Joint Accessories
- SIGMASEAL™ Improved Mechanical Joint Gasket
- Snap-On Multi-Purpose Gasket for Ductile Iron or PVC Pressure Pipes
- OMNI-SLEEVE™ Improved Wall Penetration Sleeve
- Specialty Bolts and Nuts for Mechanical Joint Assemblies

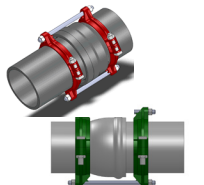
ONE-LOK™ Wedge Action Restraints



- 3-48" ONE-LOK D-SLDE Domestic Wedge Restraint for Ductile Iron Pipe
- 3-64" ONE-LOK SLDE Wedge Restraint for Ductile Iron Pipe (Import)
- 4-48" ONE-LOK T-SLDE Tandem Wedge Restraint for High Pressure Ductile Iron Pipe
- 3-36" ONE-LOK D-SLCE Domestic Wedge Restraint for PVC Pipe
- 3-12" ONE-LOK SLC Wedge Restraint for PVC Pipe (Import)
- 3-60" ONE-LOK SLCE Wedge Restraint for PVC Pipe (Import)
- 3-42" ONE-LOK SLDEH Wedge Harness Restraint for Ductile Iron Pipe
- 4-12" /16" /20" ONE-LOK SLDM Wedge Restraint for Oversized Cast Iron Pipe
- 4-48" ONE-LOK SSLD Split Wedge Restraint for Installed Ductile Iron Pipe & Fitting
- 4-36" ONE-LOK SSLDH Split Wedge Harness Restraint for Installed Ductile Iron Pipe
- 4-12" ONE-LOK SLCEH Wedge Harness Restraint for AWWA C900 PVC Pipe

Visit our website for available special coatings. <https://www.sigmaco.com/download/corsafe-alternative-coating-for-enhanced-exterior-corrosion-protection-on-wedge-and-serration-type-restrainers/>

PV-LOK™ Serration Lock Restraints



- 4-48" PV-LOK PWM Serrated Restraint for Ductile Iron Fitting & AWWA C900/905 PVC Pipe
- 4-48" PV-LOK PWP Serrated Bell Joint Restraint for AWWA C900/905 PVC Pipe
- 4-12" PV-LOK D-PWP Domestic Serrated Bell Joint Restraint for AWWA C900 PVC Pipe
- 4-12" PV-LOK PVPF Restraint for AWWA C900/905 PVC Pipe & PVC Fitting
- 4-12" PV-LOK PWH Serrated Harness Restraint for AWWA C900 PVC Pipe
- 2-12" PV-LOK PVM Serrated Restraint for Ductile Iron & IPS OD PVC pipe
- 2-12" PV-LOK PVP Serrated Bell Joint Restraint for IPS OD PVC Pipe
- 2-8" PV-LOK PVPF Serrated Restraint for IPS OD PVC Pipe & PVC Fitting
- 4-12" PV-LOK PWP Serrated Bell Joint Restraint for Ductile Iron Pipe

Visit our website for available special coatings. <https://www.sigmaco.com/download/corsafe-alternative-coating-for-enhanced-exterior-corrosion-protection-on-wedge-and-serration-type-restrainers/>

HDPE (Raven) Products



- Rotational Molded Meter Boxes & Pits
- Optional White Interior Available
- Light & Medium Duty Load Capacities
- Extensive Nationwide Inventory
- Rotational Molded Oil-Water Separators
- OEM Service Available

Municipal Construction Castings



- Manhole Rings and Covers
- Curb and Meter Boxes
- Frames and Grates
- Storm Inlets
- Valve Boxes, Risers, and Extensions

Products for the Ductile Iron Fabricator



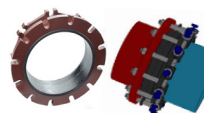
- 3-64" High Hub Threaded Flanges
- 3-48" Tapped High Hub Threaded Flanges
- 3-36" Extra Heavy 250lb Drilled Threaded Flanges
- 3-48" Threaded MJ Bell Adapters
- 3-48" MJ x PE Bell adapter
- 3-48" Anchor Flanges
- 3-16" Filler Flanges

Extended Range Products



- Flange-Pak™ Prepackaged Flange Accessory Sets
- Polyethylene Encasement for Ductile Iron Pipe
- Copper Tubing Products
- Tracer Wire & Detectable/Non-Detectable Marking Tape
- Pipe Joint Lubricant & Hydraulic Cement
- Socket Clamps and Tie Rod Accessories
- Boxlok Valve Box Alignment Device
- Cast Iron Companion Flanges

Flange Adapters



- 3-36" SIGMAFLANGE Flange Adapter Sleeve for PVC and Ductile Iron Pipe
- 2-48" ZIP FLANGE Set Screw Style Flange Adapter
- 3-36" SIGMAFLANGE Universal Joint for Flanged Fittings, Flanged Pipes & Valves