

NUMBER	DESCRIPTION	PAGE
CO 2610	Ring & Cover 7" Clear Opening 7" Ring Plain	156
CO 2610S	Ring & Cover 7" Clear Opening 7" Ring Marked "S"	157
CO 312	Valve Box Type 5 1/2" Clear Opening Marked "CO"	158
CO 344	Ring & Cover 9 3/16" Clear Opening 4" Ring Marked "Clean Out"	159
CO 348	Ring & Cover 9" Clear Opening 6" Ring Marked "S"	160
CO 349	Ring & Cover 9 1/4" Clear Opening * Ring Marked "S"	161
CO 373S	Valve Box Type Clean Out Marked "Sewer" P-107	162
CO 373W	Valve Box Type Clean Out Marked "Water" P-107	163
CO 761	Ring & Cover 11 1/2" Clear Opening 2 1/2" Ring Marked "S"	164
CO 762	Ring & Cover 8" Clear Opening 3 3/4" Ring Marked "S" Rev	165



SIGMA CORPORATION

(800) 824-4513
PO Box 519
Alexander City, AL 35011

(877) 857-7909
691 West Landstreet Road
Orlando, FL 32824

DRAWN BY: RJL DATE: 12/22/2006

CLEAN OUT

LOAD RATING:
Meets H20 Loading Standards
HEAVY DUTY

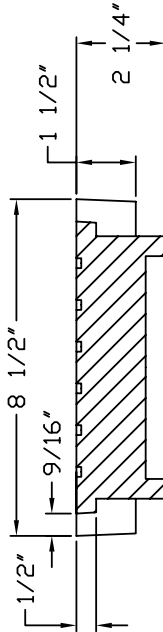
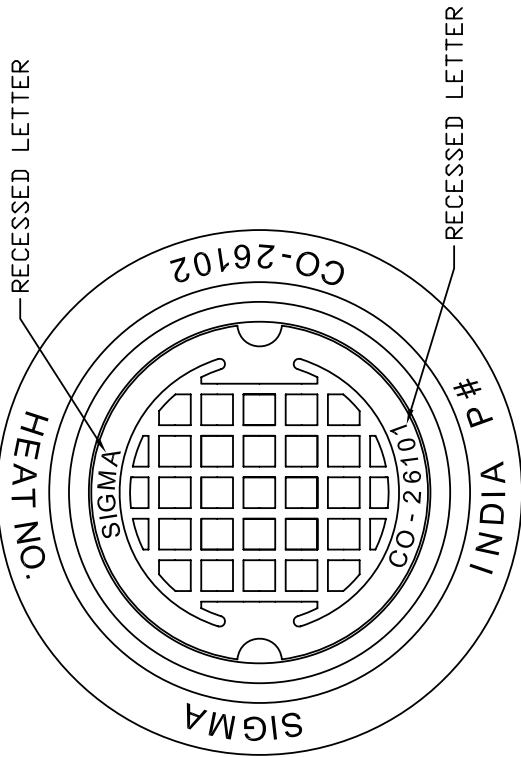
MATERIAL SPECIFICATION:
CAST IRON
ASTM A 48 CLASS 30B

OPEN AREA - SQ. IN.
N/A

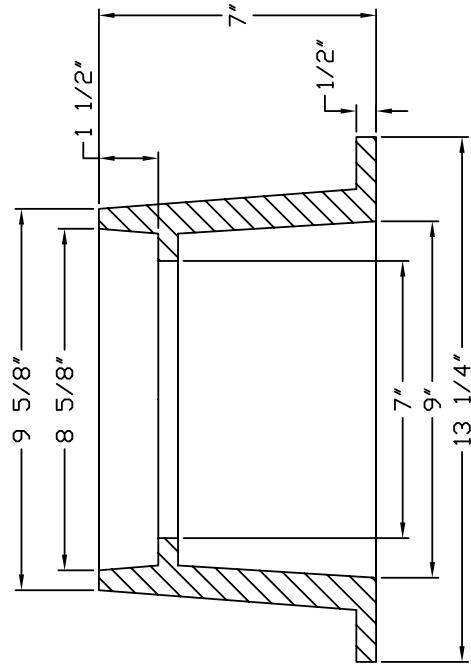
ESTIMATED WEIGHT - LB.
60

CATALOG NUMBER

CO-2610



LID SECTION



BODY SECTION



SIGMA CORPORATION

(800) 824-4513
PO Box 519
Alexander City, AL 35011

(877) 857-7909
691 West Landstreet Road
Orlando, FL 32824

DRAWN BY: RJL DATE: 12/22/2006

CLEAN OUT

LOAD RATING:
Meets H20 Loading Standards
HEAVY DUTY

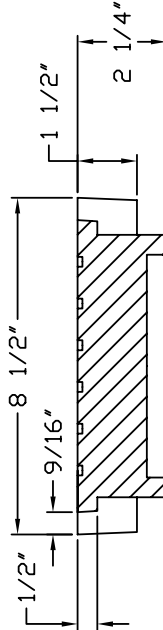
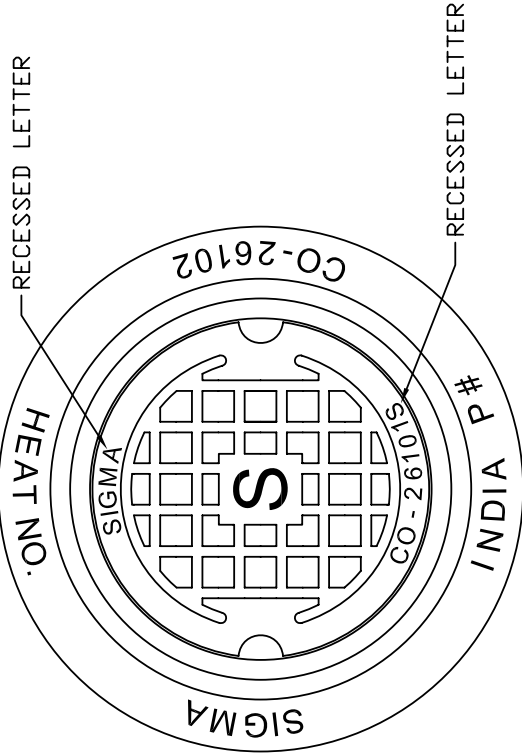
MATERIAL SPECIFICATION:
CAST IRON
ASTM A 48 CLASS 30B

OPEN AREA - SQ. IN.
N/A

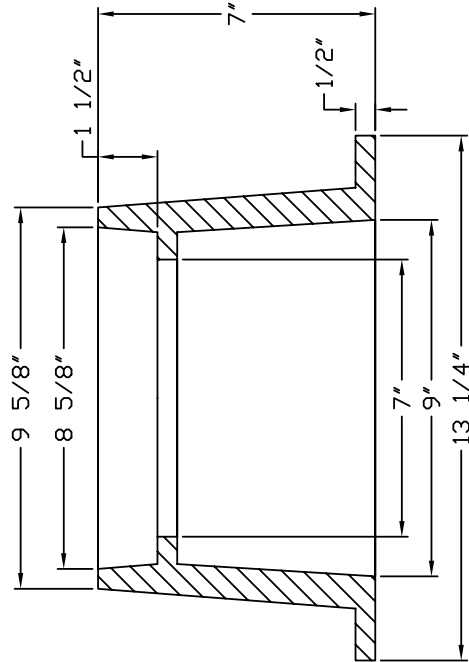
ESTIMATED WEIGHT - LB.
60

CATALOG NUMBER

CO-2610S



LID SECTION



BODY SECTION



SIGMA CORPORATION

(800) 824-4513
PO Box 519
Alexander City, AL 35011

(877) 857-7909
691 West Landstreet Road
Orlando, FL 32824

DRAWN BY: RJL DATE: 6/30/2006

**CLEAN OUT
(Wilmington)**

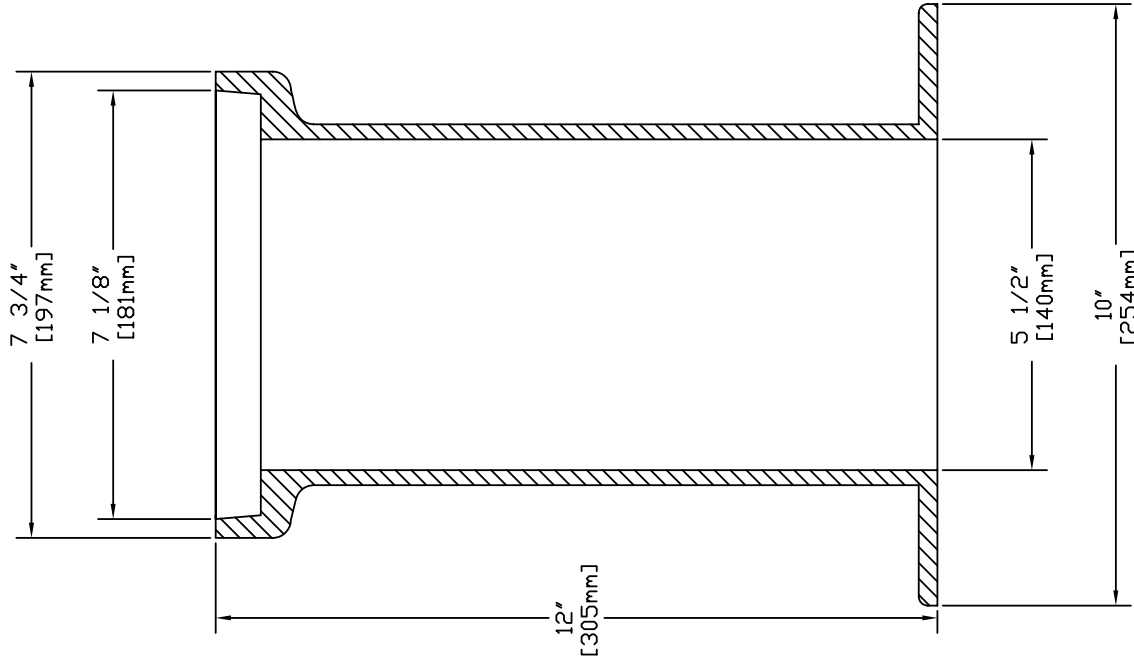
LOAD RATING:
NON-TRAFFIC

MATERIAL SPECIFICATION:
CAST IRON
ASTM A 48 CLASS 30B

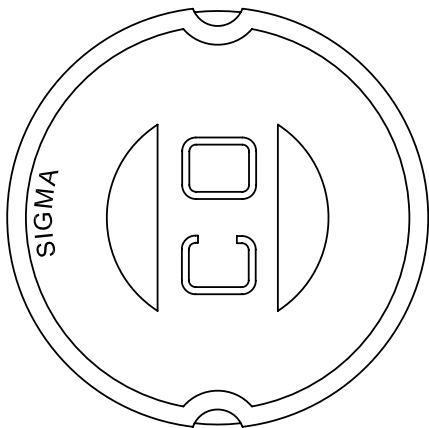
OPEN AREA - SQ. IN.
N/A

CATALOG NUMBER

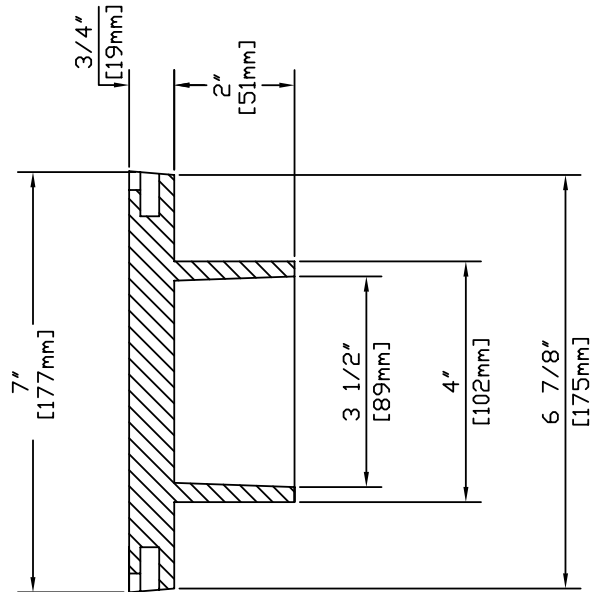
CO-312



FRAME SECTION



COVER FACE



COVER SECTION



SIGMA CORPORATION

(800) 824-4513
PO Box 519
Alexander City, AL 35011

(877) 857-7909
691 West Landstreet Road
Orlando, FL 32824

DRAWN BY: RJL DATE: 12/23/05

RING & COVER CLEANOUT

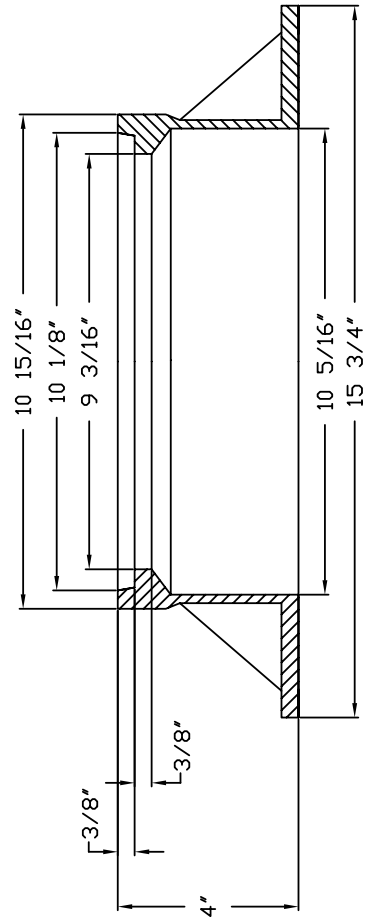
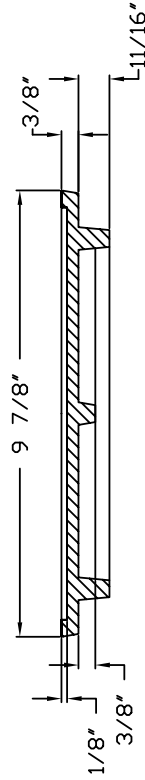
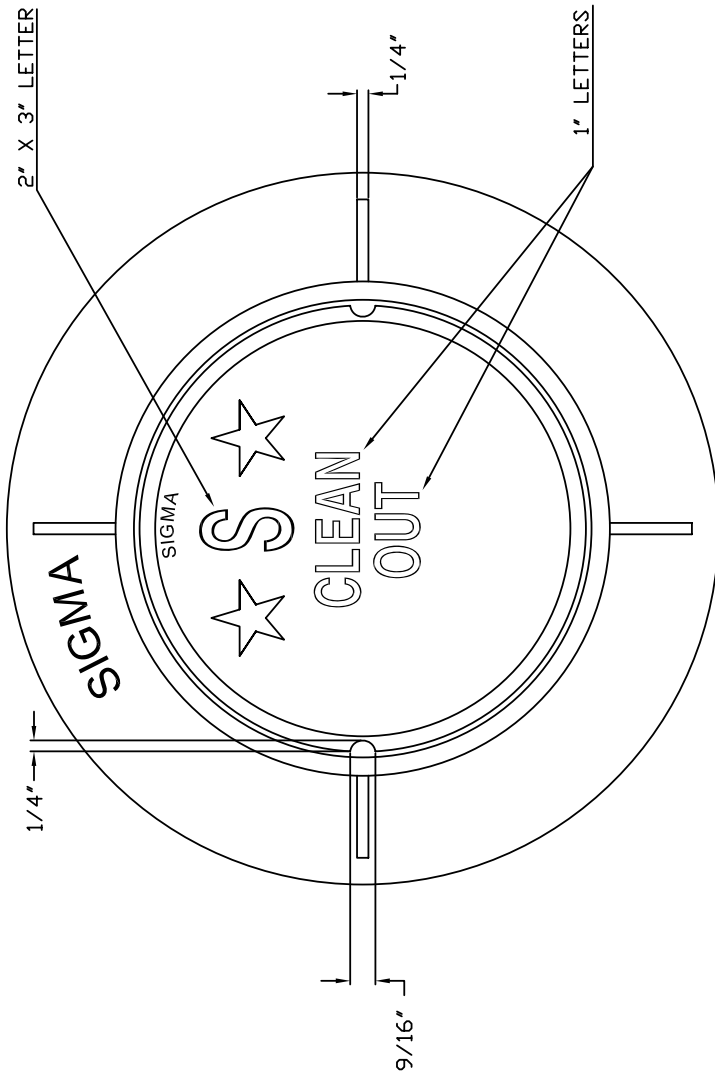
LOAD RATING:
Meets H20 Loading Standards
HEAVY DUTY

MATERIAL SPECIFICATION:
CAST IRON
ASTM A 48 CLASS 30B

OPEN AREA - SQ. IN.
N/A

CATALOG NUMBER

CO-344





SIGMA
CORPORATION

(800) 824-4513
PO Box 519
Alexander City, AL 35011

(877) 857-7909
691 West Landstreet Road
Orlando, FL 32824

DRAWN BY: RJL DATE: 12/23/05

**6" LAMPHOLE
RING & COVER
CLEANOUT**

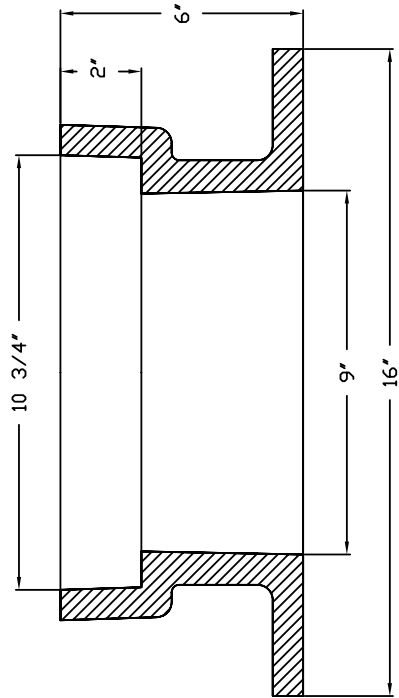
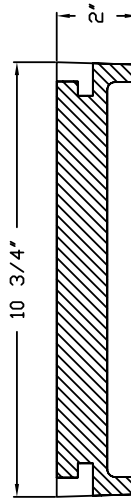
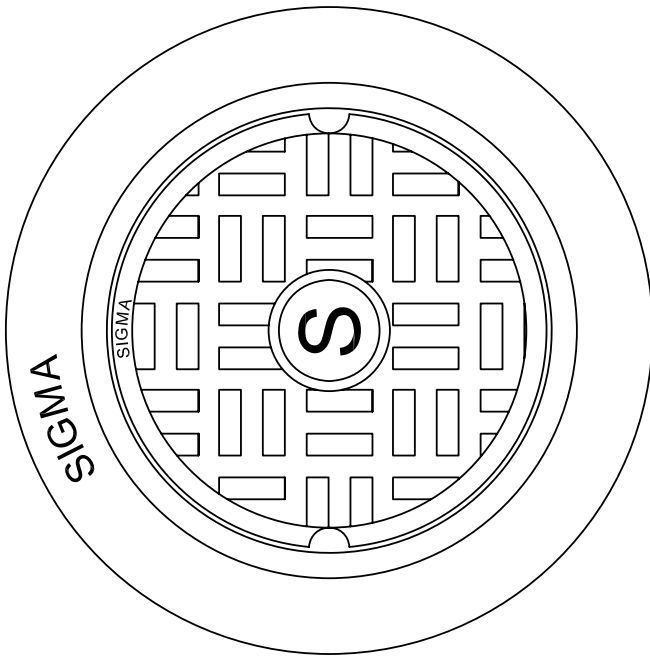
LOAD RATING:
Meets H20 Loading Standards
HEAVY DUTY

MATERIAL SPECIFICATION:
CAST IRON
ASTM A 48 CLASS 30B

OPEN AREA - SQ. IN.
N/A

CATALOG NUMBER

CO-348





SIGMA
CORPORATION

(800) 824-4513
PO Box 519
Alexander City, AL 35011

(877) 857-7909
691 West Landstreet Road
Orlando, FL 32824

DRAWN BY: RJL DATE: 12/23/05

**8" LAMPHOLE
RING & COVER
CLEANOUT**

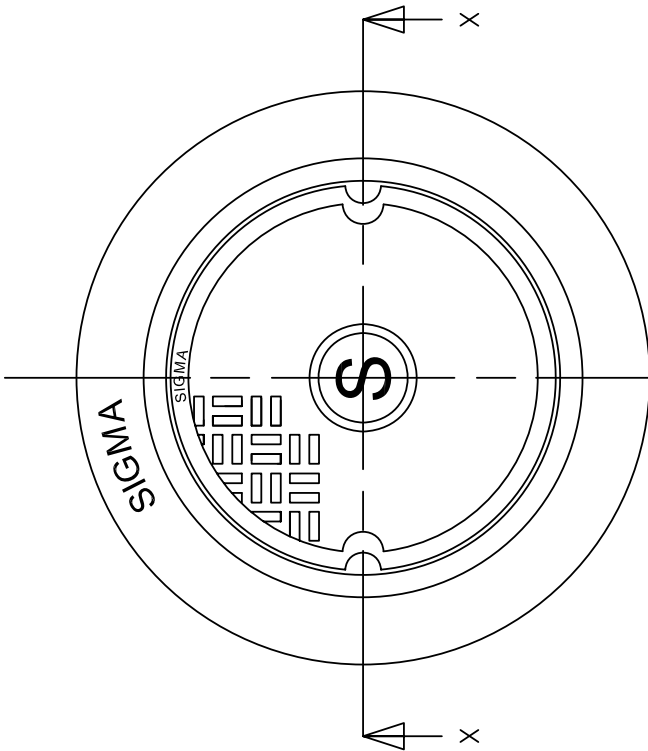
LOAD RATING:
Meets H20 Loading Standards
HEAVY DUTY

MATERIAL SPECIFICATION:
CAST IRON
ASTM A 48 CLASS 30B

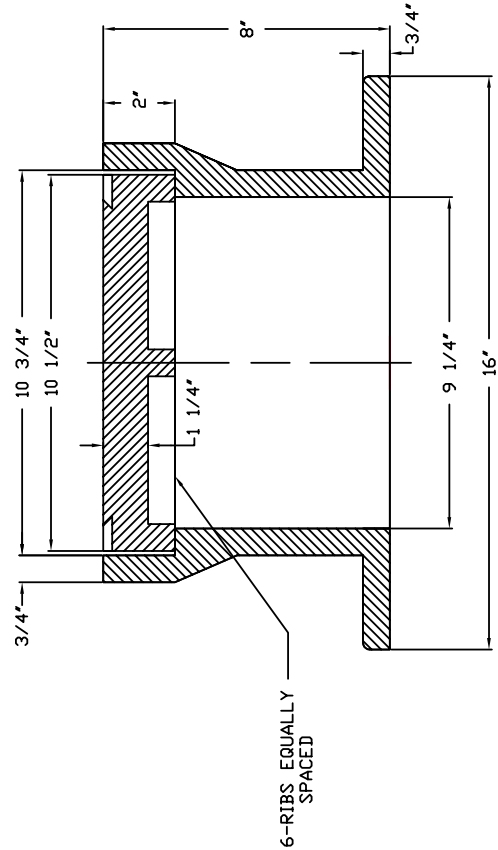
OPEN AREA - SQ. IN.
N/A

CATALOG NUMBER

CO-349



PLAN



SECTION-X-X



SIGMA CORPORATION

(800) 824-4513
PO Box 519
Alexander City, AL 35011

(877) 857-7909
691 West Landstreet Road
Orlando, FL 32824

DRAWN BY: RJL DATE: 6/30/2006

**CLEAN OUT
(P107)**

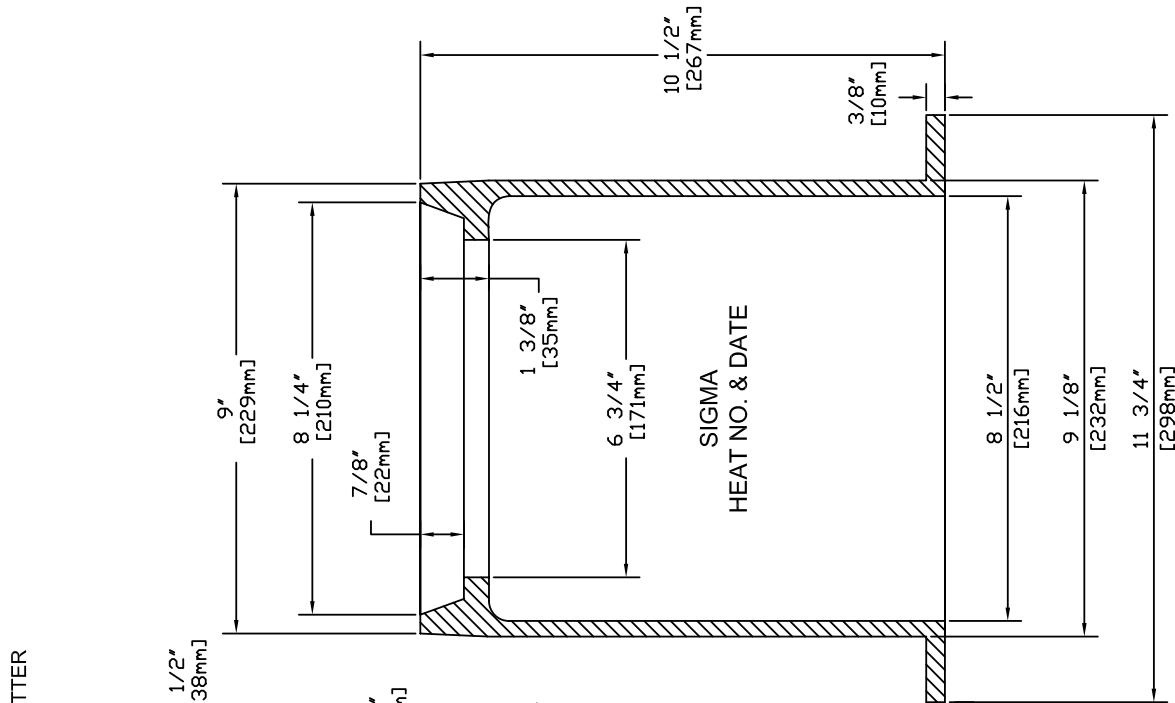
LOAD RATING:
TRAFFIC

MATERIAL SPECIFICATION:
CAST IRON
ASTM A 48 CLASS 30B

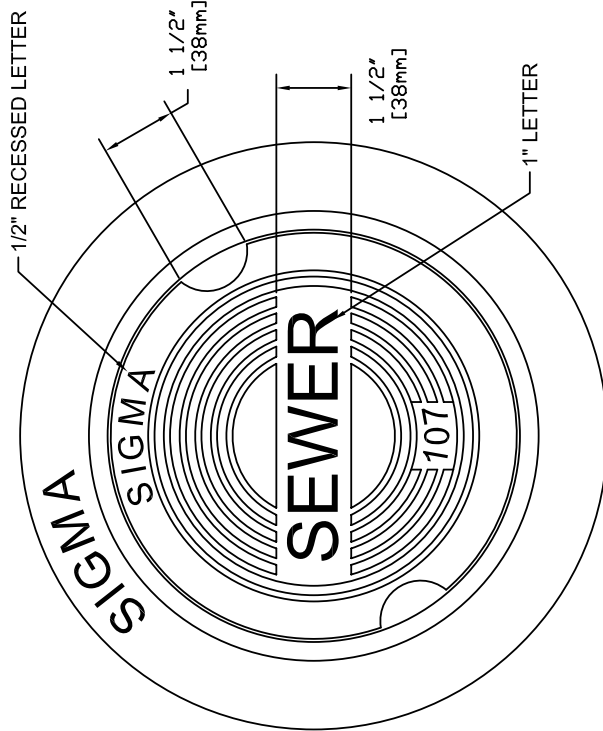
OPEN AREA - SQ. IN.
N/A

CATALOG NUMBER

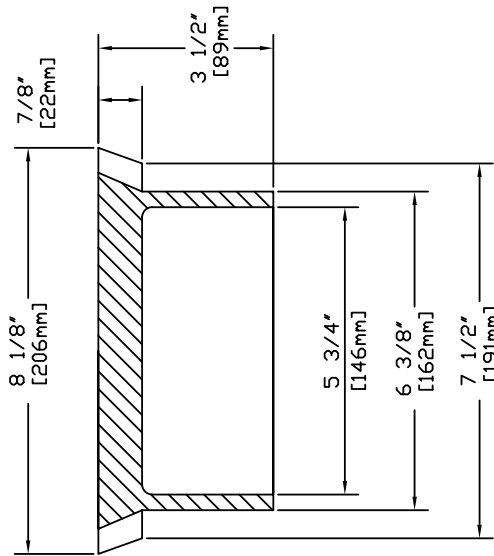
CO-373S



FRAME SECTION



COVER AND FRAME TOP VIEW



COVER SECTION



SIGMA CORPORATION

(800) 824-4513
 PO Box 519
 Alexander City, AL 35011
 (877) 857-7909
 West Landstreet Road
 Orlando, FL 32824

DRAWN BY: RJL DATE: 6/30/2006

**CLEAN OUT
 (P107)**

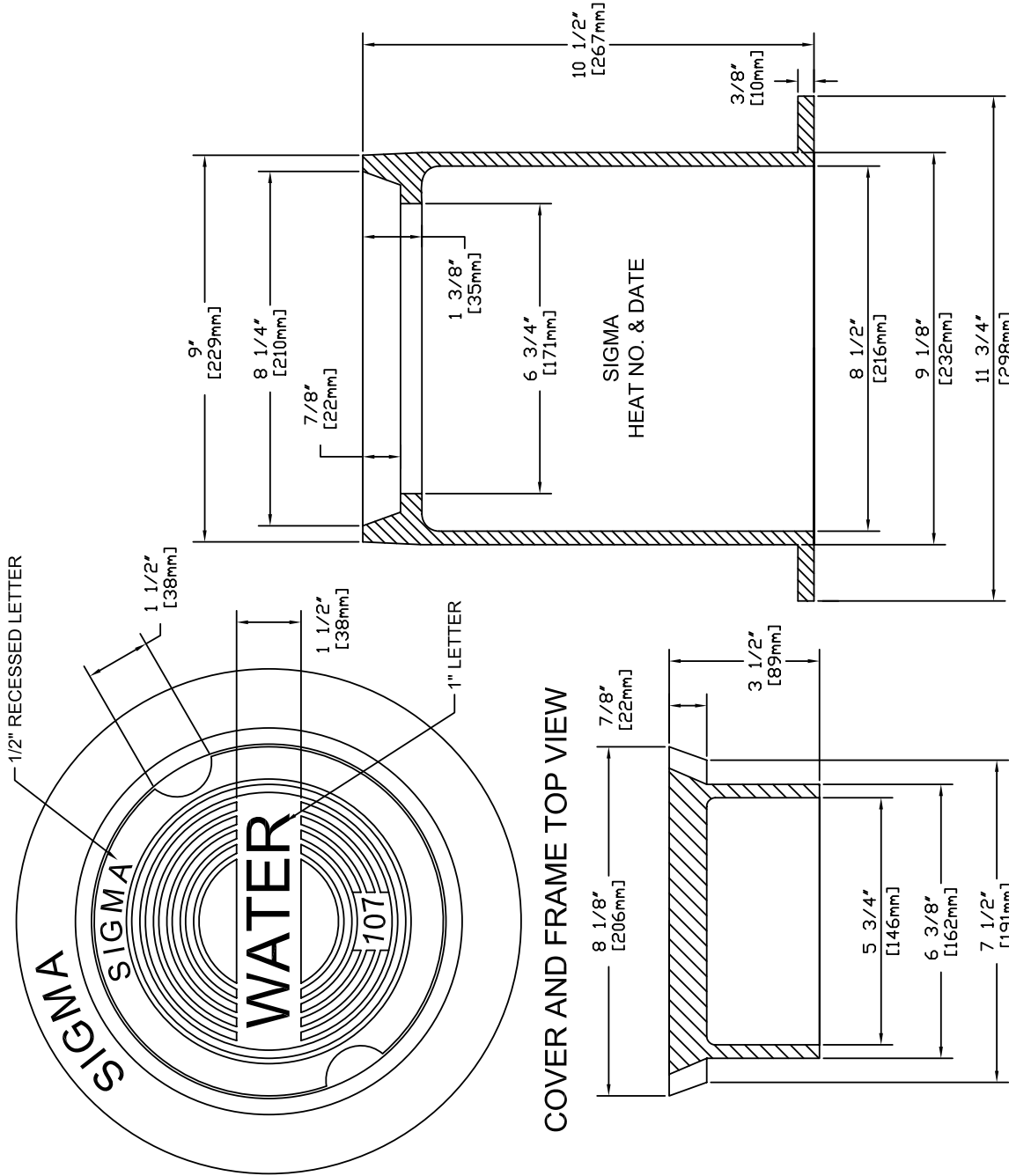
LOAD RATING:
 TRAFFIC

MATERIAL SPECIFICATION:
 CAST IRON
 ASTM A 48 CLASS 30B

OPEN AREA - SQ. IN.
 N/A

CATALOG NUMBER

CO-373W





SIGMA CORPORATION

(800) 824-4513
PO Box 519
Alexander City, AL 35011

(877) 857-7909
691 West Landstreet Road
Orlando, FL 32824

DRAWN BY: RJL DATE: 12/22/2006

CLEAN OUT

LOAD RATING:
Meets H20 Loading Standards
HEAVY DUTY

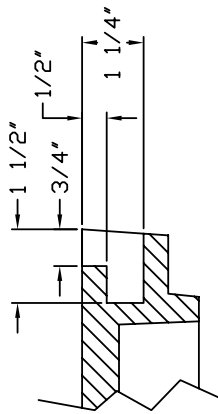
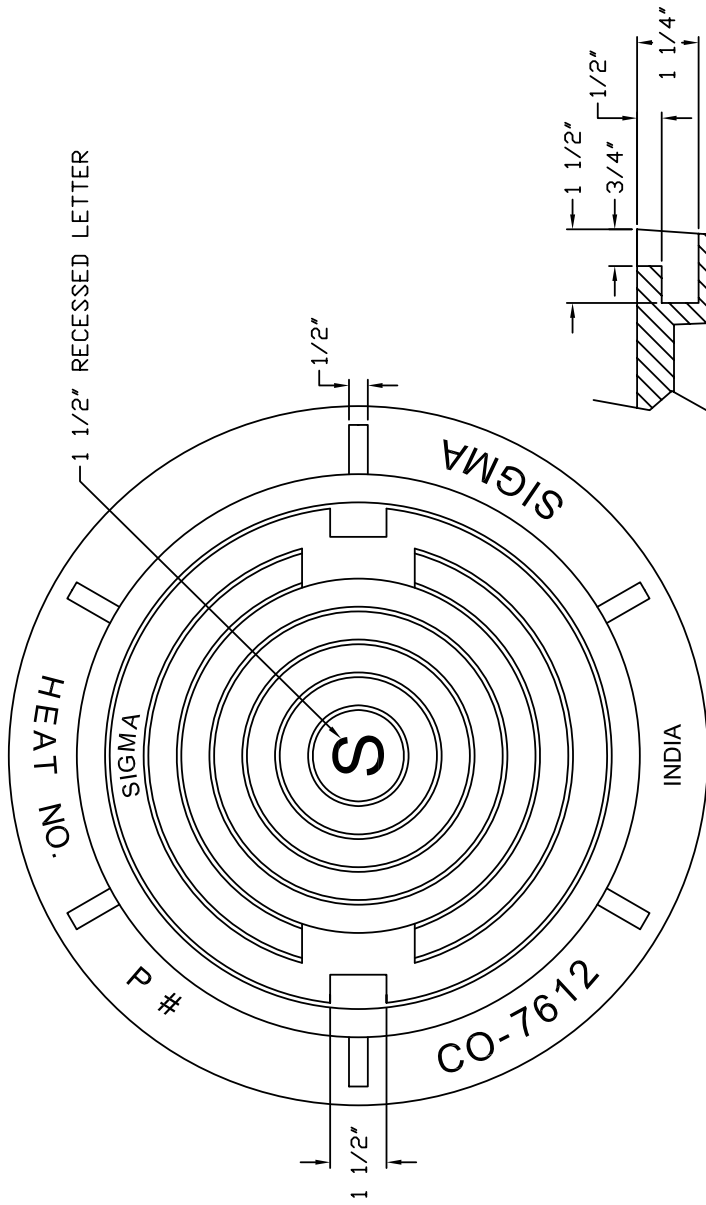
MATERIAL SPECIFICATION:
CAST IRON
ASTM A 48 CLASS 30B

OPEN AREA - SQ. IN.
N/A

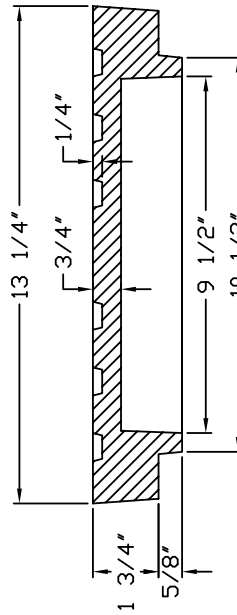
ESTIMATED WEIGHT - LB.
89

CATALOG NUMBER

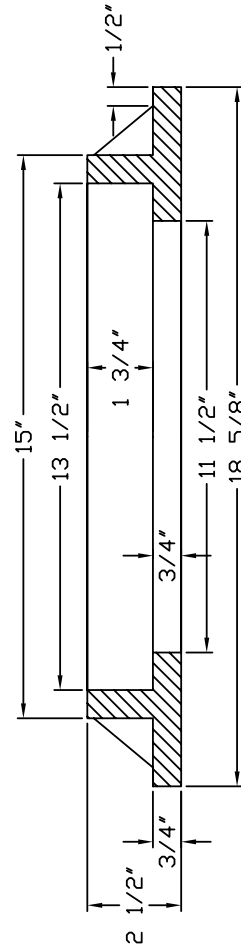
CO-761



DETAIL OF CONSEALED PICK HOLE



COVER SECTION



FRAME SECTION



SIGMA
CORPORATION

(800) 824-4513
PO Box 519
Alexander City, AL 35011

(877) 857-7909
691 West Landstreet Road
Orlando, FL 32824

DRAWN BY: RJL DATE: 12/23/05

**REVERSIBLE
RING & COVER
CLEAN OUT**

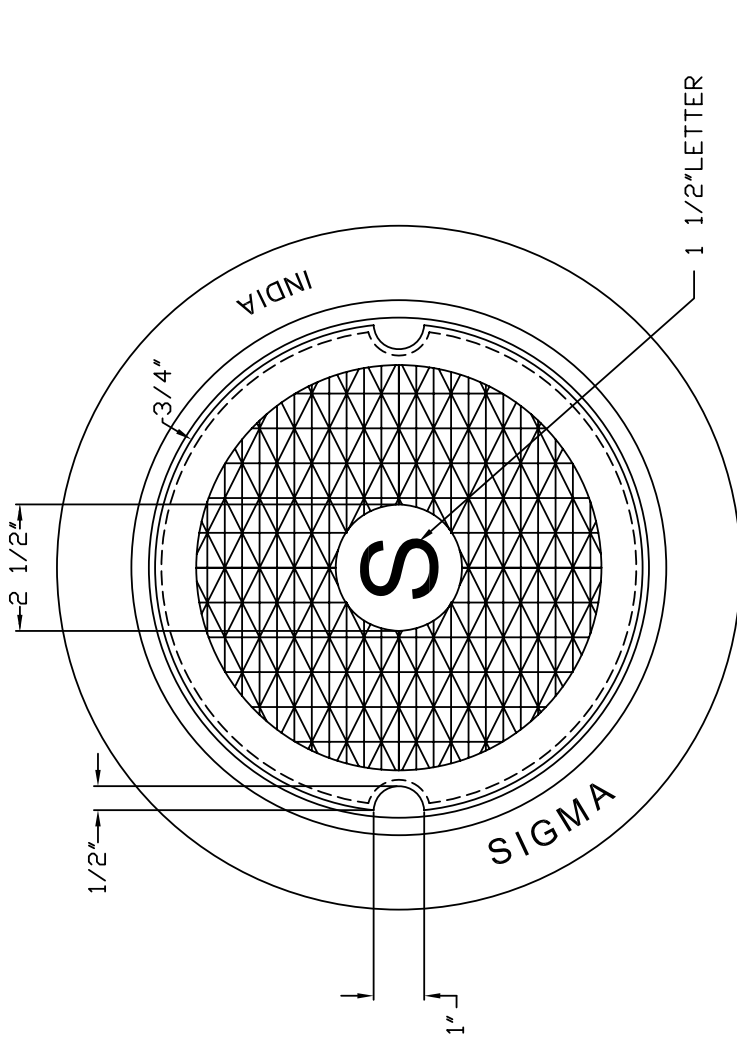
LOAD RATING:
Meets H20 Loading Standards
HEAVY DUTY

MATERIAL SPECIFICATION:
CAST IRON
ASTM A 48 CLASS 30B

OPEN AREA - SQ. IN.
N/A

ESTIMATED WEIGHT - LB.
43

CATALOG NUMBER
CO-762



RING-23 LBS.
COVER-20 LBS.

