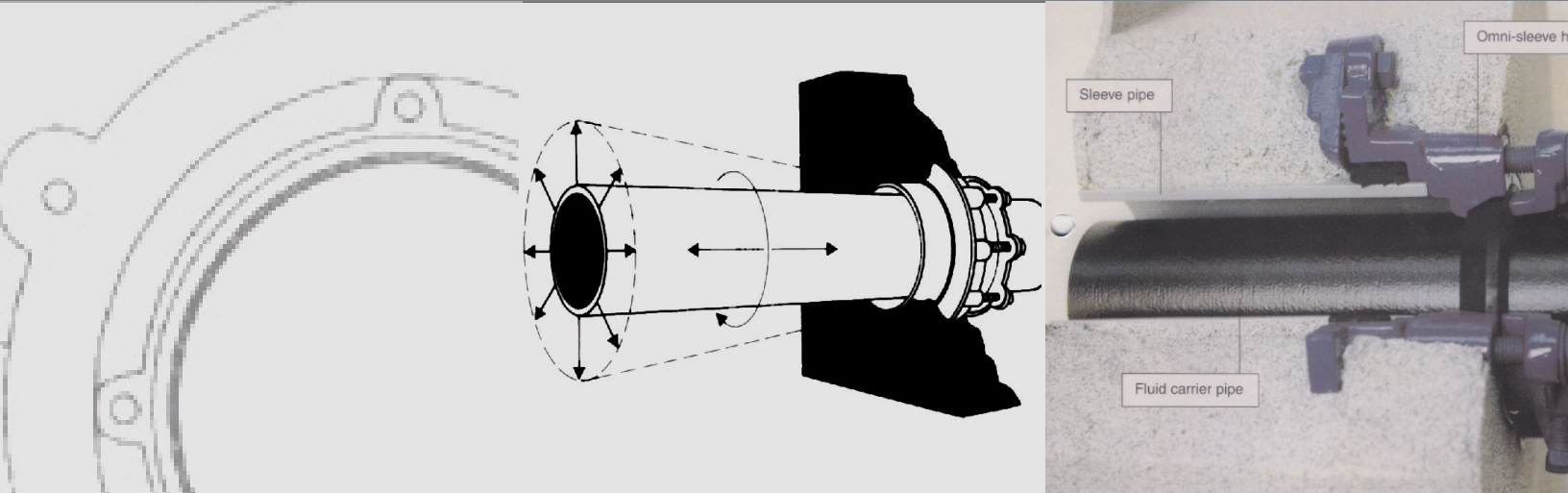


OMNI SLEEVE™ Wall Pipe Penetration Sleeve



OMNI SLEEVE with sleeve pipe as installed

HUB:

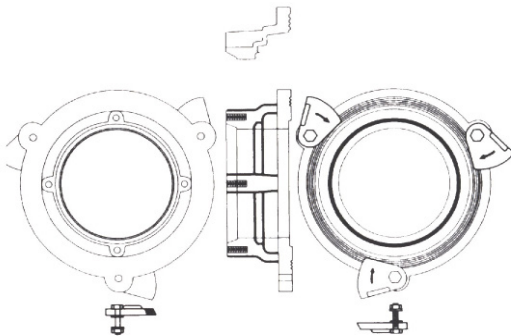
Manufactured from Ductile Iron, ASTM A536, in conformance with ANSI/AWWA C110/A21.10, Section 1011, American National Standard for Ductile and Gray Iron Fittings, 3-48" for water and other liquids.

Mechanical Joint sleeve seal is designed, manufactured, and tested in strict accordance with the applicable provisions of ANSI/AWWA C111/A21.11, American National Standard for Rubber Gasket Joints for Cast Iron and Ductile Iron Pressure Pipe and Fittings.

Drilling and Tapping conform to ANSI B1.11960, Unified Screw Threads, and to B1.2-1966, Screw Thread Gages and Gaging. Threads conform to standards and dimensions of the Coarse Thread Series, Class 2B Limits. OMNI-SLEEVE™ Hub and Sleeve Pipe are assembled and sealed with an exclusive OMNI-SEAL™ gasket.

OMNI-SEAL 'A' GASKET:

Material conforms to the applicable provisions of CSA B 620M90, Mechanical Couplings for Drain, Waste, Vent Pipe, and Sewer Pipe.



OMNI SLEEVE™ Wall Pipe Penetration Sleeve

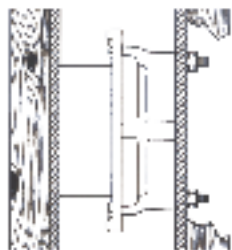
Dimensions in Inches
Weights in Pounds

Dimensional Chart

Carrier Pipe Size	Part No.	Carrier Pipe OD		Sleeve Pipe OD	Waterstop Diameter	Distance Waterstop to Wall	MJ Bolt Circle Diameter	Bolt Holes	
		DI	Steel					No.	Size
3	OSL63	3.96	3.5	6.9	11 3/4	4 3/16	6.19	4	5/8 x 3
4	OSL64	4.8	4.5	6.9	11 3/4	4 3/16	7.5	4	3/4 x 4
6	OSL86	6.9	6.625	9.05	14	4 3/16	9.5	6	3/4 x 4
8	OSL108	9.05	8.625	11.1	16	4 3/16	11.75	6	3/4 x 4
10	OSL1210	11.1	10.75	13.2	18 1/4	4 3/16	14	8	3/4 x 4
12	OSL1412	13.2	12.75	15.3	20 1/4	4 3/16	16.25	8	3/4 x 4

Note: If interested in larger sizes, we do have limited legacy inventory for pipe sizes 16-30". Please contact your local SIGMA representative about availability.

ALTERNATIVE GASKETS:



EPDM: (ethylene propylene) suitable for water and wastewater, ozones, and strong oxidizing chemicals. Temperature Range 65-250 degrees Fahrenheit.

CR: (neoprene) suitable for moderate chemicals and acids, oil fats, greases, and many solvents. Temperature Range 65-200 degrees Fahrenheit.

NBR: (Buna-N, Nylril, Hycar) suitable for gasoline, petroleum products, hydrocarbons, acids, animal and vegetable oils. Temperature Range: 65-150 degrees Fahrenheit.

FPM: (Viton) ideal for all aliphatic, aromatic, and halogenated hydrocarbons, acids, animal, and vegetable oils. Temperature Range 50-450 degrees Fahrenheit.

OMNI SLEEVE installs accurately as it can be secured to the formwork with 2 bolts, which prevents slippage or dislocation during the concrete pour.

PRESSURE RATING:

Standard mechanical joint pressure pipe seal rated to 350psi.

Suggested Specification

Wall and/or floor pipe penetrations shall be made by a means of a sleeve capable of being bolted directly to the formwork to prevent misalignment. Seal of the annular space between the carrier pipe and the sleeve shall be by means of a confined rubber gasket an capable of withstanding 350psi. Sleeve shall be manufactured from ASTM A536 Ductile Iron with an integrally cast waterstop of 1/2" minimum thickness and 2-1/2" minimum height. Wall sleeves shall be OMNI-SLEEVE™ as manufactured by SIGMA Corporation or prior approved equal.

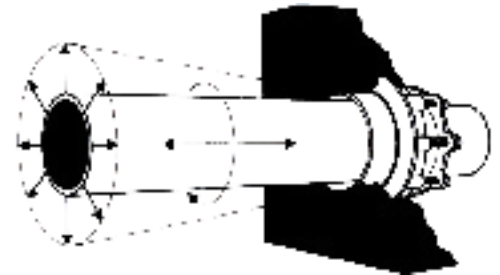


Restraint Option

OMNI-SLEEVE's standard mechanical joint also provides restraint options for your carrier pipe. Shown at left is a typical installation utilizing SIGMA's ONE-LOK Wedge Action Restraint Gland. Using a ONE-LOK or alternatively, using tie-rods from the OMNI-SLEEVE to the next flange will provide additional restraint to the assembly.

Vibration Absorption

OMNI-SLEEVE's unique design adapts to settling and seismic movement and also allows deflection of the carrier pipe system.



Other Features

- Integrally cast-in waterstop
- Ribbed Anchor Ring to provide more positive seal with concrete
- AWWA/ANSI Standardized Bolt Hole Spacing
- Cam Locks rotate into place to secure the carrier pipe



LOCATIONS

Northeast Region

Cream Ridge, New Jersey (HQ)

700 Goldman Drive
Cream Ridge, NJ 08514
Phone (800) 999-2550
crmcsr@sigmaco.com

REPCO

51 Rue Gingras
Warwick, QC J0A 1M0
Phone (888) 744-6262
jbourcher@repco.ca

Concord Supply

2353 Bowman Street
Innisfil, Ontario L9S 3V6
Phone (877) 436-3800
tanya@concordsupply.ca

Midwest Region

Sauk Village, Illinois

21699 Torrence Avenue
Sauk Village, IL 60411
Phone (888) 999-0420
chicrs@sigmaco.com

Denver, Colorado

22700 I-76 Frontage Rd
Brighton, CO 80603
Phone (888) 999-0420
dbrugger@sigmaco.com

Southeast Region

Alexander City, Alabama

1500 Highway 22 W
Alexander City, AL 35010
Phone (800) 824-4513
alxcsr@sigmaco.com

Southwest Region

Houston, Texas

5000 Askins Lane
Houston, TX 77093
Phone (800) 999-0109
htncsr@sigmaco.com

Western Region

Ontario, California

4652 E. Guasti Road
Ontario, CA 91761
Phone (800) 688-6230
ontcsr@sigmaco.com

Auburn, Washington (Branch)

902 W Main Street
Auburn, WA 98001
Phone (800) 688-6230
ontcsr@sigmaco.com

www.sigmaco.com

Terms and Conditions of Sales available at our website.

AWWA Ductile Iron Fittings



- 2-64" C153 Ductile Iron Mechanical Joint Fittings
- 2-48" C110 Ductile Iron Mechanical Joint Fittings
- 2-64" C110 Ductile Iron Flanged Fittings
- 3-24" C153 Ductile Iron Push-On Fittings
- 4-24" C110 Ductile Iron Push-On Fittings
- 3-36" Ductile Iron Mechanical Joint Connector
- C116 Fusion Bonded Epoxy Lining Available
- PROTECTO 401® Ceramic Epoxy Lining Available

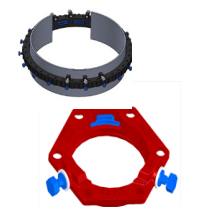
Visit our website for available special coatings. <https://www.sigmaco.com/project/fittings-coatings-linings/>

Mechanical Joint Accessories



- Prepackaged and Loose Mechanical Joint Accessories
- SIGMASEAL™ Improved Mechanical Joint Gasket
- Snap-On Multi-Purpose Gasket for Ductile Iron or PVC Pressure Pipes
- OMNI-SLEEVE™ Improved Wall Penetration Sleeve
- Specialty Bolts and Nuts for Mechanical Joint Assemblies

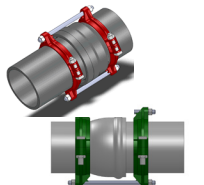
ONE-LOK™ Wedge Action Restraints



- 3-48" ONE-LOK D-SLDE Domestic Wedge Restraint for Ductile Iron Pipe
- 3-64" ONE-LOK SLDE Wedge Restraint for Ductile Iron Pipe (Import)
- 4-48" ONE-LOK T-SLDE Tandem Wedge Restraint for High Pressure Ductile Iron Pipe
- 3-36" ONE-LOK D-SLCE Domestic Wedge Restraint for PVC Pipe
- 3-12" ONE-LOK SLC Wedge Restraint for PVC Pipe (Import)
- 3-60" ONE-LOK SLCE Wedge Restraint for PVC Pipe (Import)
- 3-42" ONE-LOK SLDEH Wedge Harness Restraint for Ductile Iron Pipe
- 4-12" /16" /20" ONE-LOK SLDM Wedge Restraint for Oversized Cast Iron Pipe
- 4-48" ONE-LOK SSLD Split Wedge Restraint for Installed Ductile Iron Pipe & Fitting
- 4-36" ONE-LOK SSLDH Split Wedge Harness Restraint for Installed Ductile Iron Pipe
- 4-12" ONE-LOK SLCEH Wedge Harness Restraint for AWWA C900 PVC Pipe

Visit our website for available special coatings. <https://www.sigmaco.com/download/corsafe-alternative-coating-for-enhanced-exterior-corrosion-protection-on-wedge-and-serration-type-restrainers/>

PV-LOK™ Serration Lock Restraints



- 4-48" PV-LOK PWM Serrated Restraint for Ductile Iron Fitting & AWWA C900/905 PVC Pipe
- 4-48" PV-LOK PWP Serrated Bell Joint Restraint for AWWA C900/905 PVC Pipe
- 4-12" PV-LOK D-PWP Domestic Serrated Bell Joint Restraint for AWWA C900 PVC Pipe
- 4-12" PV-LOK PVPF Restraint for AWWA C900/905 PVC Pipe & PVC Fitting
- 4-12" PV-LOK PWH Serrated Harness Restraint for AWWA C900 PVC Pipe
- 2-12" PV-LOK PVM Serrated Restraint for Ductile Iron & IPS OD PVC pipe
- 2-12" PV-LOK PVP Serrated Bell Joint Restraint for IPS OD PVC Pipe
- 2-8" PV-LOK PVPF Serrated Restraint for IPS OD PVC Pipe & PVC Fitting
- 4-12" PV-LOK PWP Serrated Bell Joint Restraint for Ductile Iron Pipe

Visit our website for available special coatings. <https://www.sigmaco.com/download/corsafe-alternative-coating-for-enhanced-exterior-corrosion-protection-on-wedge-and-serration-type-restrainers/>

HDPE (Raven) Products



- Rotational Molded Meter Boxes & Pits
- Optional White Interior Available
- Light & Medium Duty Load Capacities
- Extensive Nationwide Inventory
- Rotational Molded Oil-Water Separators
- OEM Service Available

Municipal Construction Castings



- Manhole Rings and Covers
- Curb and Meter Boxes
- Frames and Grates
- Storm Inlets
- Valve Boxes, Risers, and Extensions

Products for the Ductile Iron Fabricator



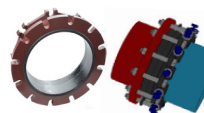
- 3-64" High Hub Threaded Flanges
- 3-48" Tapped High Hub Threaded Flanges
- 3-36" Extra Heavy 250lb Drilled Threaded Flanges
- 3-48" Threaded MJ Bell Adapters
- 3-48" MJ x PE Bell adapter
- 3-48" Anchor Flanges
- 3-16" Filler Flanges

Extended Range Products



- Flange-Pak™ Prepackaged Flange Accessory Sets
- Polyethylene Encasement for Ductile Iron Pipe
- Copper Tubing Products
- Tracer Wire & Detectable/Non-Detectable Marking Tape
- Pipe Joint Lubricant & Hydraulic Cement
- Socket Clamps and Tie Rod Accessories
- Boxlok Valve Box Alignment Device
- Cast Iron Companion Flanges

Flange Adapters



- 3-36" SIGMAFLANGE Flange Adapter Sleeve for PVC and Ductile Iron Pipe
- 2-48" ZIP FLANGE Set Screw Style Flange Adapter
- 3-36" SIGMAFLANGE Universal Joint for Flanged Fittings, Flanged Pipes & Valves