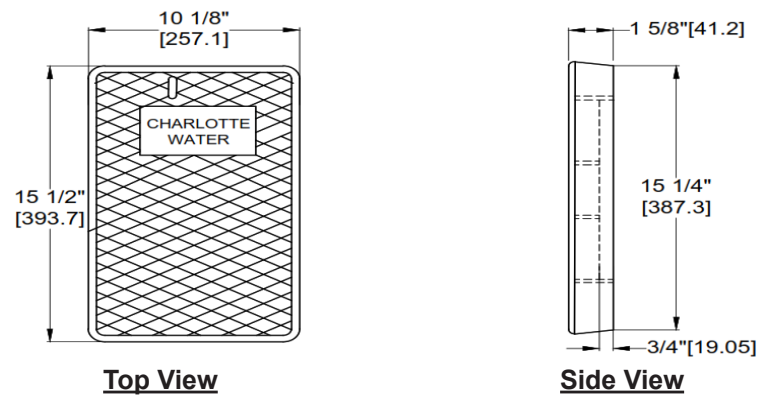
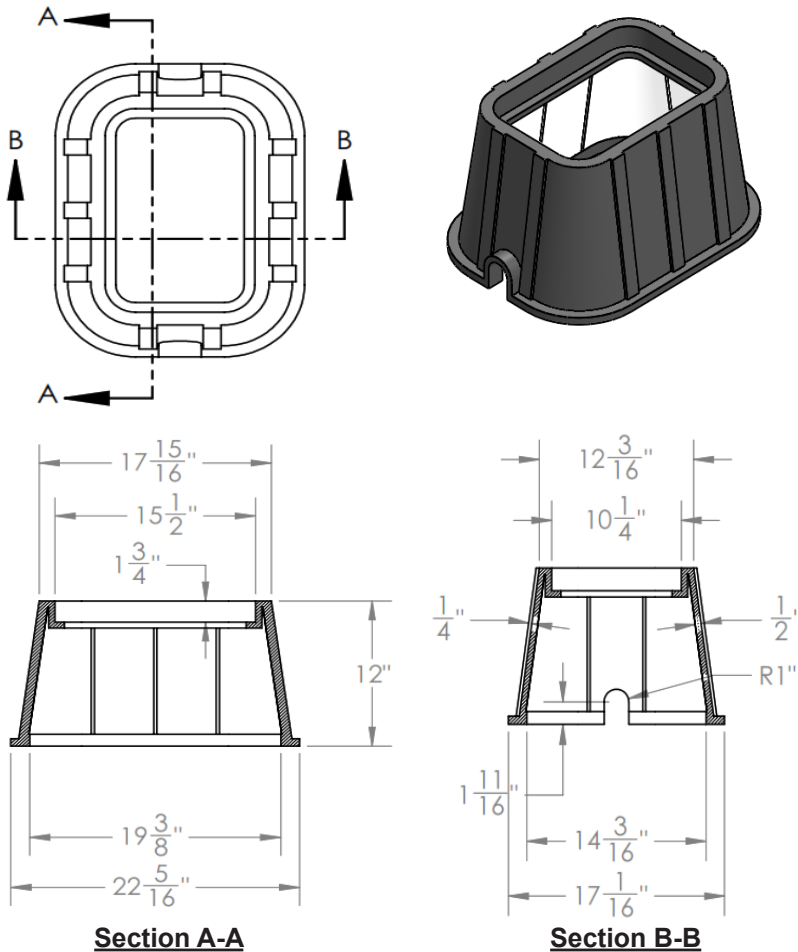


RMB101512-FL-GY Specifications with N1015CLTWAT-UM Lid



Manufacture Process:

RMB101512-FL-GY: Sigma Flare Wall Meter Boxes are produced using Polyethylene regrind and virgin resins in a series of LAMINATED WALLS with an optional white interior coating. The outer wall is LAMINATED to the interior wall providing greater side load-bearing capacity. When the two walls are laminated together the Molecular Structure (fibers) from each wall are crossed, creating a dual layer of much greater strength and wall thickness. The box will have two pre-formed pipe entry areas, located at the center of each end (short side) of the box.

Interior: Interior shall be smooth and made of bright white polyethylene.

Settling: Flare Wall Meter Box shall have an integral flat settling plate around the base.

Lids: Flare Wall Meter Box will accept all standard covers. (also, AMR lids). Lid will have a textured non-slip surface.

Load Testing: These are not traffic rated.

N1015CLTWAT-UM: SIGMA lid is made with 100% virgin No-Break polymer for consistency in material and quality; virgin material enables UV inhibitors to be added, supports RF-transparency.

Made using injection molding method for uniform construction integrity.

Meets ADA slip resistant requirements: coefficient of static friction @ 0.73 (dry) and not less than 0.50 (wet).