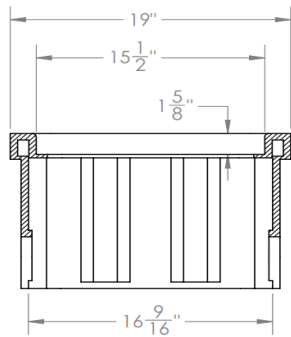
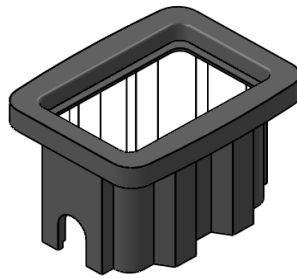
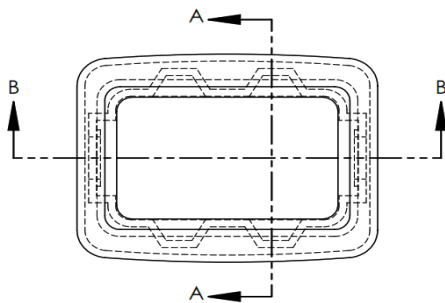
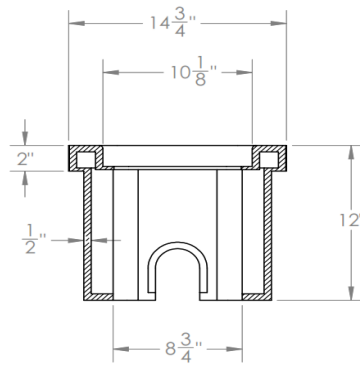


RMB101512NSW-W Specifications with RMB1015-LRC Lid

Black Exterior
and
Bright White Interior

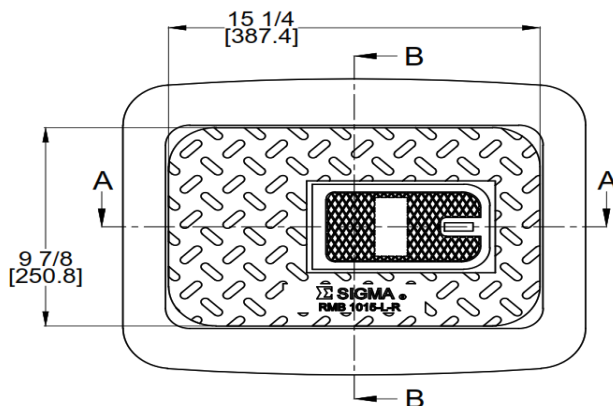


SECTION B-B



SECTION A-A

ALL DIMENSIONS ARE IN INCHES
DIMENSIONAL TOLERANCE +/- 1/8"



RMB101512NSW-W (Box):

- SIGMA Non-Stacking Straight Wall Meter Boxes are produced using Polyethylene regrind and virgin resins in a series of LAMINATED WALLS.
- The outer wall is LAMINATED to the interior wall providing greater side load-bearing capacity.
- Wall thickness shall be 1/2" and such that when buried, it will support an incidental traffic load with an appropriate traffic rated lid.
- The box will have two pre-formed pipe entry areas, located at the center of each end (short side) of the box.
- Interior shall be smooth and made of bright white polyethylene.
- Straight Wall Meter Box shall have an integral flat settling plate around the base.

RMB1015-LRC (Lid): Lid is 10x15 with reader and cement filled.

- Made with 100% virgin No-Break polymer for consistency in material and quality; virgin material enables UV inhibitors to be added, supports RF-transparency.
- Made using injection molding method for uniform construction integrity.
- Meets ADA slip resistant requirements: coefficient of static friction @ 0.73 (dry) and not less than 0.50 (wet).
- To achieve the required load the lid is reinforced with concrete.

Vertical Load Test: For Tier 8 the vertical load is distributed over a 254mm (10 inch) x 254mm (10 inch) area. The load is to be applied with a 254mm (10 inch) x 254mm (10 inch) x 25mm (1 inch) thick steel load plate backed with a 13mm (1/2 inch) thick rubber shim.

Side Wall Load Test: For Tier 8 the design bearing pressure is uniformly distributed and applied parallel to the top surface of the enclosure on the longest wall. The pressures are trans-mitted by a flat, rigid steel plate(s) 610mm (24 inch) x 457mm (18 inch) x 25mm (1 inch).

Vertical crush will exceed 20,000 pounds and sidewall load will exceed 900 pounds per sq. ft.