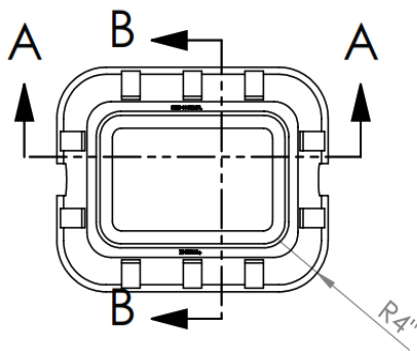
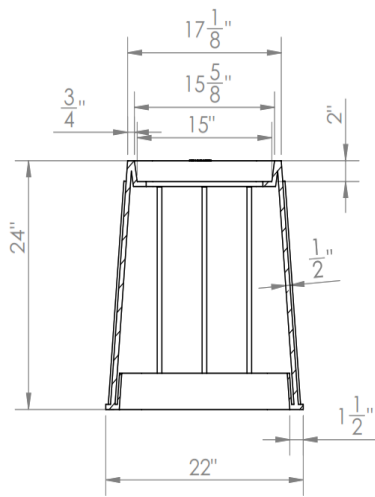
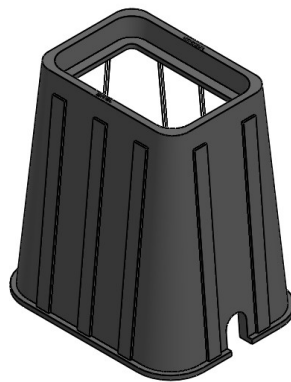


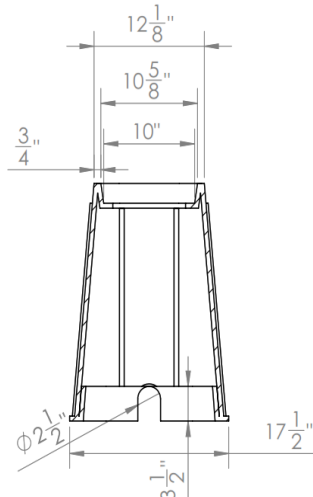
### RMB101524-FL-W Specifications with N1015BLKWATS-TS Lid



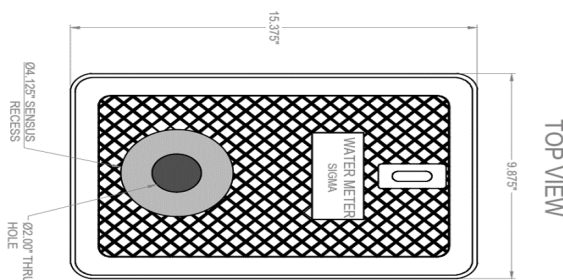
Black Exterior  
and  
Bright White Interior



SECTION A-A



SECTION B-B



TOP VIEW

**Manufacture Process:**

**RMB101524-FL-W:** Sigma Flare Wall Meter Boxes are produced using Polyethylene regrind and virgin resins in a series of LAMINATED WALLS with an optional white interior coating. The outer wall is LAMINATED to the interior wall providing greater side load-bearing capacity. When the two walls are laminated together the Molecular Structure (fibers) from each wall are crossed, creating a dual layer of much greater strength and wall thickness. The box will have two pre-formed pipe entry areas, located at the center of each end (short side) of the box.

Box load rating = 9500 lbs

**N101BLKWATS-TS Lid:** Sigma Lid is manufactured in Polyethylene.

**Interior:** Interior shall be smooth and made of bright white polyethylene.

**Settling:** Flare Wall Meter Box shall have an integral flat settling plate around the base.

**Lids:** Flare Wall Meter Box will accept all standard covers. (also, AMR lids). Lid will have a textured non-slip surface.

**Load Testing:** These are not traffic rated.