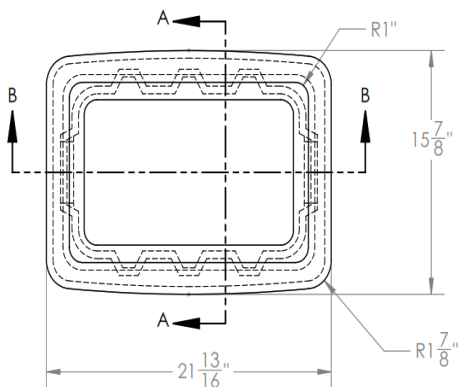
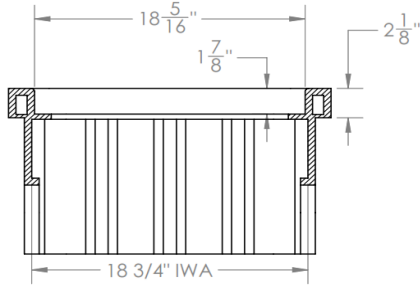
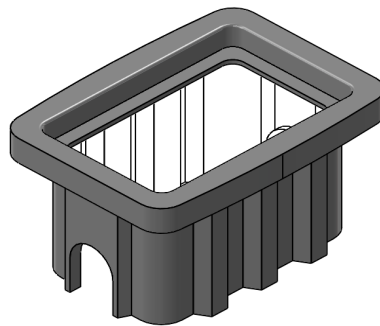


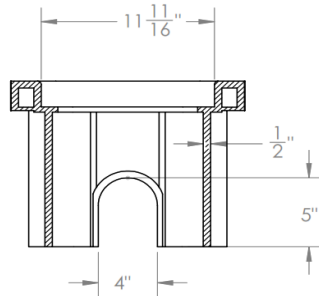
## RMB111812NSW-W Specifications with N1118BLKTAM Lid



**Black Exterior  
and  
Bright White Interior**

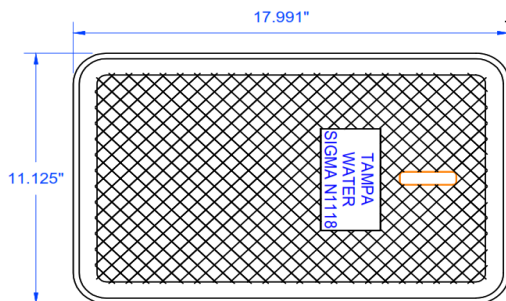


SECTION B-B



SECTION A-A

**ALL DIMENSIONS ARE IN INCHES  
DIMENSIONAL TOLERANCE +/- 1/8"**



### **RMB111812NSW-W:**

- SIGMA Non-Stacking Straight Wall Meter Boxes are produced using Polyethylene regrind and virgin resins in a series of LAMINATED WALLS.
- The outer wall is LAMINATED to the interior wall providing greater side load-bearing capacity.
- Wall thickness shall be 1/2" and such that when buried, it will support an incidental traffic load with an appropriate traffic rated lid.
- The box will have two pre-formed pipe entry areas, located at the center of each end (short side) of the box.
- Interior shall be smooth and made of bright white polyethylene.
- Straight Wall Meter Box shall have an integral flat settling plate around the base.

### **N1118BLKTAM:**

- Made with 100% virgin No-Break polymer for consistency in material and quality; virgin material enables UV inhibitors to be added, supports RF-transparency.
- Made using injection molding method for uniform construction integrity.
- Meets ADA slip resistant requirements: coefficient of static friction @ 0.73 (dry) and not less than 0.50 (wet).

### **Vertical Load Test:**

H20 load rated based upon a test involving a 9x9 plate applying 20,000 lbs load for one minute with no permanent damage or deflection.

Vertical crush will exceed 20,000 pounds.