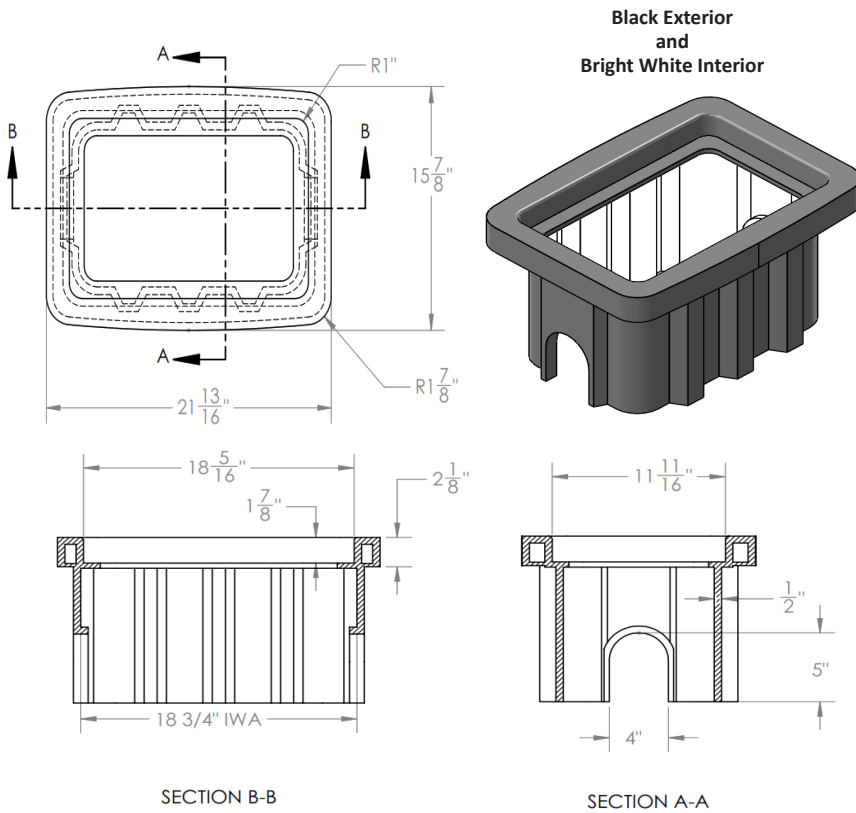
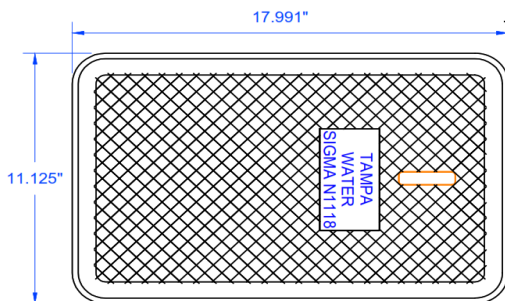


RMB11812NSW-W Specifications with N118BLKTAM Lid



ALL DIMENSIONS ARE IN INCHES
DIMENSIONAL TOLERANCE +/- 1/8"



RMB11812NSW-W:

- SIGMA Non-Stacking Straight Wall Meter Boxes are produced using Polyethylene regrind and virgin resins in a series of LAMINATED WALLS.
- The outer wall is LAMINATED to the interior wall providing greater side load-bearing capacity.
- Wall thickness shall be 1/2" and such that when buried, it will support an incidental traffic load with an appropriate traffic rated lid.
- Density of the material is 0.935 to 0.941 g/cc.
- The box will have two pre-formed pipe entry areas, located at the center of each end (short side) of the box.
- Interior shall be smooth and made of bright white polyethylene.
- Straight Wall Meter Box shall have an integral flat settling plate around the base.

N118BLKTAM:

- Made with 100% virgin No-Break polymer for consistency in material and quality; virgin material enables UV inhibitors to be added, supports RF-transparency.
- Density of the material is 0.935 to 0.941 g/cc.
- Made using injection molding method for uniform construction integrity.
- Meets ADA slip resistant requirements: coefficient of static friction @ 0.73 (dry) and not less than 0.50 (wet).

Vertical Load Test:

H2O load rated based upon a test involving a 9x9 plate applying 20,000 lbs load for one minute with no permanent damage or deflection.

Vertical crush will exceed 20,000 pounds.