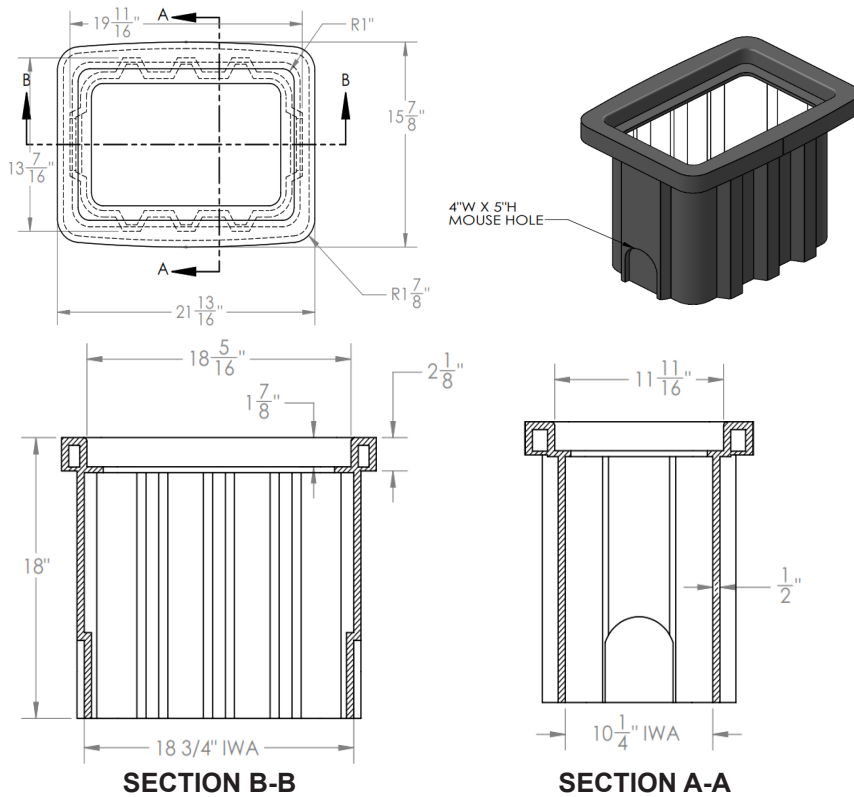
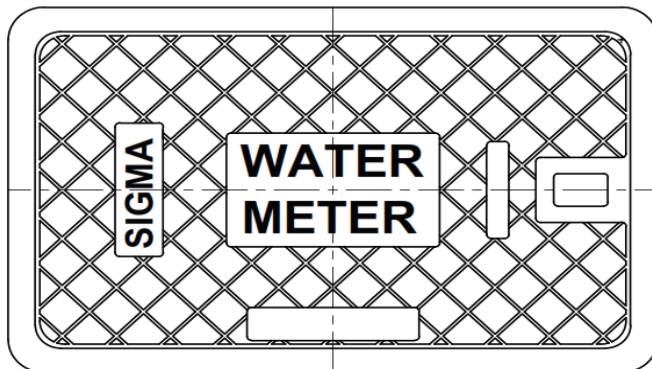


## RMB111818-NSW-WB Specifications With N118BLKWAT HDPE Lid



### N118BLKWAT HDPE Lid



### Manufacture Process:

**RMB111818-NSW-WB:** Sigma Non-Stacking Straight Wall Meter Boxes are produced using Polyethylene regrind and virgin resins in a series of LAMINATED WALLS with an optional white interior coating. The outer wall is LAMINATED to the interior wall providing greater side load-bearing capacity. When the two walls are laminated together the Molecular Structure (fibers) from each wall are crossed, creating a dual layer of much greater strength and wall thickness.

The box is molded in a single operation. The box will have no preformed pipe entry areas, and a solid bottom.

**N118BLKWAT:** Sigma Lid is manufactured in HDPE. The box and lid together are tested in compliance with ASTE 77 Standard and meets the minimum Tier 8 vertical loading requirements.

*Interior:* Interior shall be smooth and made of bright White polyethylene.

*Settling:* Straight Wall Meter Box shall have a solid bottom.

### Load Testing:

**Vertical Load Test:** 12000 pound vertical load crush capacity.