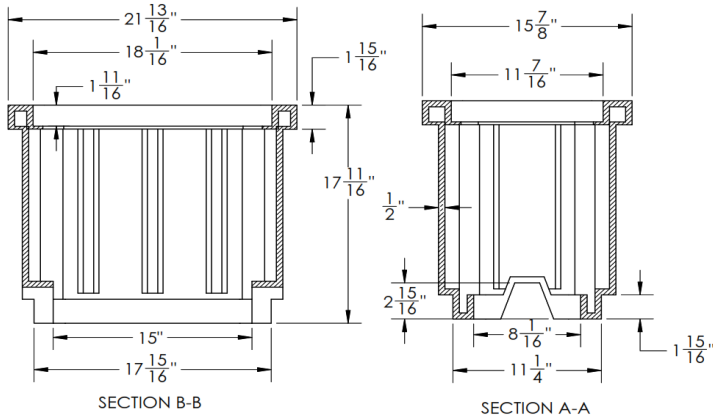
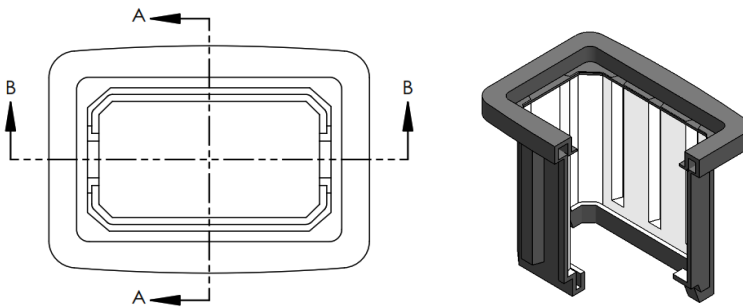
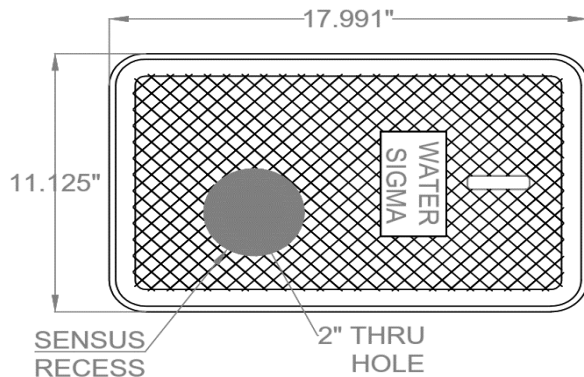


RMB11818-SWM-W Specifications with N118BLKWAT-TS Lid

Black Exterior
and
Bright White Interior



TOP VIEW



Manufacture Process:

RMB11818-SWM-W SIGMA Stacking Straight Wall Meter Boxes are produced using Polyethylene regrind and virgin resins in a series of LAMINATED WALLS with white interior. The outer wall is LAMINATED to the interior wall providing greater side load-bearing capacity. When the two walls are laminated together the Molecular Structure (fibers) from each wall are crossed, creating a dual layer of much greater strength and wall thickness. Wall thickness shall be $\frac{1}{2}$ " and such that when buried, it will support an incidental traffic load with an appropriate traffic rated lid. The box will have two pre-formed pipe entry areas, located at the center of each end (short side) of the box.

Interior: Interior shall be smooth and made of bright White polyethylene.

Settling: Straight Wall Meter Box shall have an integral flat a settling plate around the base.

N118BLKWAT-TS Lid:

- Made with 100% virgin No-Break polymer for consistency in material and quality; virgin material enables UV inhibitors to be added, supports RF-transparency.
- Made using injection molding method for uniform construction integrity.
- Meets ADA slip resistant requirements: coefficient of static friction @ 0.73 (dry) and not less than 0.50 (wet).

Vertical Load Test:

H20 load rated based upon a test involving a 9x9 plate applying 20,000 lbs load for one minute with no permanent damage or deflection.

Vertical crush will exceed 20,000 pounds.