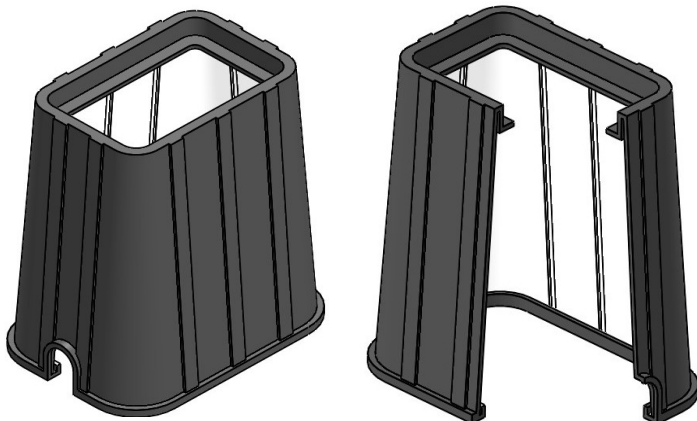
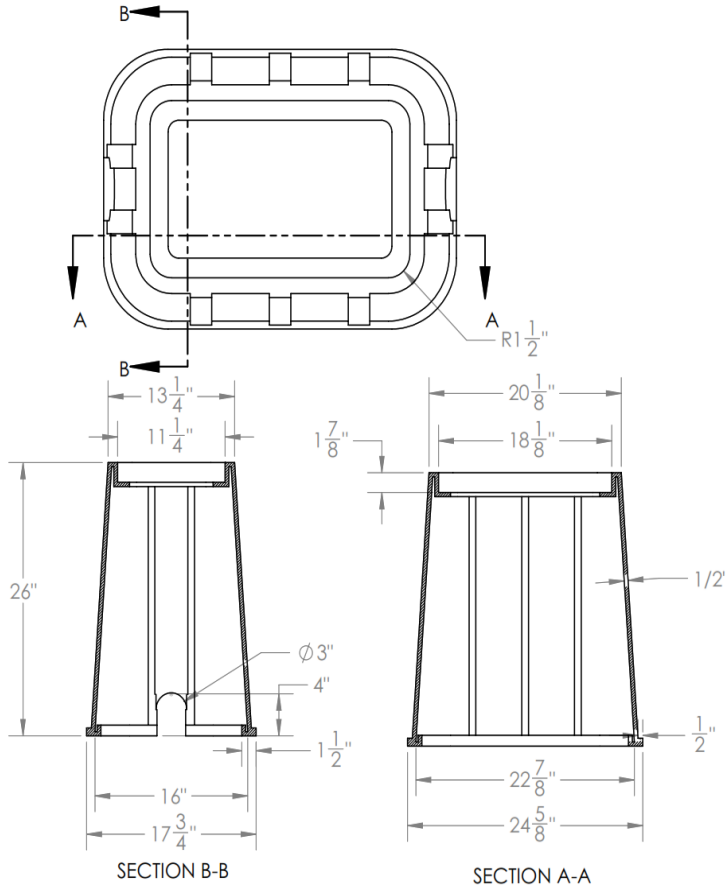




# Raven HDPE Products

Quality – Service – Commitment – Delivered.

## RMB111826-FL Specifications 11x18x26 SIGMA-Raven Flared Wall Meter Box



### Manufacture Process:

**RMB111826-FL:** Sigma Flare Wall Meter Boxes are produced using Polyethylene regrind and virgin resins in a series of LAMINATED WALLS with an optional white interior coating. The outer wall is LAMINATED to the interior wall providing greater side load-bearing capacity. When the two walls are laminated together the Molecular Structure (fibers) from each wall are crossed, creating a dual layer of much greater strength and wall thickness. The box will have two pre-formed pipe entry areas, located at the center of each end (short side) of the box.

Interior: Interior shall be smooth and made of bright white polyethylene.

Settling: Flare Wall Meter Box shall have an integral flat settling plate around the base.

Load Testing: These are not traffic rated.

All Dimensions are in inches  
Dimensional tolerance +/- 1/8"