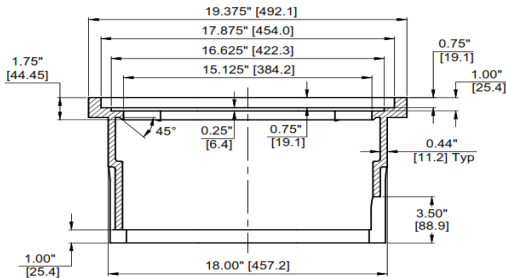
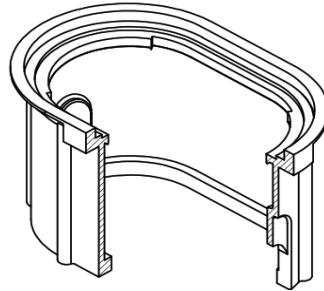
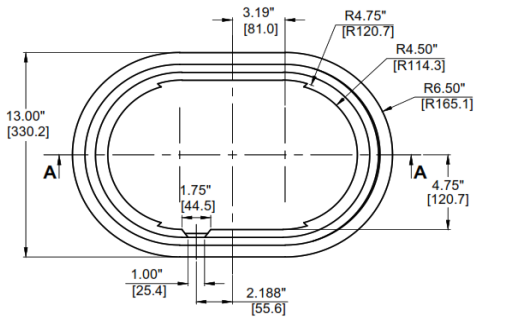
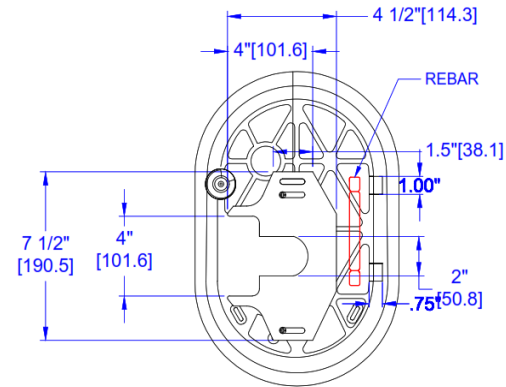
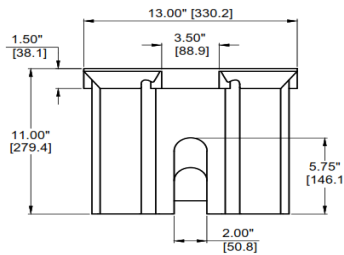


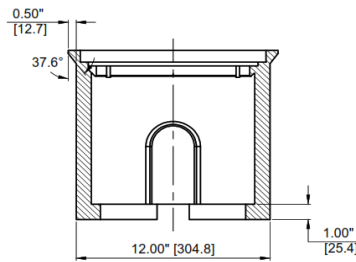
RMB1218-SAWS Specifications with Lid N1117BLKSAWS-UM



SECTION A-A



BOTTOM VIEW



SECTION B-B

RMB1218-SAWS:

- SIGMA Oval Meter Box for SAWS is produced using Polyethylene regrind and virgin resins in a series of LAMINATED WALLS.
- This Meter Box is made without laminating the side walls to provide enhanced dimensional control for proper lid fitment.
- Wall thickness shall be 1/2" and such that when buried, it will support an incidental traffic load with an appropriate traffic rated lid.
- Density of the material is 0.935 to 0.941 g/cc.
- The box will have two pre-formed pipe entry areas, located at the center of each end (short side) of the box.
- Interior shall be smooth and made of bright white polyethylene.
- The Oval meter box shall have an integral flat settling plate around the base.

Lid N1117BLKSAWS-UM:

- Made with 100% virgin No-Break polymer for consistency in material and quality; virgin material enables UV inhibitors to be added, supports RF-transparency.
- Density of the material is 0.935 to 0.941 g/cc.
- Made using injection molding method for uniform construction integrity.
- Meets ADA slip resistant requirements: coefficient of static friction @ 0.73 (dry) and not less than 0.50 (wet).
- Lid tested at H20.

Meter Box Notes:

1. All the dimensions are in inches units, Metric units are in parentheses.
2. Material: HDPE
3. Tolerance should be +/1 0.0625", unless otherwise specified.
4. Refer SIGMA QIP Doc. No.: QM/QIP/RVN for manufacturing & inspection procedure.