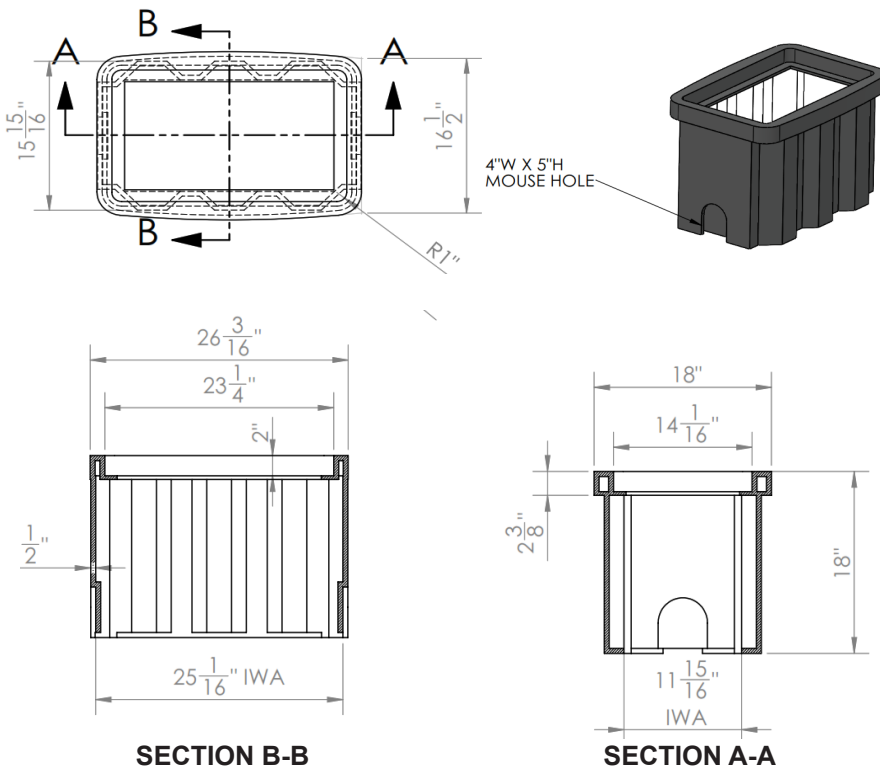


RMB132418-NSW-WB Specifications With LC1324-D Ductile Iron Lid



Manufacture Process:

RMB132418-NSW-WB: Sigma Non-Stacking Straight Wall Meter Boxes are produced using Polyethylene regrind and virgin resins in a series of LAMINATED WALLS with an optional white interior coating. The outer wall is LAMINATED to the interior wall providing greater side load-bearing capacity. When the two walls are laminated together the Molecular Structure (fibers) from each wall are crossed, creating a dual layer of much greater strength and wall thickness.

The box is molded in a single operation. The box will have no preformed pipe entry areas, and a solid bottom.

LC1324-D Sigma Lid is manufactured in Ductile Iron as per ASTM, A 536. The material grade is permanently cast on the Lid. The box and lid together are tested in compliance with AASHTO H20 Standard and meets the minimum H20 loading requirements.

Interior: Interior shall be smooth and made of bright White polyethylene.

Settling: Straight Wall Meter Box shall have a solid bottom.

Load Testing:

Vertical Load Test: 20000 pound vertical load crush capacity.

LC1324-D Ductile Iron Lid

