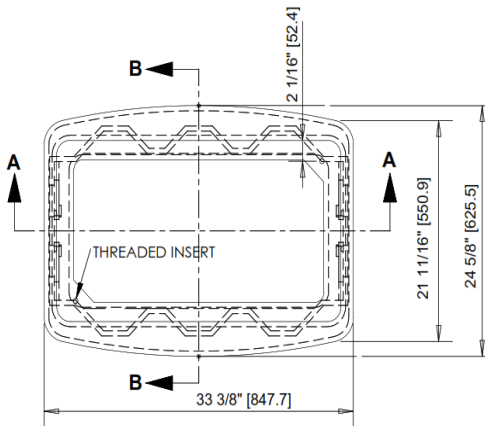
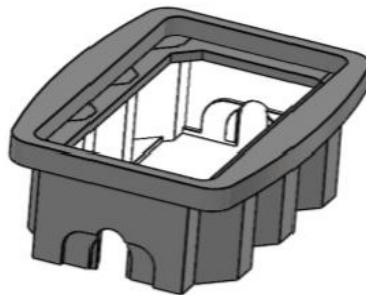


# RMB173012-NSW-W Specifications With LC1730R-D Ductile Iron Lid



Black Exterior  
and  
Bright White Interior



### Manufacture Process:

**RMB173012-NSW-W:** Sigma Non-Stacking Straight Wall Meter Boxes are produced using Polyethylene regrind and virgin resins in a series of LAMINATED WALLS with an optional white interior coating. The outer wall is LAMINATED to the interior wall providing greater side load-bearing capacity. When the two walls are laminated together the Molecular Structure (fibers) from each wall are crossed, creating a dual layer of much greater strength and wall thickness. Wall thickness shall be 1/2" such that when buried, it will support an incidental traffic load as explained with an appropriate traffic rated lid.

The box is molded in a single operation. The box will have two preformed pipe entry areas, located on the center of each end (short side) of the box.

**LC1730R-D:** Sigma Lid is manufactured in Ductile Iron as per ASTM, A 536. The material grade is permanently cast on the Lid. The box and lid together are tested in compliance with AASHTO H20 Standard and ANSI/SCTE 77 2010 meets the minimum H20 loading requirements and Tier 8 Vertical and Lateral load requirements. Lid possesses a 6"x9" reader door for ease of meter reading.

Interior: Interior shall be smooth and made of bright White polyethylene.

Settling: Straight Wall Meter Box shall have an integral flat a settling plate around the base.

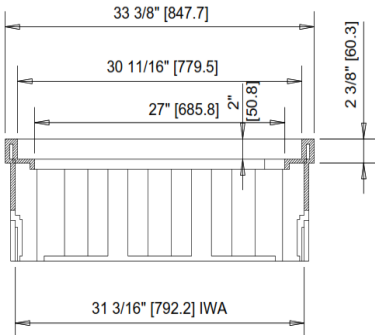
Lids: Straight Wall Meter Box will accept all standard covers. (also, AMR lids). Lid will have a textured non-slip surface.

### Load Testing:

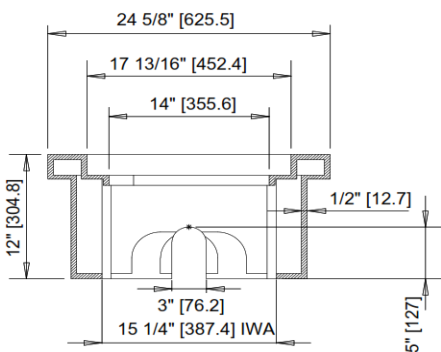
**Vertical Load Test:** For Tier 8 the vertical load is distributed over a 254mm (10 inch) x 254mm (10 inch) area. The load is to be applied with a 254mm (10 inch) x 254mm (10 inch) x 25mm (1 inch) thick steel load plate backed with a 13mm (1/2 inch) thick rubber shim.

**Side Wall Load Test:** For Tier 8 the design bearing pressure is uniformly distributed and applied parallel to the top surface of the enclosure on the longest wall. The pressures are transmitted by a flat, rigid steel plate(s) 610mm (24 inch) x 457mm (18 inch) x 25mm (1 inch).

Vertical crush will exceed 20,000 pounds and sidewall load will exceed 900 pounds per sq. ft.



SECTION A-A



SECTION B-B

