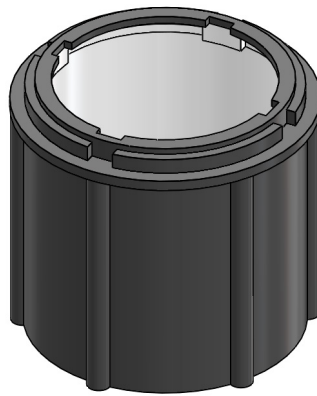
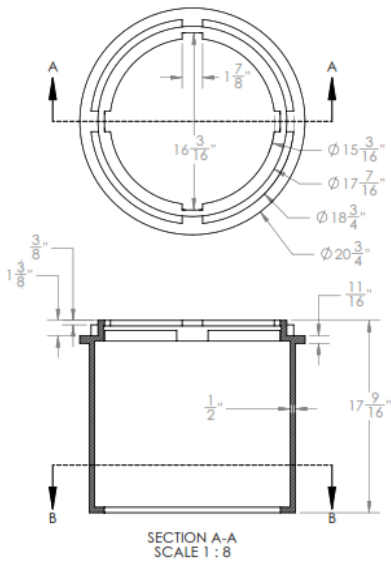




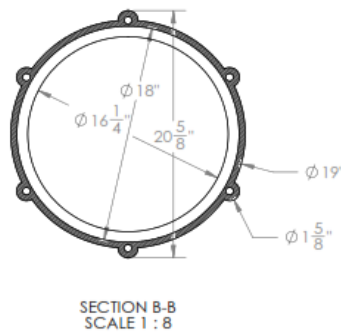
Raven HDPE Products

Quality – Service – Commitment – Delivered.

18" "Can" Type Meter Pit RMP1818-DWU Specifications



RMP1818-DWU-WW	White Exterior/White Interior
RMP1818-DWU-W	Black Exterior/White Interior



Manufacture Process: Sigma-Raven meter pits are produced using High Density Polyethylene regrind and virgin resins in a series of LAMINATED WALLS with an optional white interior coating. The outer wall is LAMINATED to the interior wall providing greater side load-bearing capacity. When the two walls are laminated together the Molecular Structure (fibers) from each wall are crossed, creating a dual layer of much greater strength and wall thickness. Wall thickness shall be such that when buried, it will support a incidental traffic load as explained with an appropriate traffic rated lid.

Impact: Impact tests shall be conducted at two different locations. These are (1) the top of pit at lid area and (2) at the center area. Failure of the test specimen shall be any crack, split or shatter of the wall section. Test using a 10-lb Tub B and flat plate Holder B. Test one pit per run if failure occurs test 3 more pits. If no failure occurs the run is approved.

Exterior: Black or White based on part #.

Interior: Interior shall be White.

Settling: Tapered Meter Pit shall have an integral flat a settling plate around the base.

Designed to accept SIGMA MB151 DI 18" Ring with Locking Lid.

- Manufactured of High Density Polyethylene in compliance with minimum AASHTO H20 loading.
- This product is designed to withstand minimum H20 loading in non-deliberate or incidental traffic areas such as driveways, parking lots and off-road applications.

