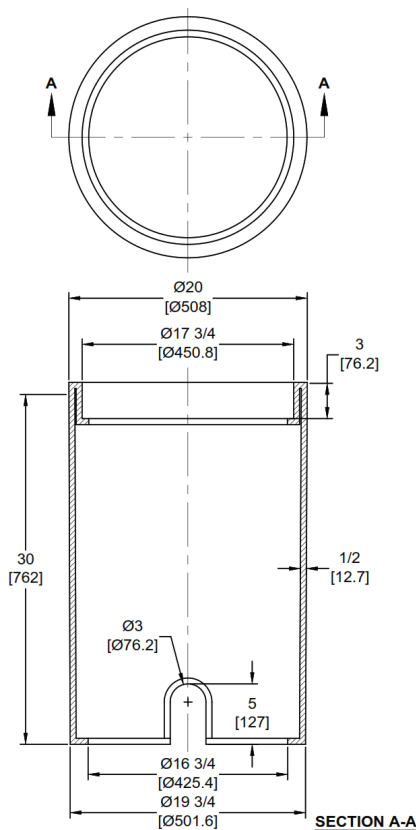




# Raven HDPE Products

Quality – Service – Commitment – Delivered.

## 18x30 Non-Stacking Straight Wall Meter Pit Series RMP1830NSW-W Specifications



Black Exterior  
and  
Bright White Interior



**Manufacture Process:** Sigma-Raven non-stacking straight round wall meter pits are produced using High Density Polyethylene regrind and virgin resins in a series of LAMINATED WALLS with an optional white interior coating. The outer wall is LAMINATED to the interior wall providing greater side load-bearing capacity. When the two walls are laminated together the Molecular Structure (fibers) from each wall are crossed, creating a dual layer of much greater strength and wall thickness. Wall thickness shall be such that when buried, it will support an incidental traffic load as explained with an appropriate traffic rated lid.

**Load Rating:** Meets AASHTO H20 Load rating. Exceeds 20,000 lb vertical load.

**Interior:** Interior shall be Black or optional White.

**Settling:** Non-Stacking Straight Wall Meter Pit shall have an integral flat a settling plate around the base.

**Extension:** Available in many sizes. Cut to grade or angle in field.

**Thermo Flange:** Located 3" from top of pit.

**Base Flange:** Located at the top of mouse hole to reinforce and maintain round base.

**Rings & Lids:** Non-Stacking Straight Wall Meter Pit will accept all standard covers. (also AMR lids).

- Manufactured of High Density Polyethylene in compliance with minimum AASHTO H20 loading.
- This product is designed to withstand minimum H20 loading in non-deliberate or incidental traffic areas such as driveways, parking lots and off-road applications.

