

NUMBER	DESCRIPTION	PAGE
CO 312	Valve Box Type Marked "CO" City of Wilmington	148
CO 344	Ring & Cover 9 3/16" Clear Opening 4" Ring Marked "Clean Out"	149
CO 348	Ring & Cover 9" Clear Opening 6" Ring, Marked "S"	150
CO 349	Ring & Cover 9 1/4 Clear Opening 8" Ring, Marked "S"	151
CO 373S	Valve Box Type Clean Out Marked "Sewer" P-107	152
CO 373W	Valve Box Type Clean Out Marked "Water" P-107	153
CO 762	Ring & Cover 8" Clear Opening 3 3/4 Ring Marked "S" Rev	154



SIGMA CORPORATION

(800) 824-4513
PO Box 519
Alexander City, AL 35011

(800) 738-2956
PO Box 1043
Rockingham, NC 28380

DRAWN BY: RJL DATE: 6/30/2006

**CLEAN OUT
(Wilmington)**

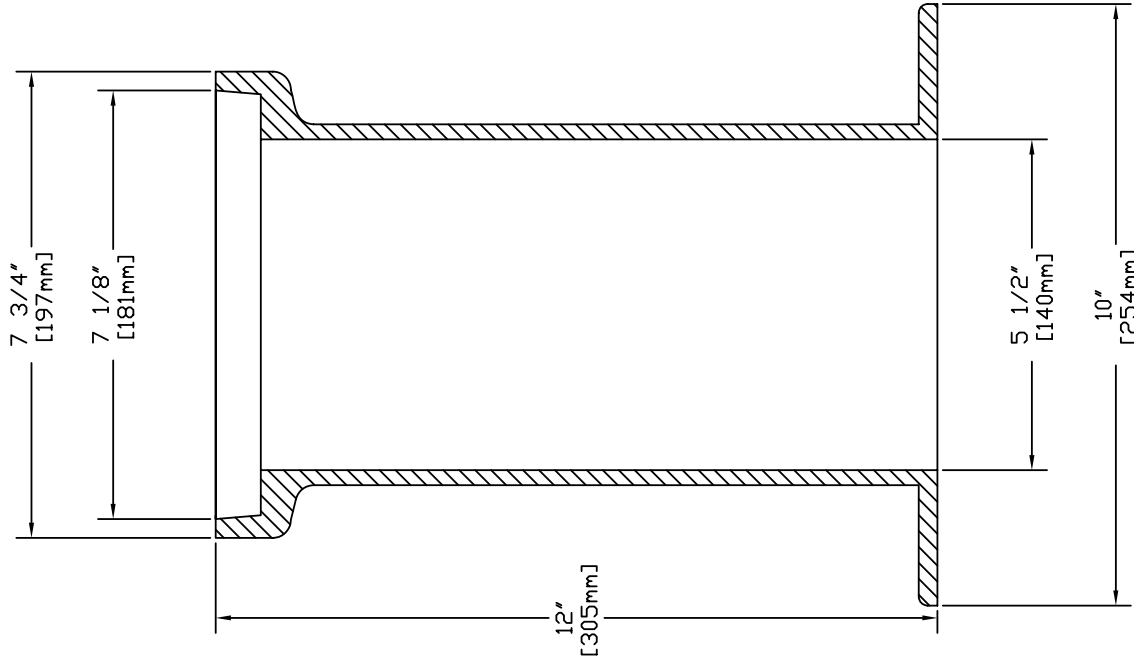
LOAD RATING:
NON-TRAFFIC

MATERIAL SPECIFICATION:
CAST IRON
ASTM A 48 CLASS 30B

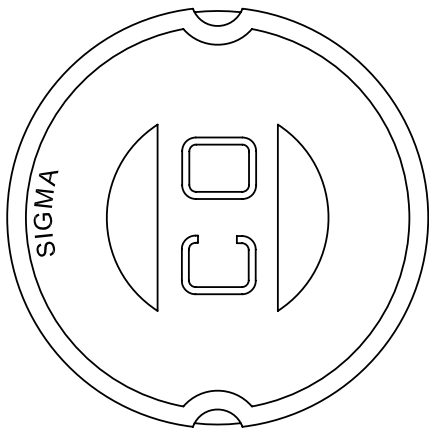
OPEN AREA - SQ. IN.
N/A

CATALOG NUMBER

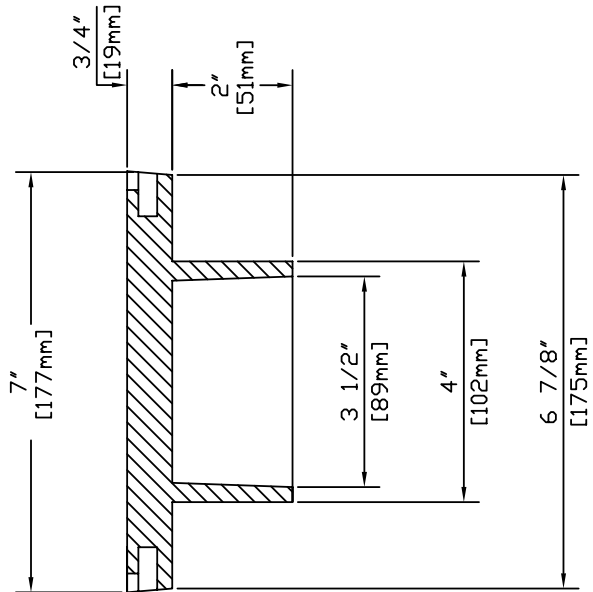
CO-312



FRAME SECTION



COVER FACE



COVER SECTION



SIGMA CORPORATION

(800) 824-4513
PO Box 519
Alexander City, AL 35011

(800) 738-2956
PO Box 1043
Rockingham, NC 28380

DRAWN BY: RJL DATE: 12/23/05

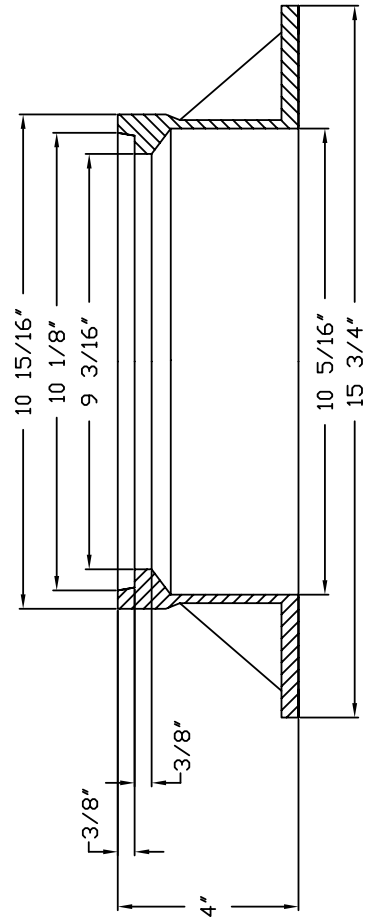
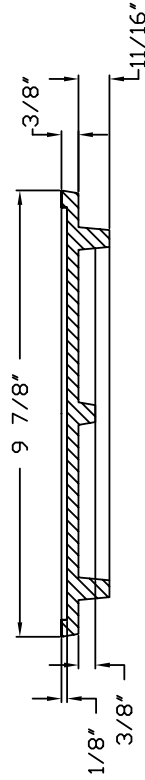
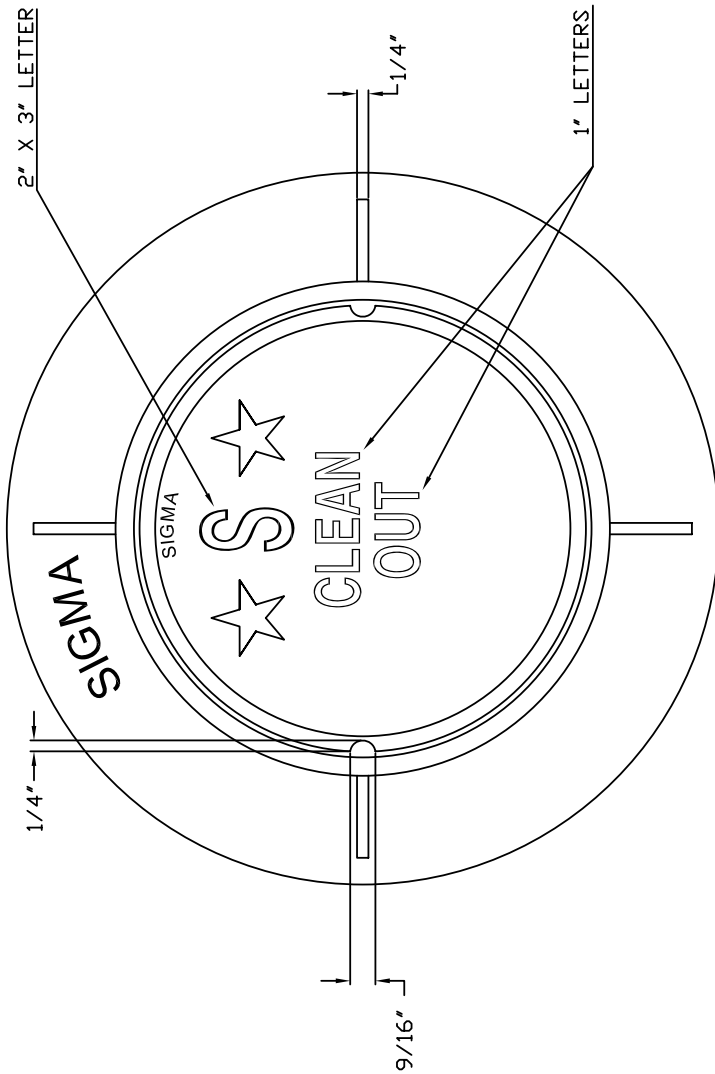
RING & COVER CLEANOUT

LOAD RATING:
Meets H20 Loading Standards
HEAVY DUTY

MATERIAL SPECIFICATION:
CAST IRON
ASTM A 48 CLASS 30B

OPEN AREA - SQ. IN.
N/A

CATALOG NUMBER
CO-344





SIGMA
CORPORATION

(800) 824-4513
PO Box 519
Alexander City, AL 35011

(800) 738-2956
PO Box 1043
Rockingham, NC 28380

DRAWN BY: RJL DATE: 12/23/05

**6" LAMPHOLE
RING & COVER
CLEANOUT**

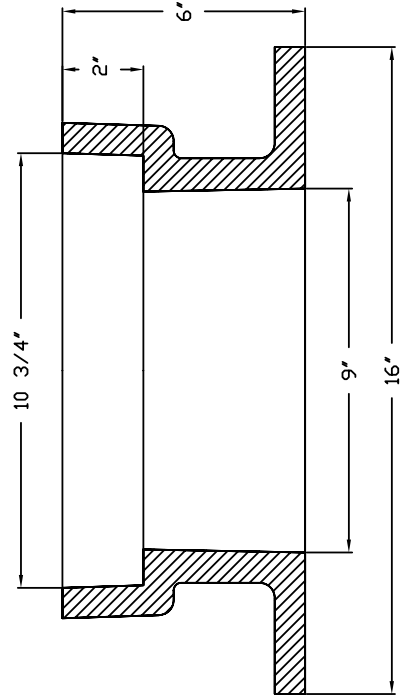
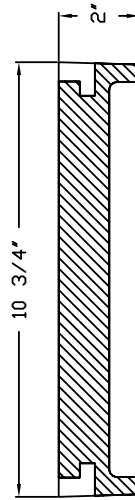
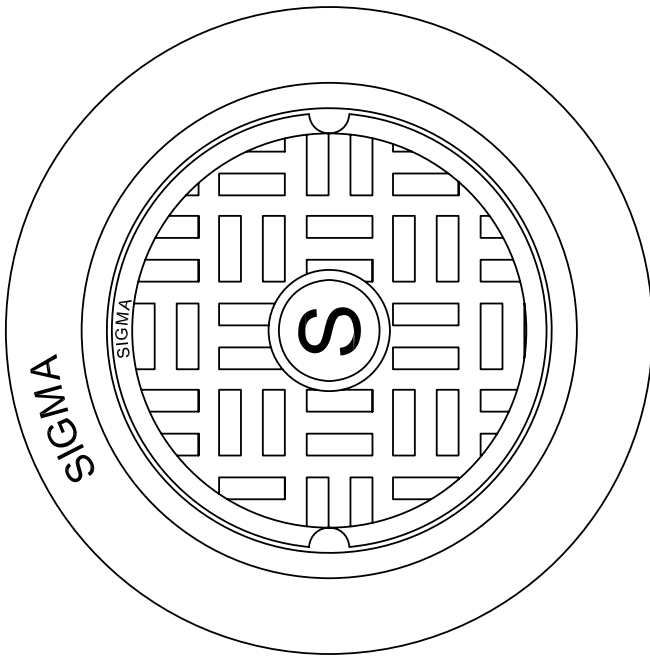
LOAD RATING:
Meets H20 Loading Standards
HEAVY DUTY

MATERIAL SPECIFICATION:
CAST IRON
ASTM A 48 CLASS 30B

OPEN AREA - SQ. IN.
N/A

CATALOG NUMBER

CO-348





SIGMA CORPORATION

(800) 824-4513
PO Box 519
Alexander City, AL 35011

(800) 738-2956
PO Box 1043
Rockingham, NC 28380

DRAWN BY: RJL DATE: 12/23/05

8" LAMPHOLE RING & COVER CLEANOUT

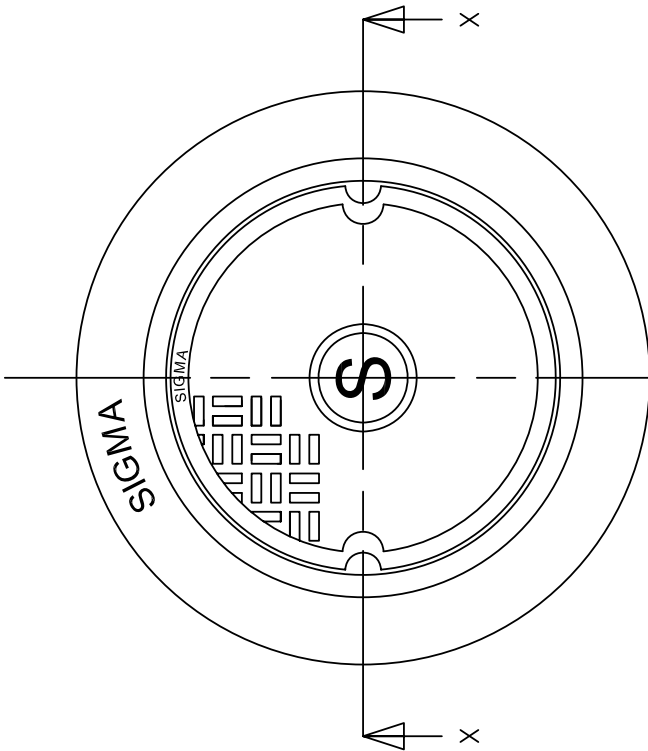
LOAD RATING:
Meets H20 Loading Standards
HEAVY DUTY

MATERIAL SPECIFICATION:
CAST IRON
ASTM A 48 CLASS 30B

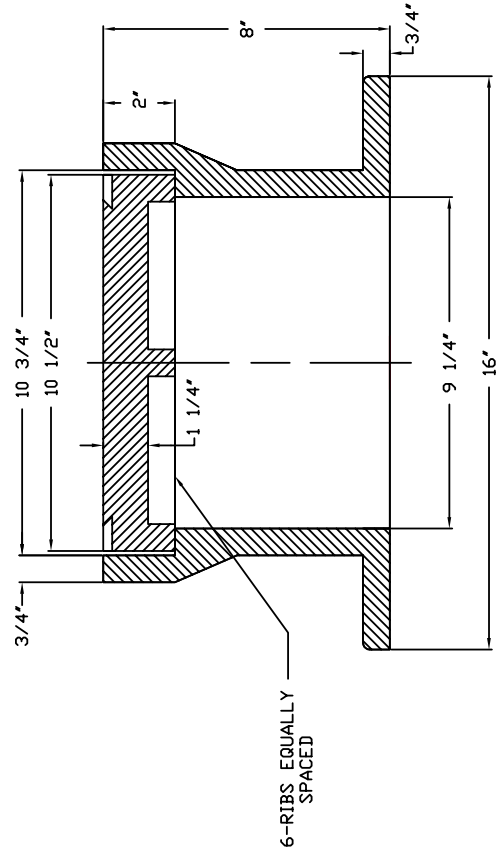
OPEN AREA - SQ. IN.
N/A

CATALOG NUMBER

CO-349



PLAN



SECTION-X-X



SIGMA CORPORATION

(800) 824-4513
PO Box 519
Alexander City, AL 35011

(800) 738-2956
PO Box 1043
Rockingham, NC 28380

DRAWN BY: RJL DATE: 6/30/2006

**CLEAN OUT
(P107)**

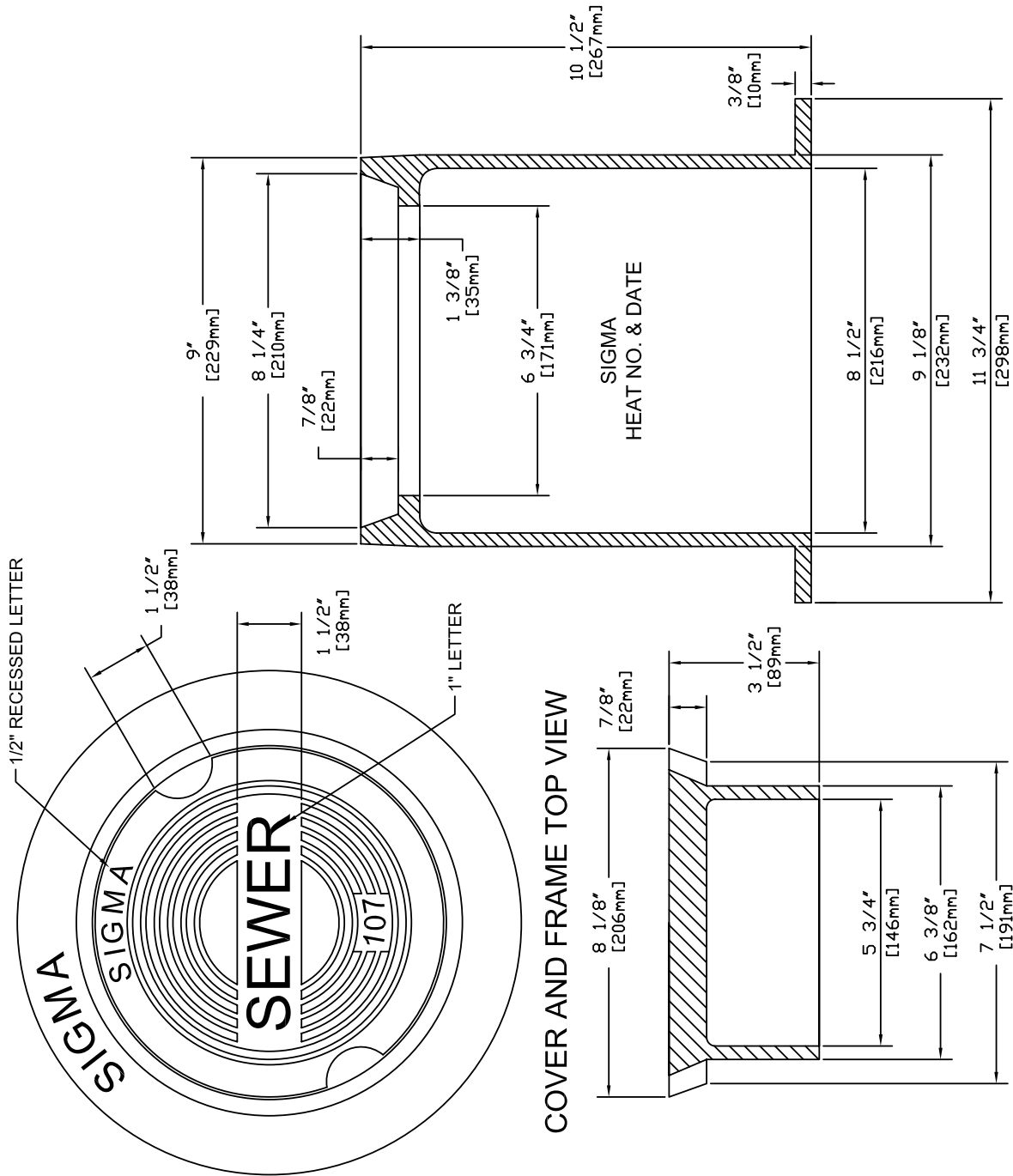
LOAD RATING:
TRAFFIC

MATERIAL SPECIFICATION:
CAST IRON
ASTM A 48 CLASS 30B

OPEN AREA - SQ. IN.
N/A

CATALOG NUMBER

CO-373S





SIGMA CORPORATION

(800) 824-4513
PO Box 519
Alexander City, AL 35011

(800) 738-2956
PO Box 1043
Rockingham, NC 28380

DRAWN BY: RJL DATE: 6/30/2006

**CLEAN OUT
(P107)**

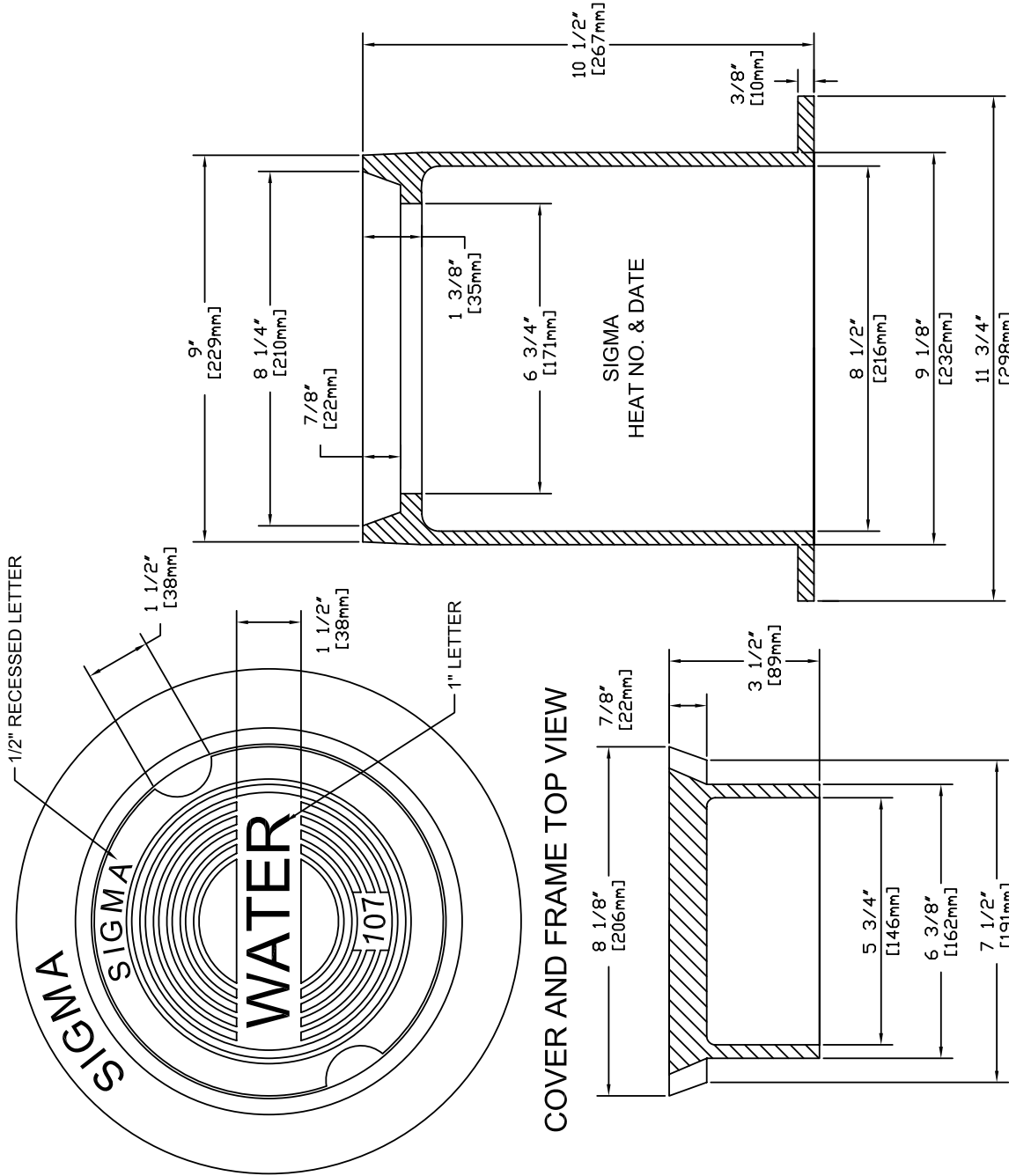
LOAD RATING:
TRAFFIC

MATERIAL SPECIFICATION:
CAST IRON
ASTM A 48 CLASS 30B

OPEN AREA - SQ. IN.
N/A

CATALOG NUMBER

CO-373W



FRAME SECTION

COVER SECTION

COVER AND FRAME TOP VIEW



SIGMA CORPORATION

(800) 824-4513
PO Box 519
Alexander City, AL 35011

(800) 738-2956
PO Box 1043
Rockingham, NC 28380

DRAWN BY: RJL DATE: 12/23/05

**REVERSIBLE
RING & COVER
CLEAN OUT**

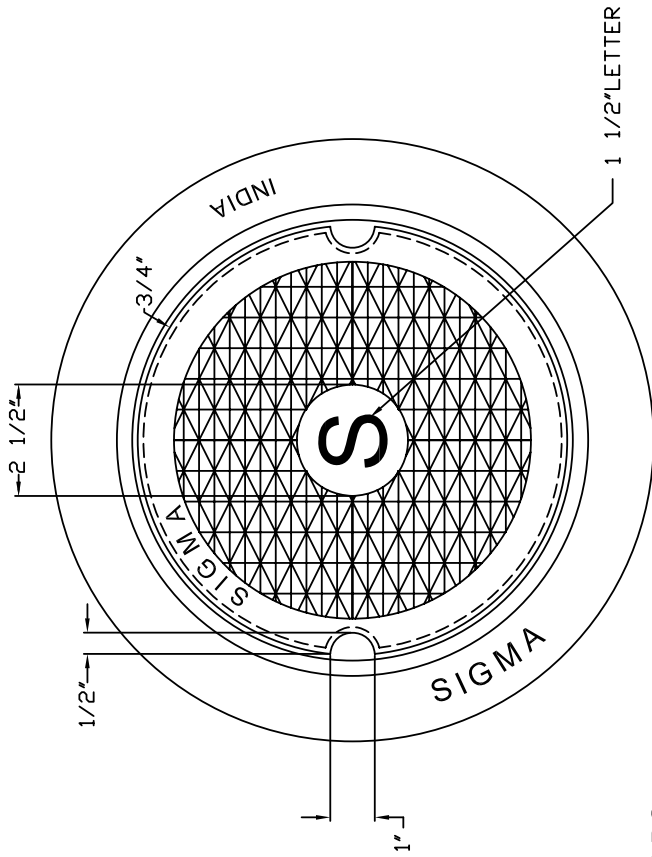
LOAD RATING:
Meets H20 Loading Standards
HEAVY DUTY

MATERIAL SPECIFICATION:
CAST IRON
ASTM A 48 CLASS 30B

OPEN AREA - SQ. IN.
N/A

CATALOG NUMBER

CO-762



RING-23 LBS.
COVER-20 LBS.

