

Utility Manholes 4

NUMBER	DESCRIPTION	PAGE
MH 310 E	Ring & Cover with 22" Clear Opening and 7 1/2" Ring "ELECTRIC"	56
MH 600 C	Ring & Cover with 36" Clear Opening and 6" Ring "COMMUNICATION"	57
MH 600 E	Ring & Cover with 36" Clear Opening and 6" Ring "ELECTRIC"	58
MH 840C-LDH	Ring & Cover W/30" CO Less Drop Hdl, 10" Ring "COMMUNICATION"	59
MH 840E-DH	Ring & Cover W/30" CO With Drop Hdl, 10" Ring "ELECTRIC"	60
MH 840E-LDH	Ring & Cover W/30" CO Less Drop Hdl, 10" Ring "ELECTRIC"	61
MH 840TE-DH	Ring & Cover W/30" CO With Drop Hdl, 10" Ring "TELEPHONE"	62
MH 840TE-LDH	Ring & Cover W/30" CO Less Drop Hdl, 10" Ring "TELEPHONE"	63



SIGMA CORPORATION

(800) 824-4513
PO Box 519
Alexander City, AL 35011

(800) 738-2956
PO Box 1043
Rockingham, NC 28380

DRAWN BY: RJL DATE: 6/19/2006

**RING & COVER
ELECTRIC**

LOAD RATING:
Meets H20 Loading Standards
HEAVY DUTY

MATERIAL SPECIFICATION:
CAST IRON
ASTM A 48 CLASS 30B

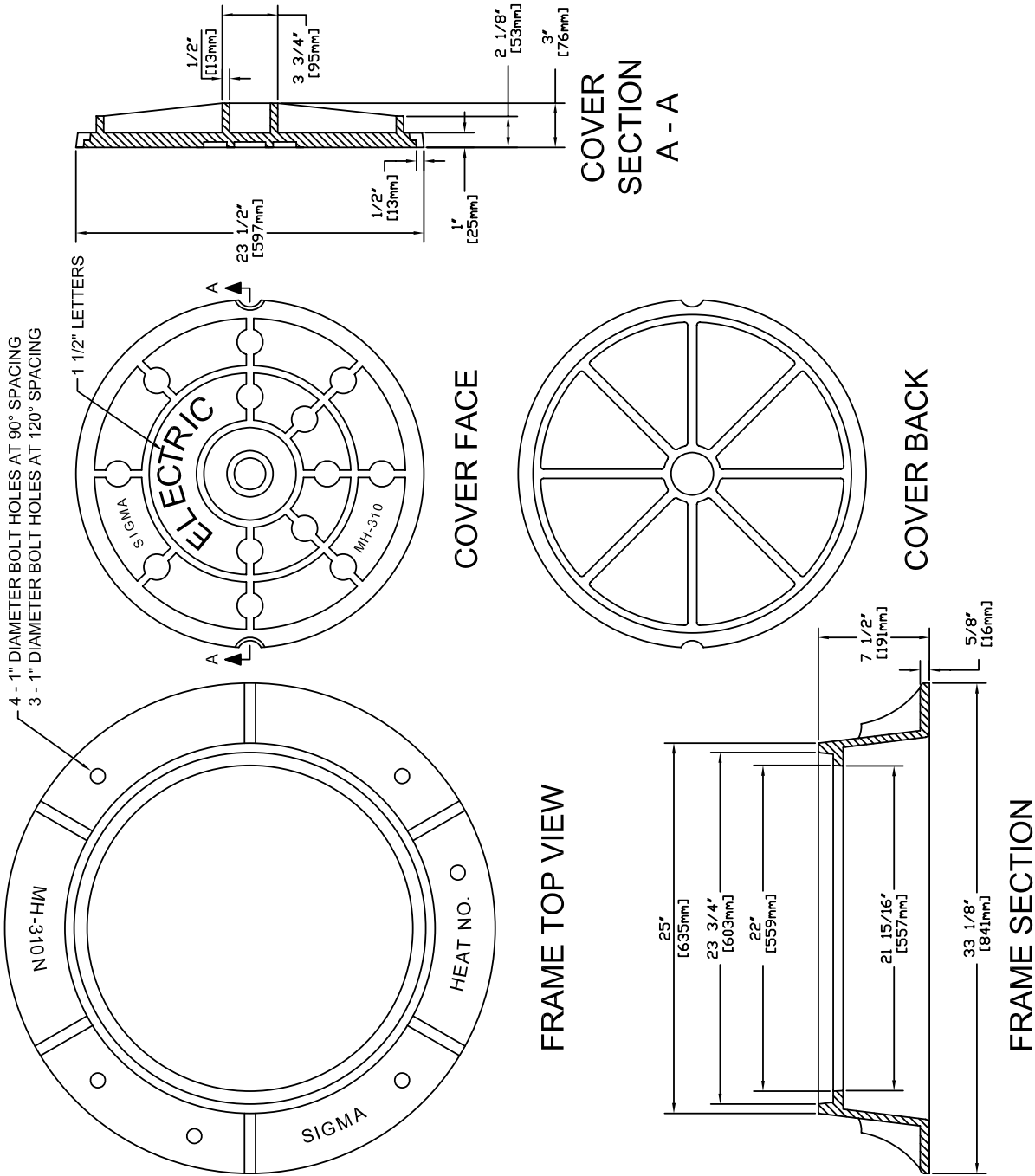
OPEN AREA - SQ. IN.
N/A

ESTIMATED WEIGHT - LB.
280

DRAWING NO. 1010

CATALOG NUMBER

MH-310E





SIGMA CORPORATION

(800) 824-4513
PO Box 519
Alexander City, AL 35011

(800) 738-2956
PO Box 1043
Rockingham, NC 28380

DRAWN BY: RJL DATE: 6/19/2006

**REVERSIBLE
36" MANHOLE
RING & COVER**

LOAD RATING:
Meets H20 Loading Standards
HEAVY DUTY

MATERIAL SPECIFICATION:
CAST IRON
ASTM A 48 **CLASS 35B**

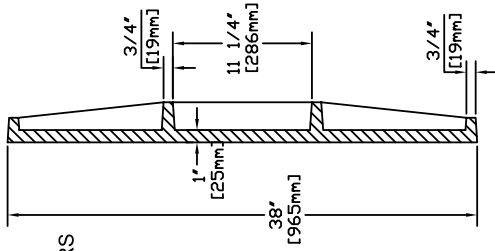
OPEN AREA - SQ. IN.
N/A

ESTIMATED WEIGHT - LB.
680

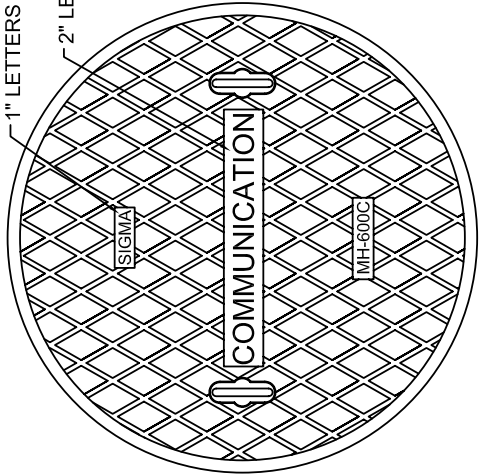
DRAWING NO. 1030

CATALOG NUMBER

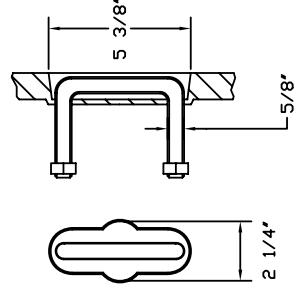
MH-600C



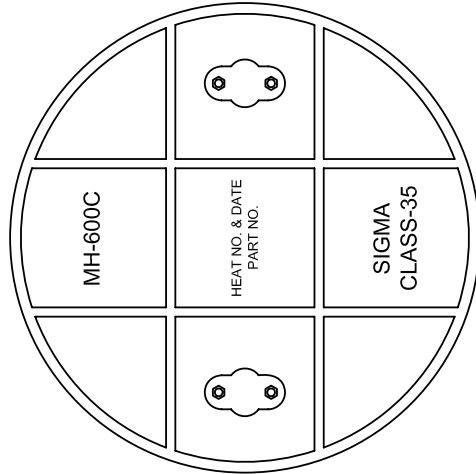
COVER SECTION



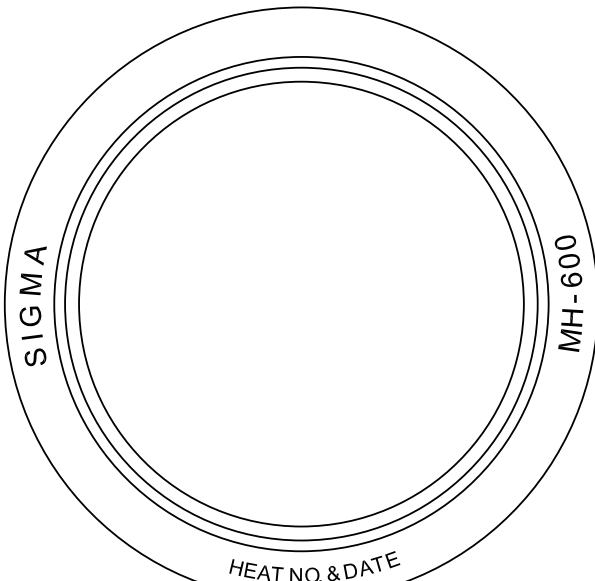
COVER FACE



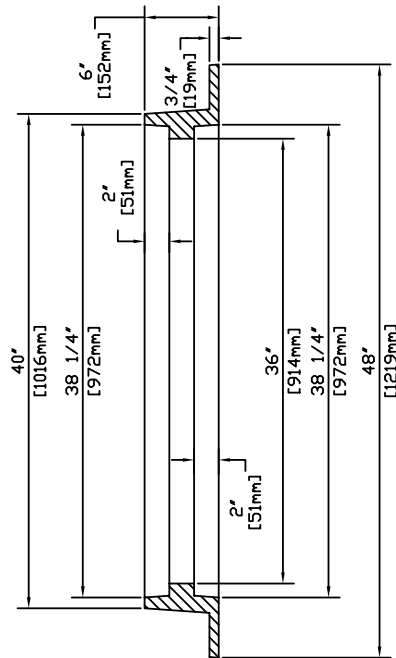
DROP HANDLE
TOP VIEW & DETAIL



COVER BACK



FRAME TOP VIEW



FRAME SECTION



SIGMA CORPORATION

(800) 824-4513
PO Box 519
Alexander City, AL 35011

(800) 738-2956
PO Box 1043
Rockingham, NC 28380

DRAWN BY: RJL DATE: 6/19/2006

**REVERSIBLE
36" MANHOLE
RING & COVER**

LOAD RATING:
Meets H20 Loading Standards
HEAVY DUTY

MATERIAL SPECIFICATION:
CAST IRON
ASTM A 48 **CLASS 35B**

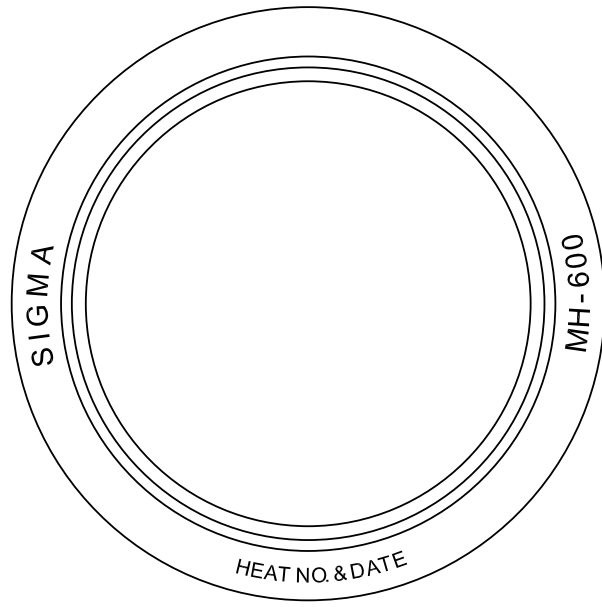
OPEN AREA - SQ. IN.
N/A

ESTIMATED WEIGHT - LB.
680

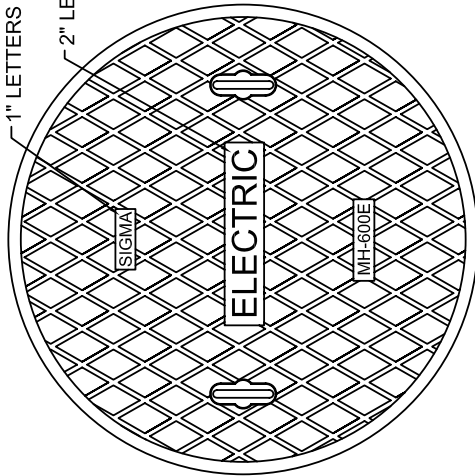
DRAWING NO. 1030

CATALOG NUMBER

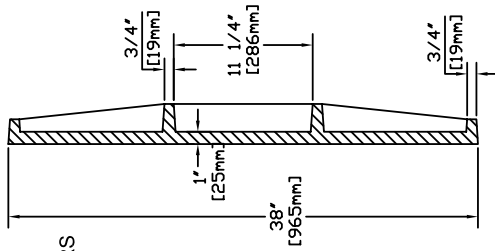
MH-600E



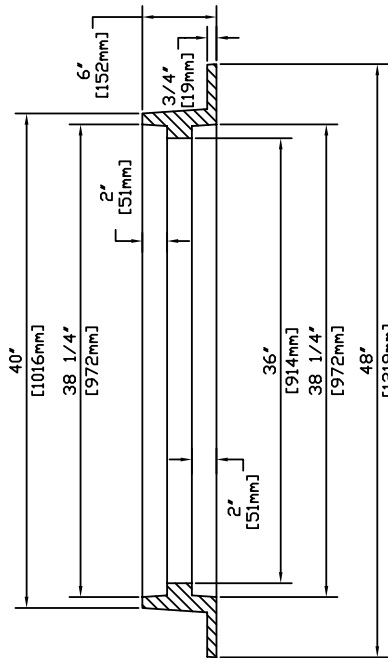
FRAME TOP VIEW



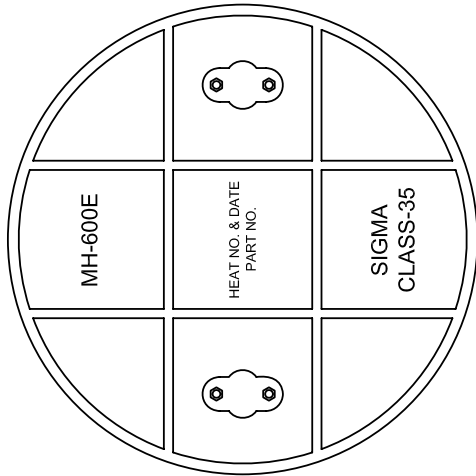
COVER FACE



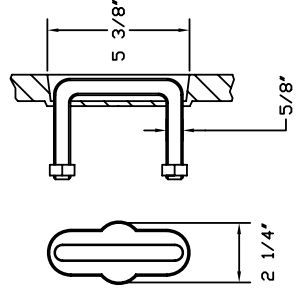
COVER SECTION



FRAME SECTION



COVER BACK



DROP HANDLE
TOP VIEW & DETAIL



SIGMA CORPORATION

(800) 824-4513
PO Box 519
Alexander City, AL 35011

(800) 738-2956
PO Box 1043
Rockingham, NC 28380

DRAWN BY: RJL DATE: 6/19/2006

RING & COVER

LOAD RATING:
Meets H20 Loading Standards
HEAVY DUTY

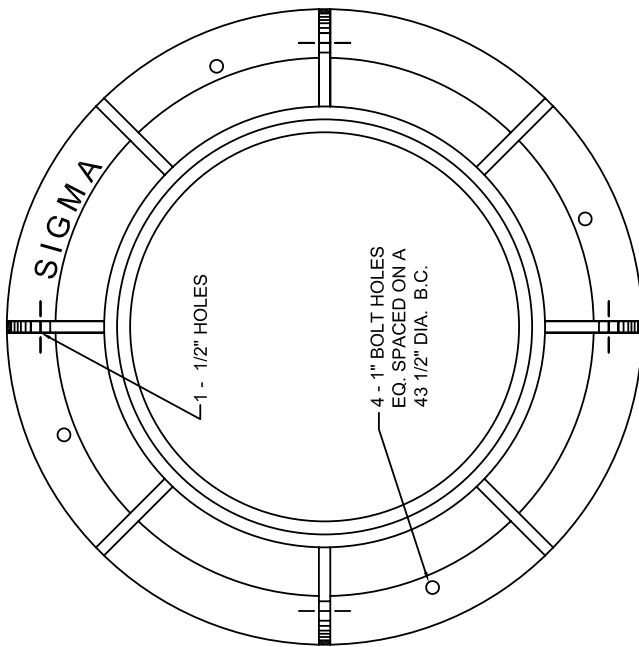
MATERIAL SPECIFICATION:
CAST IRON
ASTM A 48 CLASS 30B

OPEN AREA - SQ. IN.
N/A

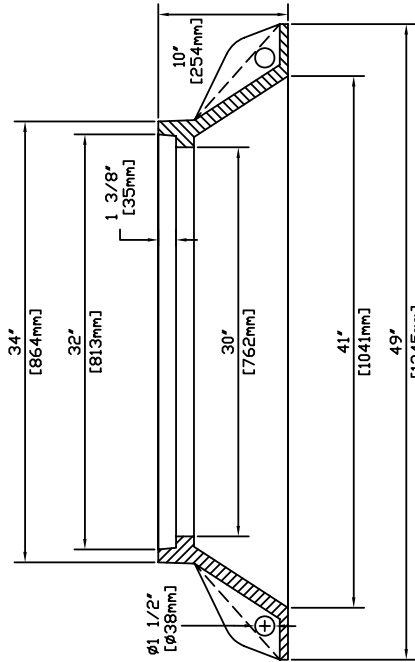
ESTIMATED WEIGHT - LB.
660

CATALOG NUMBER

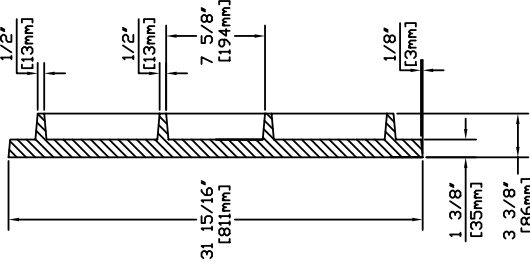
MH-840C-LDH



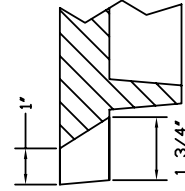
FRAME TOP VIEW



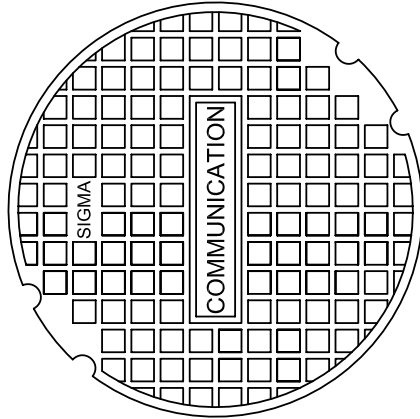
FRAME SECTION



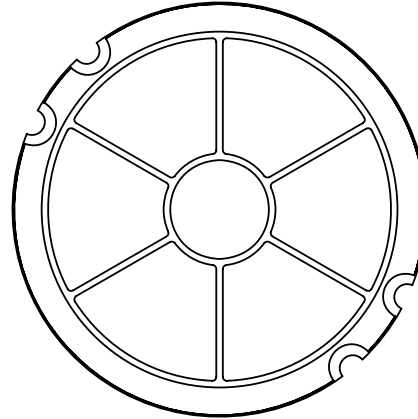
COVER SECTION



PICK SLOT
DETAIL



COVER FACE



COVER BACK



SIGMA CORPORATION

(800) 824-4513
PO Box 519
Alexander City, AL 35011

(800) 738-2956
PO Box 1043
Rockingham, NC 28380

DRAWN BY: REC DATE: 6/19/2006

RING & COVER

LOAD RATING:
Meets H20 Loading Standards
HEAVY DUTY

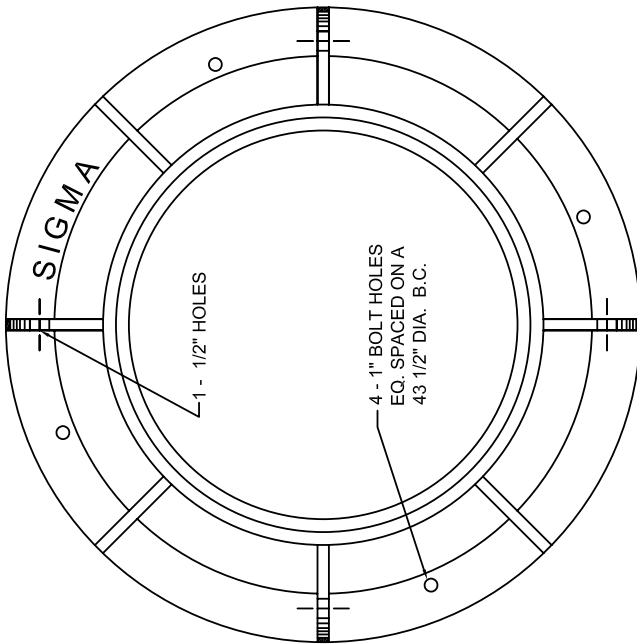
MATERIAL SPECIFICATION:
CAST IRON
ASTM A 48 CLASS 30B

OPEN AREA - SQ. IN.
N/A

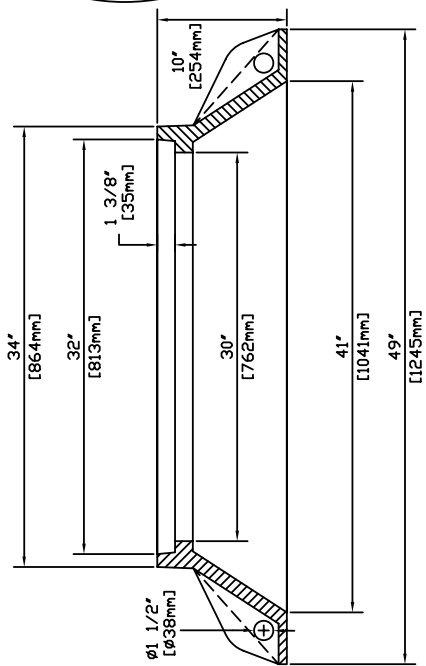
ESTIMATED WEIGHT - LB.
660

CATALOG NUMBER

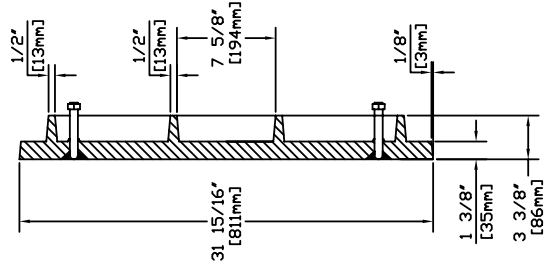
MH-840E-DH



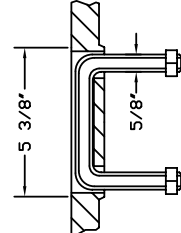
FRAME TOP VIEW



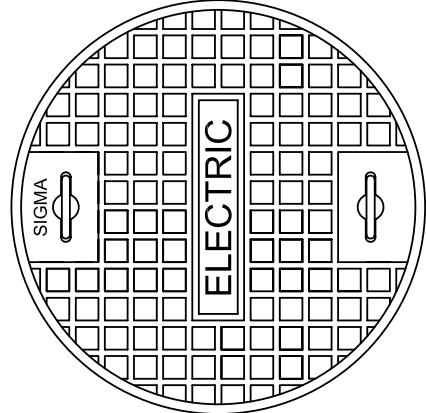
FRAME SECTION



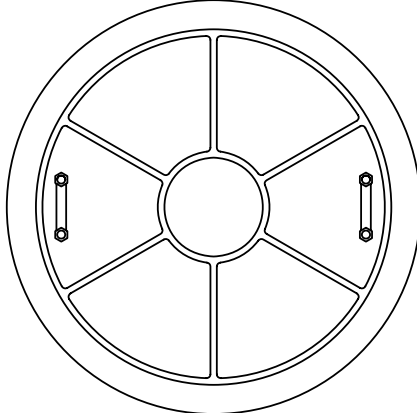
COVER SECTION



DROP HANDLE DETAIL



COVER FACE



COVER BACK



SIGMA CORPORATION

(800) 824-4513
PO Box 519
Alexander City, AL 35011

(800) 738-2956
PO Box 1043
Rockingham, NC 28380

DRAWN BY: RJL DATE: 6/19/2006

RING & COVER

LOAD RATING:
Meets H20 Loading Standards
HEAVY DUTY

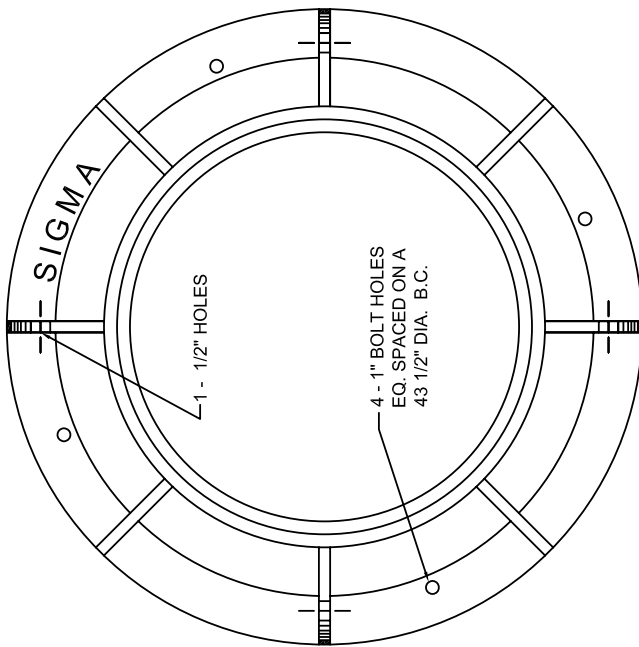
MATERIAL SPECIFICATION:
CAST IRON
ASTM A 48 CLASS 30B

OPEN AREA - SQ. IN.
N/A

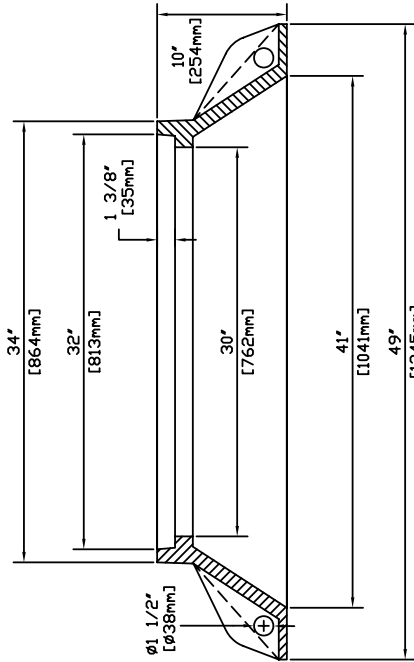
ESTIMATED WEIGHT - LB.
660

CATALOG NUMBER

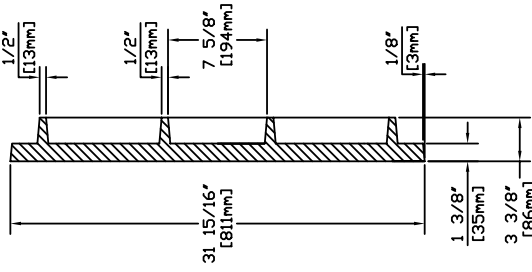
MH-840E-LDH



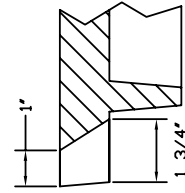
FRAME TOP VIEW



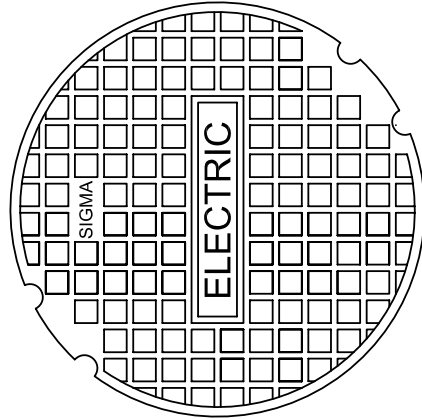
FRAME SECTION



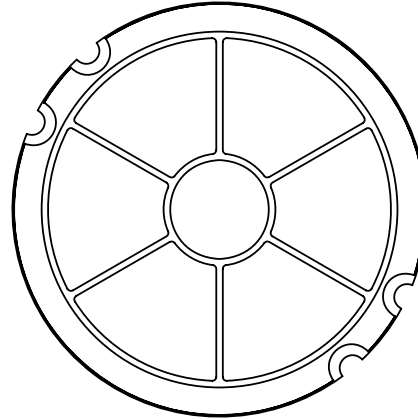
COVER SECTION



PICK SLOT
DETAIL



COVER FACE



COVER BACK



SIGMA CORPORATION

(800) 824-4513
PO Box 519
Alexander City, AL 35011

(800) 738-2956
PO Box 1043
Rockingham, NC 28380

DRAWN BY: RJL DATE: 6/19/2006

RING & COVER

LOAD RATING:
Meets H20 Loading Standards
HEAVY DUTY

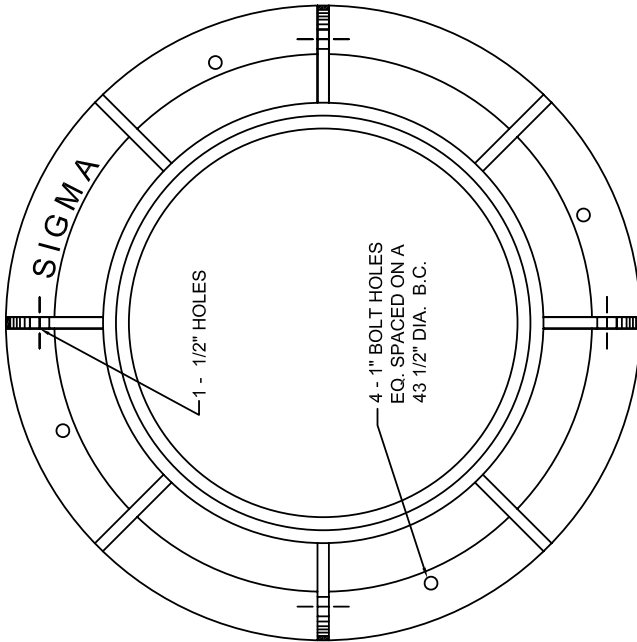
MATERIAL SPECIFICATION:
CAST IRON
ASTM A 48 CLASS 30B

OPEN AREA - SQ. IN.
N/A

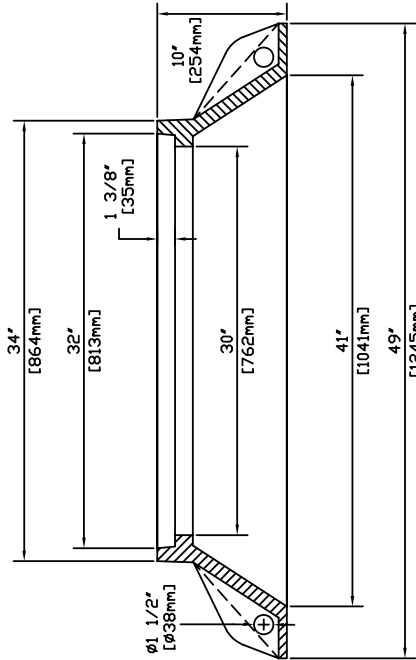
ESTIMATED WEIGHT - LB.
660

CATALOG NUMBER

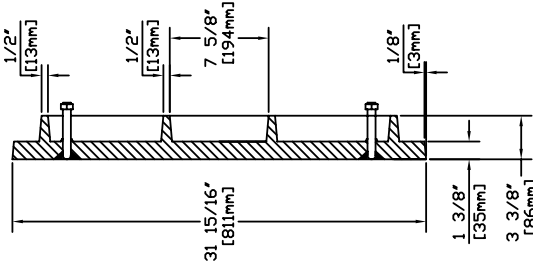
MH-840TE-DH



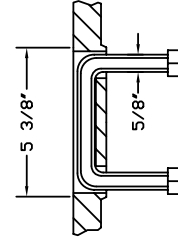
FRAME TOP VIEW



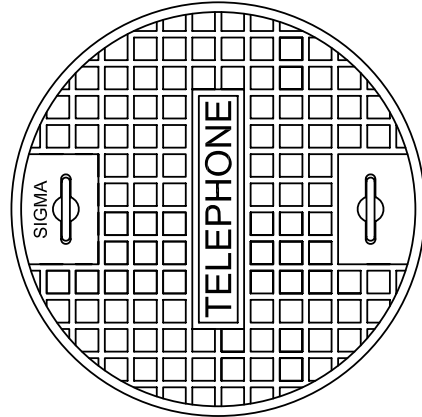
FRAME SECTION



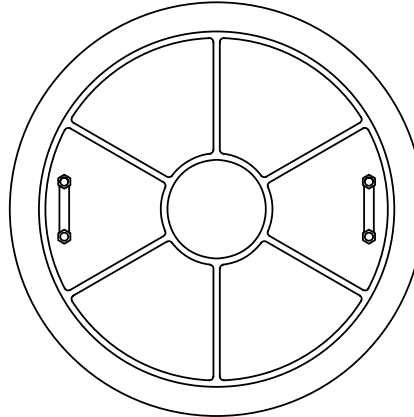
COVER SECTION



DROP HANDLE DETAIL



COVER FACE



COVER BACK



SIGMA CORPORATION

(800) 824-4513
PO Box 519
Alexander City, AL 35011

(800) 738-2956
PO Box 1043
Rockingham, NC 28380

DRAWN BY: RJL DATE: 6/19/2006

RING & COVER

LOAD RATING:
Meets H20 Loading Standards
HEAVY DUTY

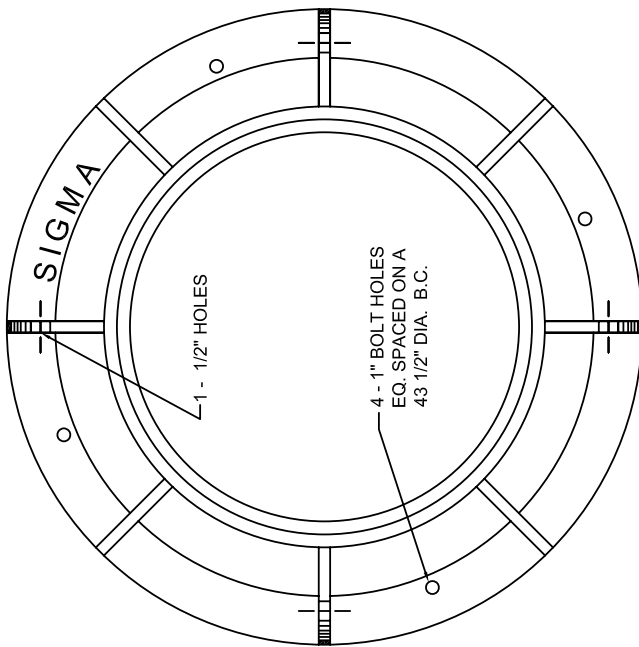
MATERIAL SPECIFICATION:
CAST IRON
ASTM A 48 CLASS 30B

OPEN AREA - SQ. IN.
N/A

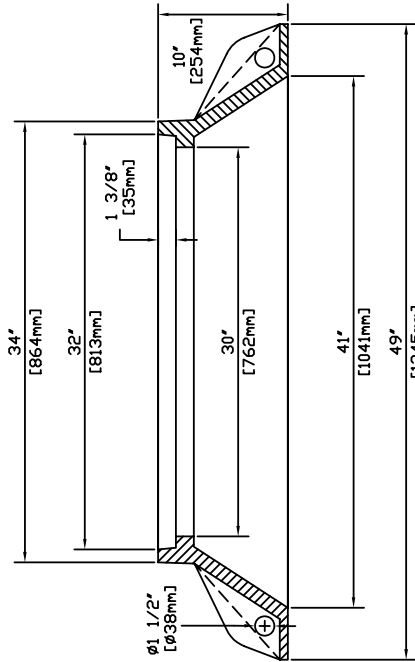
ESTIMATED WEIGHT - LB.
660

CATALOG NUMBER

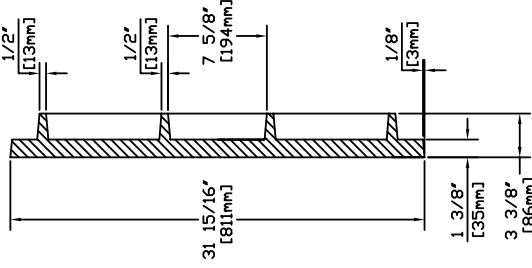
MH-840TE-LDH



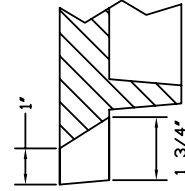
FRAME TOP VIEW



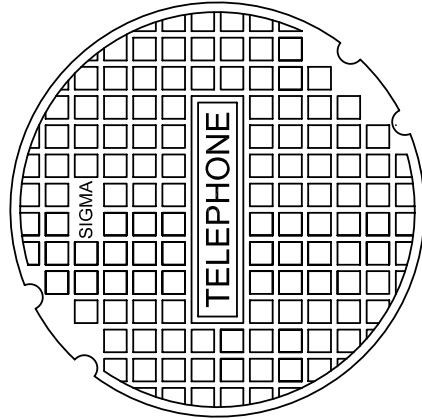
FRAME SECTION



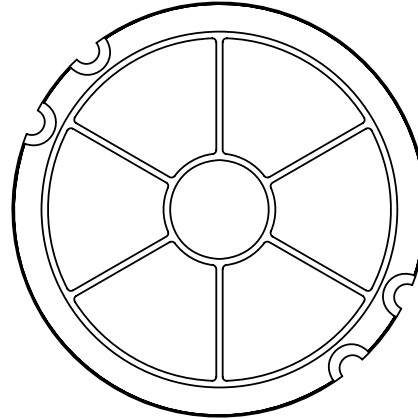
COVER SECTION



PICK SLOT
DETAIL



COVER FACE



COVER BACK

