

Meter Boxes - Index

Item Number	Description	Page
MB140	RND 18" RING W/LC523 LID	MB3
MB141	RND 18" R & LID W/LOCK (12-3/4")	MB3
MB142	RND 21"R & LID W/LOCK (12-3/4")	MB4
MB143	RND 24" R& LID W/LOCK (12-3/4")	MB4
MB144	RND 24" R& LID W/LOCK (20")	MB5
MB145	RND 28" R & LID W/LOCK (12-3/4")	MB5
MB146	RND 30" R & LID W/LOCK (20")	MB6
MB147	RND 36" R & LID W/LOCK (20")	MB6
MB147TT-35	RND 36" TULSA R & LID W/LOCK (28")	MB7
MB161TT-35	RND 18" TULSA R & LID W/LOCK/AMR (12-3/4")	MB7
MB161	RND 18" R & LID W/LOCK (12-3/4")	MB8
MB162	RND 28" R & LID W/LOCK (12-3/4")	MB8
MB162TT-35	RND 28" TULSA R & LID W/LOCK (20")	MB8
MB163	RND 24" R & LID W/LOCK (12-3/4")	MB9
MB163TT-35	RND 24" COT MBX	MB9
MB164	RND 24" R & LID W/LOCK (20")	MB10
MB166	OVAL 17-1/2 X 11-1/4 X 9 1/2 MBX W/LOCK	MB10
MB1671H-35	HARLINGEN 17-1/2 X 11-1/4 X 9 1/2 OVAL MBX	MB10
MB167	17-1/2 X 11-1/4 X 9 1/2 OVAL MBX	MB10
MB168	RND 18" Meter tile ring & Cvr	MB11
MB169T	WICHITA 21" R & LID W/AMR	MB11
MB170	SAN ANTONIO OVAL MBX 3PC	MB11
MB172	AUSTIN 18" R & LID W/LOCK (12-34")	MB12
MB174	AUSTIN 24" R & LID W/LOCK (19")	MB12
MB1781	RECT 12" X 18" MBX	MB12
MB1782	RECT 15" X 25" MBX	MB12
MB1783	RECT 30" X 15" MBX	MB13
MB1824	18X24 MB ADAPTER RING	MB13
MB1830	18X30 MB ADAPTER RING	MB13
MB1836	18X36 MB ADAPTER RING	MB13
MB2036	20X36 MB ADAPTER RING	MB13
MB2801	HARPER OVAL METER BOX LID	MB14
MB281	OVAL NEW ORLEANS MBX	MB14
MB282	10"X19"X10" ROME METER BOX	MB14
MB285	20" R & LID (12")	MB14
MB286	18" R & LID (12-1/2")	MB15
MB286T	18" R & LID W/AMR (12-1/2")	MB15
MB382	OVAL 10"X19"X12" MBX	MB15
MB385	RND AMARILLO MBX R & LID	MB15
MB387	PANAMA BOX OR YOKE MBX	MB16
MB388	OVAL 10"X19"X18" MBX	MB16
MB51B	18"x18" TALL "DALLAS" WHITE MBX	MB16
MB61A	18"X14" TALL CORR CAN W/CI CVR	MB17
MB61B	18"X18" TALL CORR CAN W/CI CVR	MB17
MB61C	18"X24" TALL CORR CAN W/CI CVR	MB17



Meter Boxes - Index

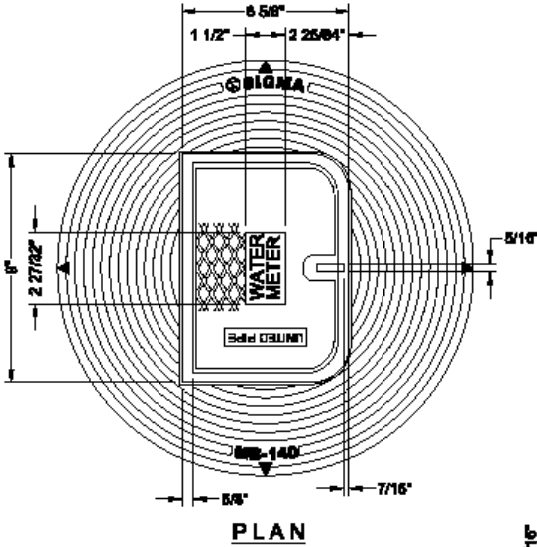
Item Number	Description	Page
MB61D	18"X30" TALL CORR CAN W/CI CVR	MB17
MB61E	18"X36" TALL CORR CAN W/CI CVR	MB17
MB62A	28"X14" TALL CORR CAN W/CI CVR	MB17
MB62B	28"X18" TALL CORR CAN W/CI CVR	MB17
MB62C	28"X24" TALL CORR CAN W/CI CVR	MB17
MB62D	28"X30" TALL CORR CAN W/CI CVR	MB17
MB62E	28"X36" TALL CORR CAN W/CI CVR	MB17
MB632A	18" R & LID WITH PENTAGON LOCK	MB17
MB632C	18" R & LID WITH PENTAGON LOCK	MB18
MB632X	18" R & LID WITH PENTAGON LOCK	MB18
MB64A	24"X14" TALL CORR CAN W/CI CVR	MB19
MB64B	24"X18" TALL CORR CAN W/CI CVR	MB19
MB64C	24"X24" TALL CORR CAN W/CI CVR	MB19
MB64D	24"X30" TALL CORR CAN W/CI CVR	MB19
MB64E	24"X36" TALL CORR CAN W/CI CVR	MB19
MB65C	36"X24" TALL CORR CAN W/CI CVR	MB19
MB65D	36"X30" TALL CORR CAN W/CI CVR	MB19
MB65E	36"X36" TALL CORR CAN W/CI CVR	MB19
MB65F	36"X48" TALL CORR CAN W/CI CVR	MB19
MB65G	36"X60" TALL CORR CAN W/CI CVR	MB19
MB65H	36"X72" TALL CORR CAN W/CI CVR	MB19
MB72P	AUSTIN W-80 SGLE PL. MBX W/LID	MB20
MB74P	AUSTIN R-65 DOUBLE PL MBX W/LID	MB20
MB75P	AUSTIN R-65 2" PL MBX W/LID	MB20
MBP61A	18"X14" PLSTC MTR CAN W/CI CVR	MB20
MBP61C	18"X24" PLSTC MTR CAN W/CI CVR	MB20
MBP61D	18"X30" PLSTC MTR CAN W/CI CVR	MB20
MBP63A	24"X14" PLSTC MTR CAN W/CI CVR	MB21
MBP64B	24"X18" PLSTC MTR CAN W/CI CVR	MB21
MBSW3	20" DOUBLE LID R & LID W/LOCK	MB21
MBSW32	18" DOUBLE LID R & LID W/LOCK	MB21
MB288-35	NEW MEXICO 3-1/2" HIGH MBX	MB22
LC217	15" SOLID FLAT LID	MB22
LC218	18" SOLID FLAT LID	MB23
LC520	18" FLAT LID 7-1/4" READER LID	MB23
LC521	24" FLAT LID 7-1/4" READER LID	MB24

Meter Boxes/Frames & Covers

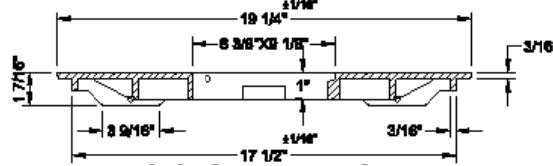
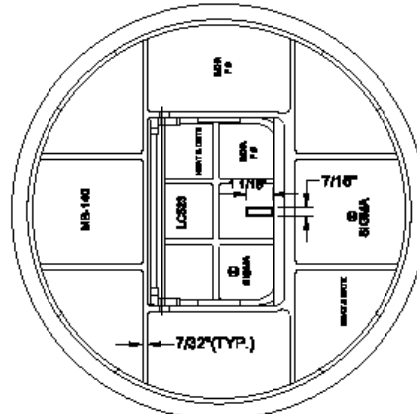
Municipal

CASTING

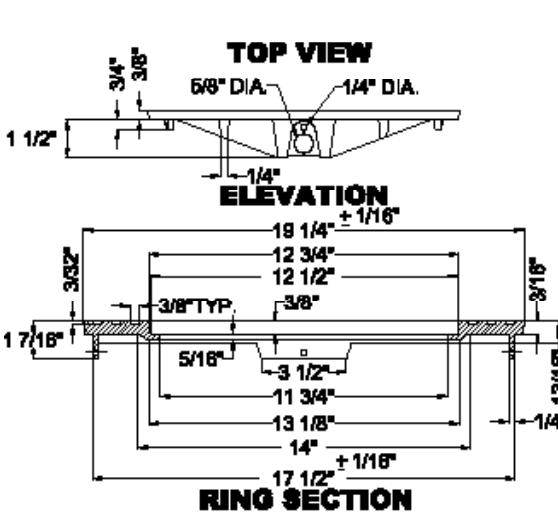
MB140



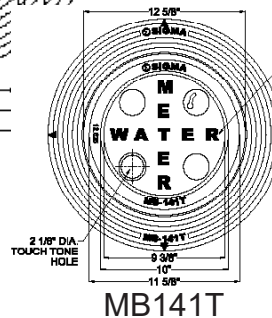
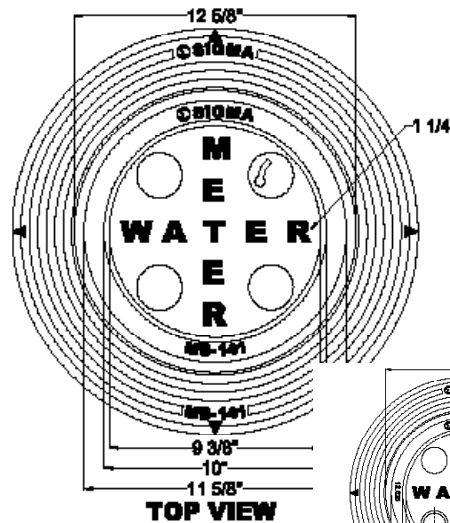
Weight: 24 lbs



MB141



Weight: 30 lbs



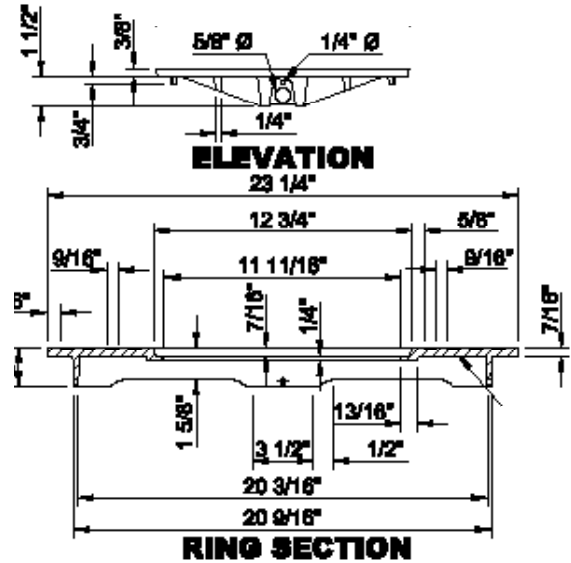
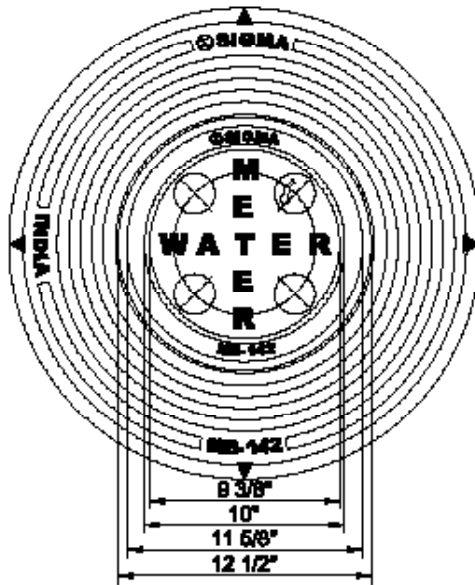


Municipal

Meter Boxes/Frames & Covers

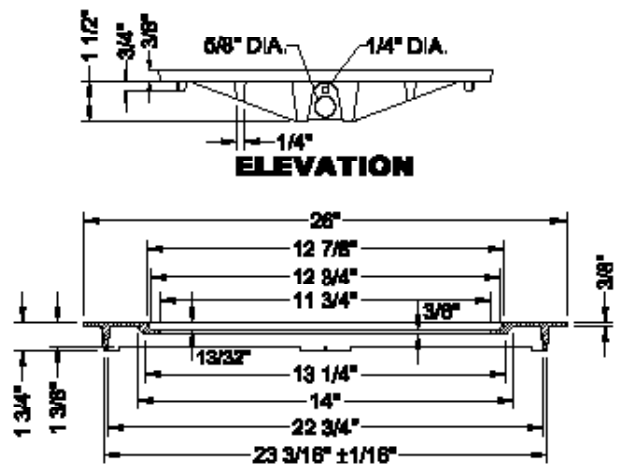
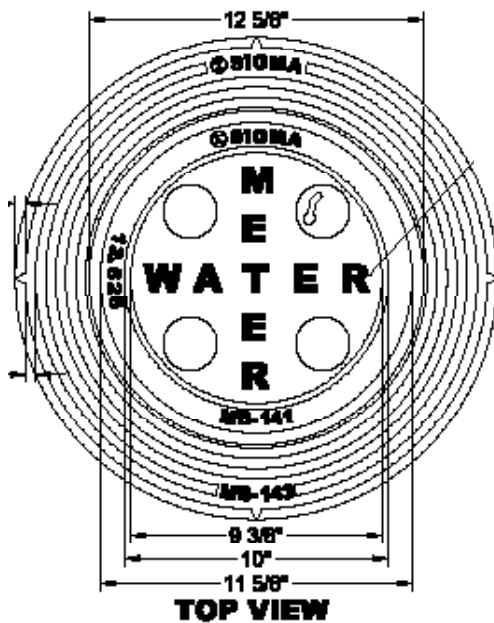
C
A
S
T
I
N
G
S

MB142



Weight: 50 lbs

MB143

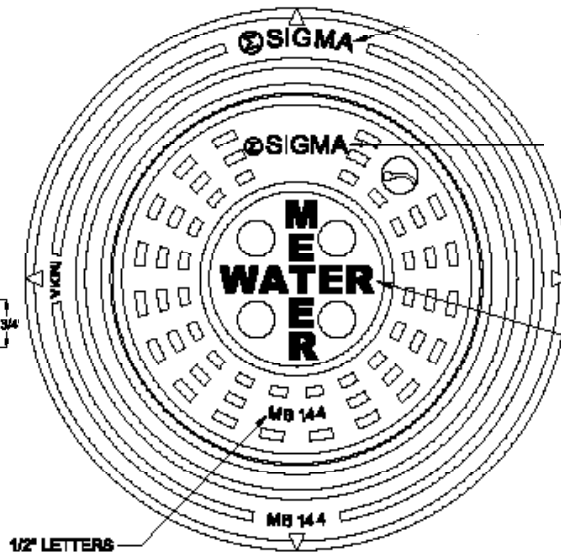
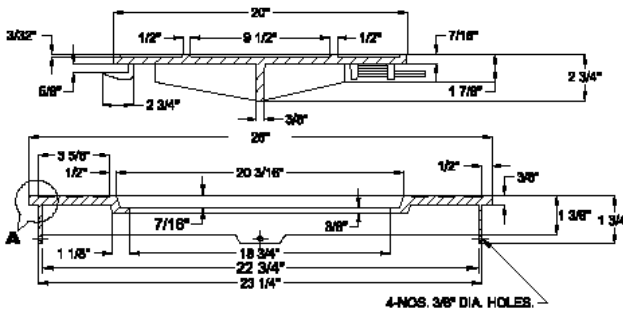


Weight: 54 lbs

Meter Boxes/Frames & Covers

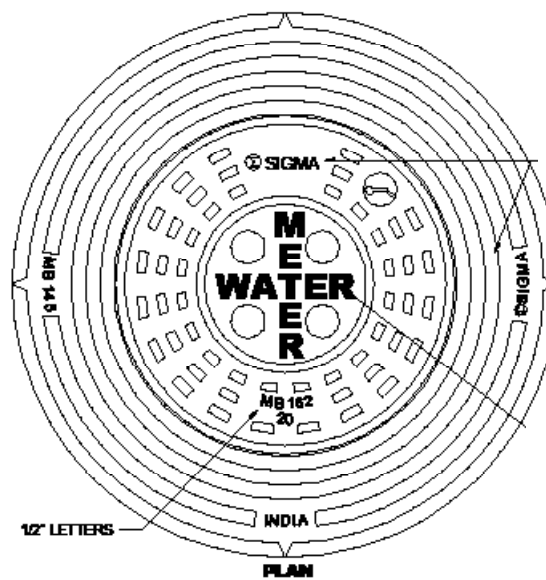
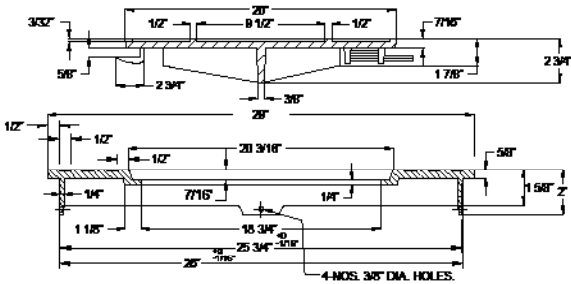
Municipal

MB144



Weight: 68 lbs

MB145



Weight: 87 lbs

C
A
S
T
I
N
G
S

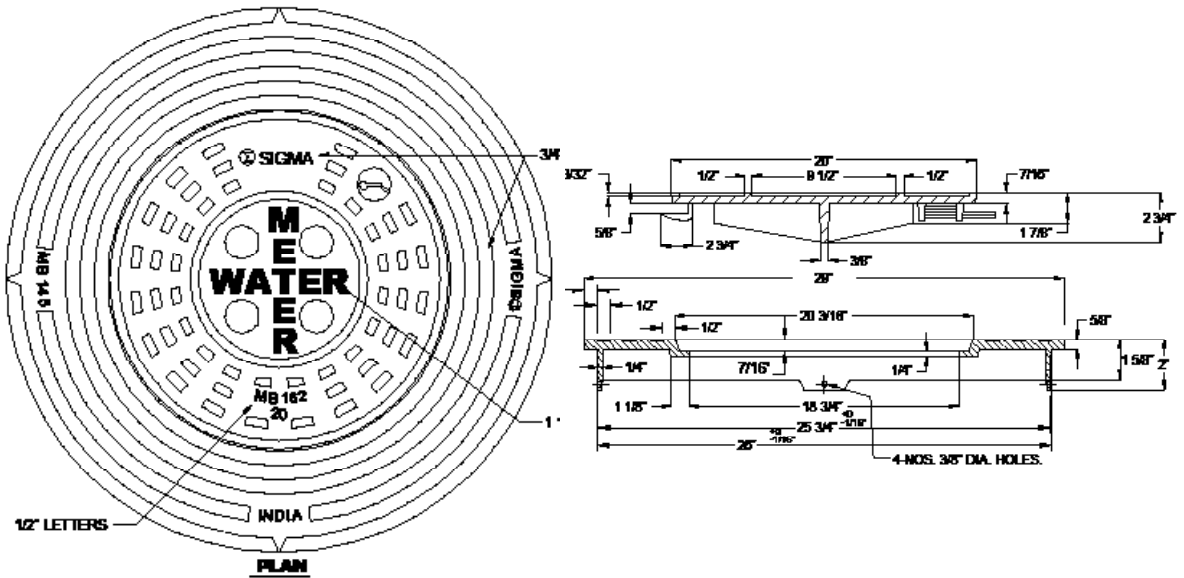


Municipal

Meter Boxes/Frames & Covers

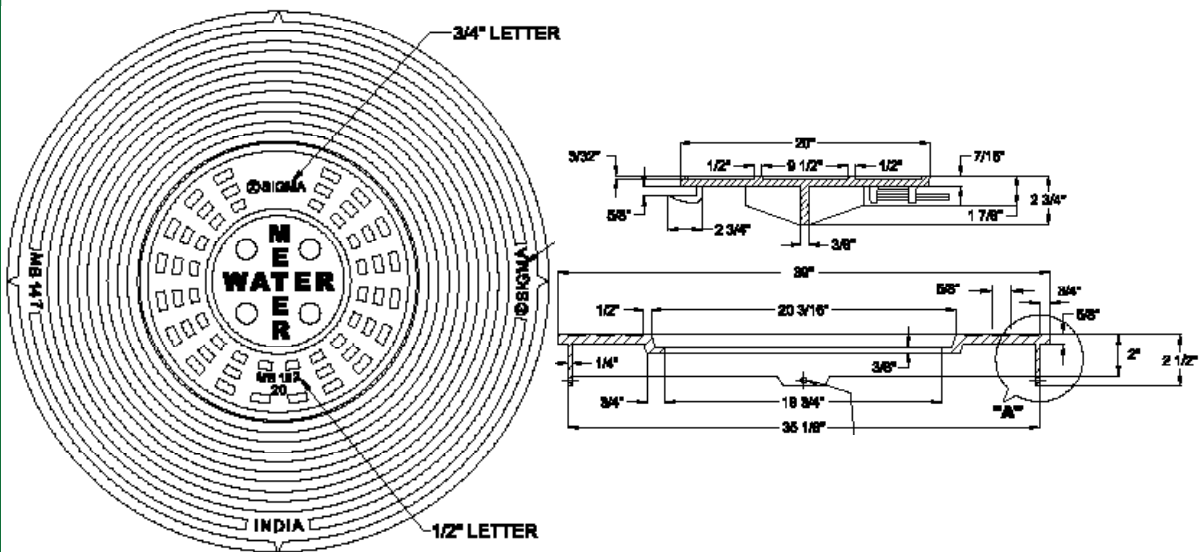
C
A
S
T
I
N
G
S

MB146



Weight: 109 lbs

MB147



Weight: 158 lbs

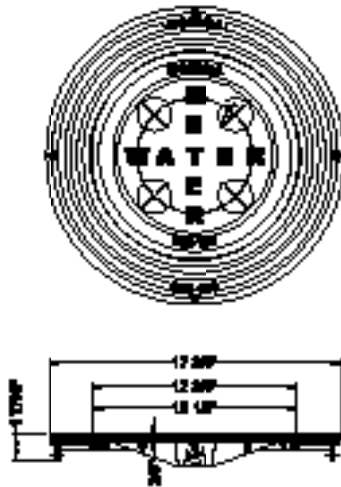


Municipal

Meter Boxes/Frames & Covers

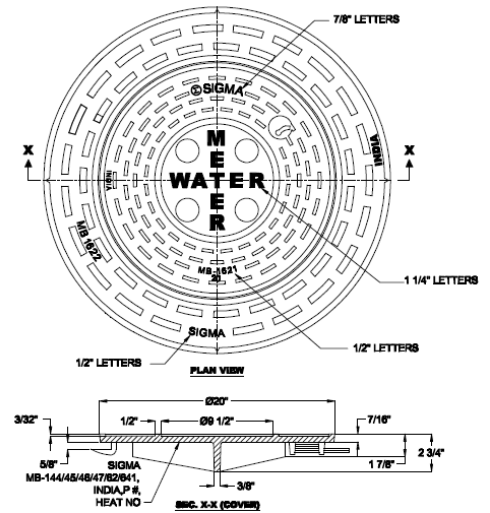
C
A
S
T
I
N
G
S

MB161



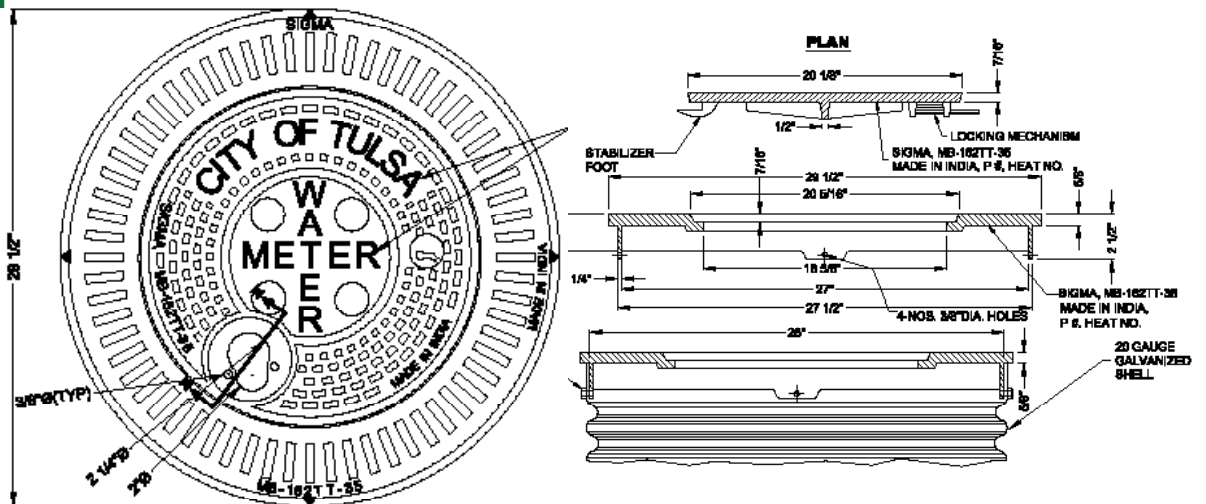
Weight: 25 lbs.

MB162



Weight: 87 lbs.

MB162TT-35 (City of Tulsa)

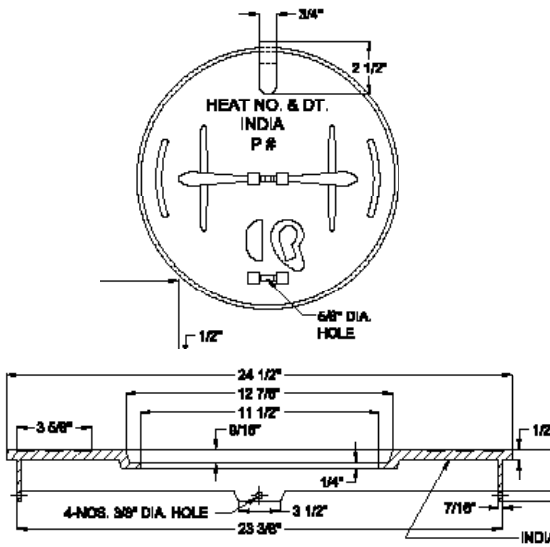


Weight: 102 lbs

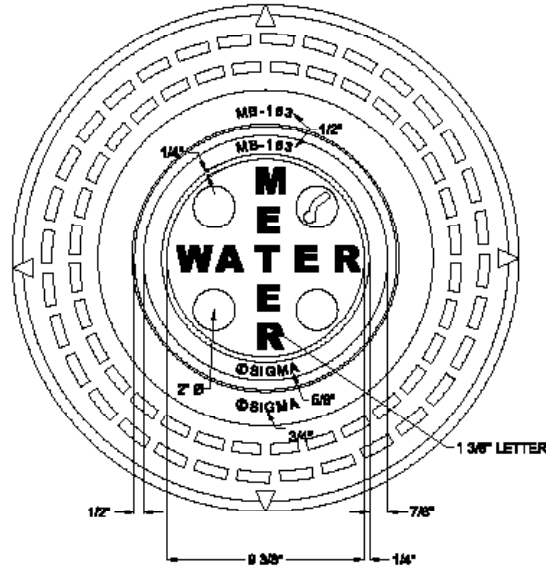
Meter Boxes/Frames & Covers

Municipal

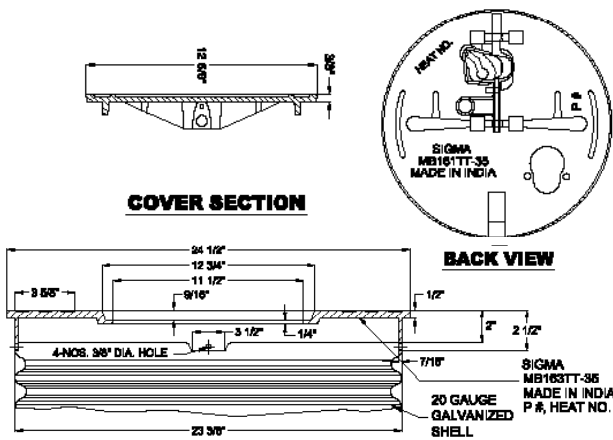
MB163



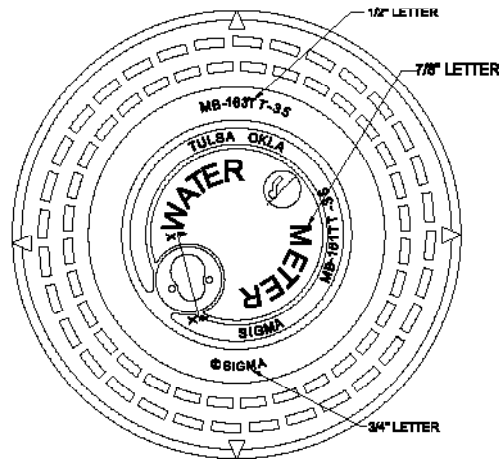
Weight: 65 lbs



MB163TT-35 (City of Tulsa)



Weight: 65 lbs



C
A
S
T
I
N
G
S

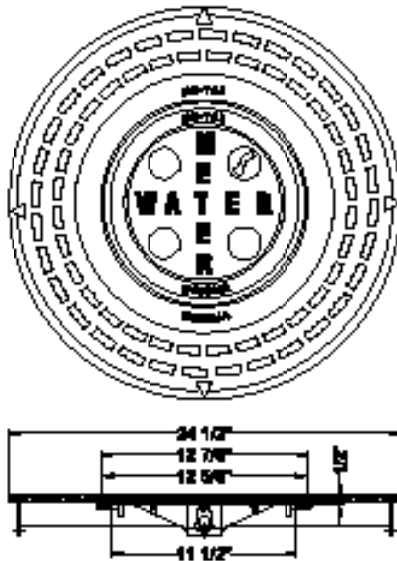


Municipal

Meter Boxes/Frames & Covers

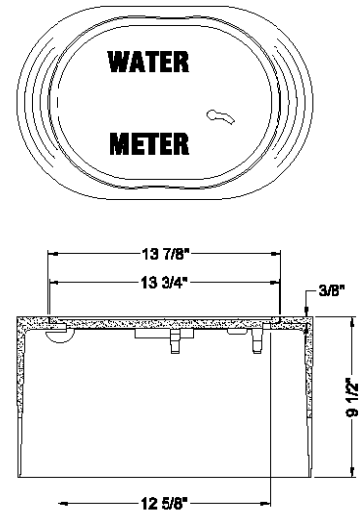
C
A
S
T
I
N
G
S

MB164



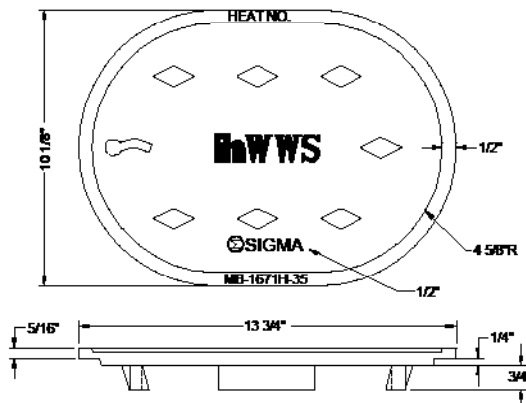
Weight: 74 lbs

MB166



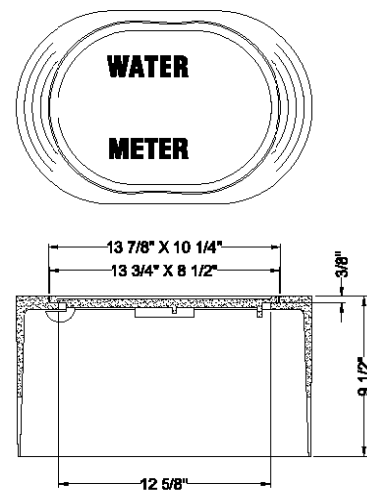
Weight: 50 lbs

MB1671H-35 (City of Harlingen)



Weight: 13 lbs

MB167



Weight: 50 lbs

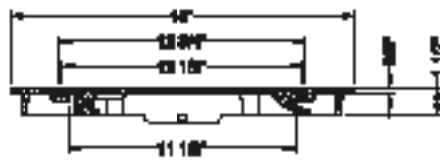


Municipal

Meter Boxes/Frames & Covers

C
A
S
T
I
N
G
S

MB172
(Austin, TX)



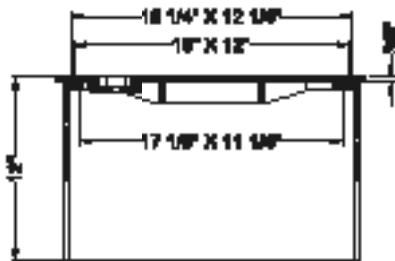
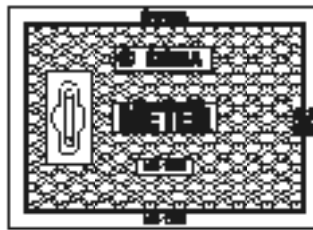
Weight: 34 lbs

MB174
(Austin, TX)



Weight: 78 lbs

MB1781



Weight: 95 lbs

MB1782



Weight: 125 lbs

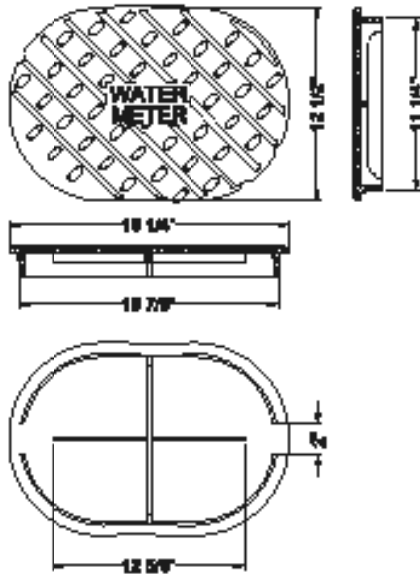


Municipal

Meter Boxes/Frames & Covers

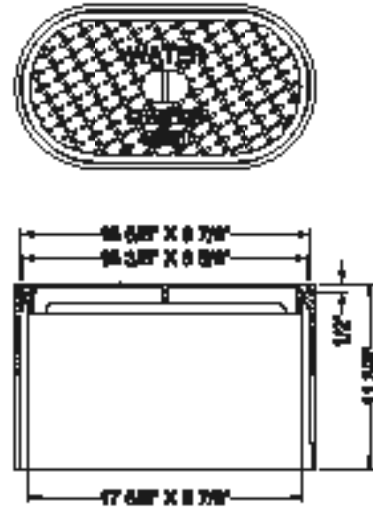
C
A
S
T
I
N
G
S

MB2801



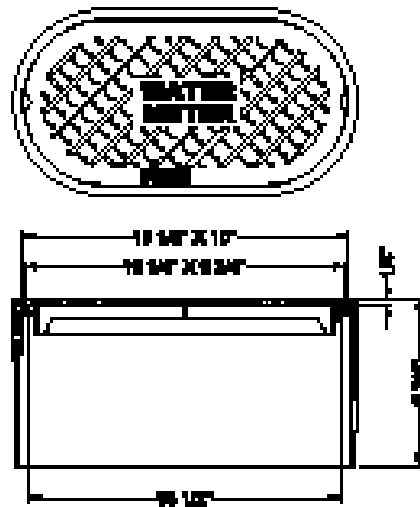
Weight: 22 lbs

MB281



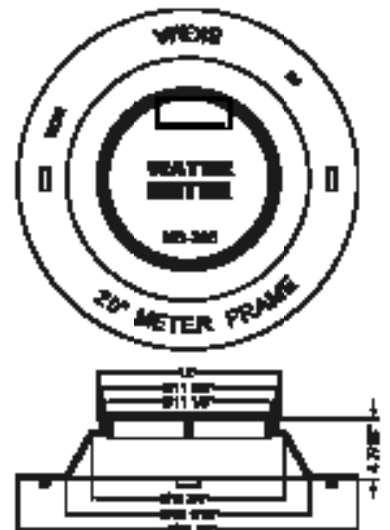
Weight: 58 lbs

MB282



Weight: 44 lbs

MB285

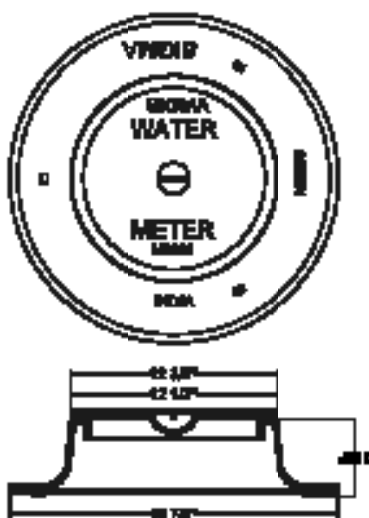


Weight: 39 lbs

Meter Boxes/Frames & Covers

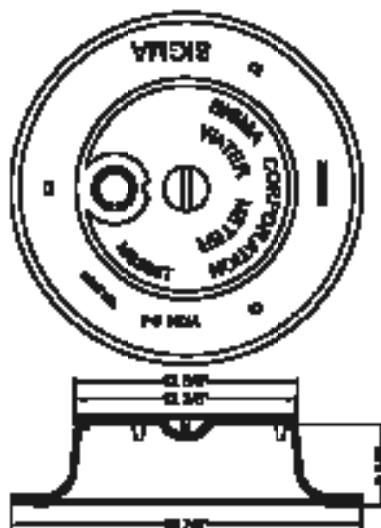
Municipal

MB286



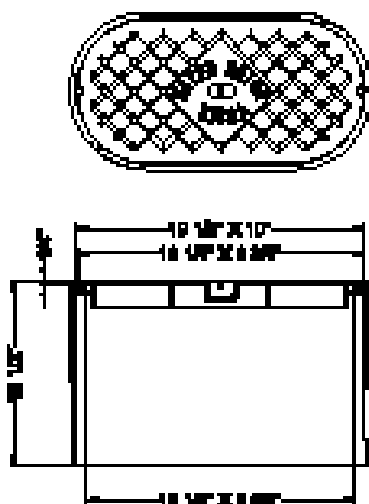
MB286S is marked "SEWER"
Weight: 35 lbs

MB286T



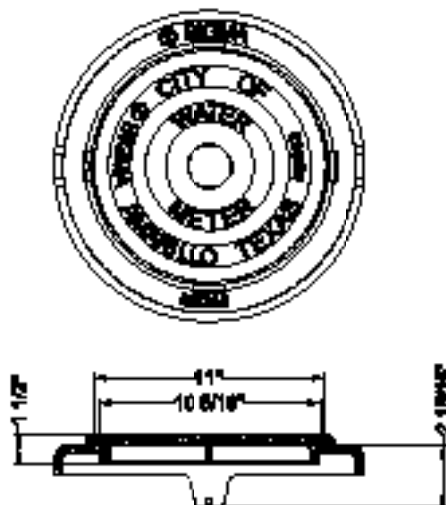
Weight: 35 lbs

MB382



Weight: 55 lbs

MB385
(Amarillo, TX)



Weight: 34 lbs

C
A
S
T
I
N
G
S

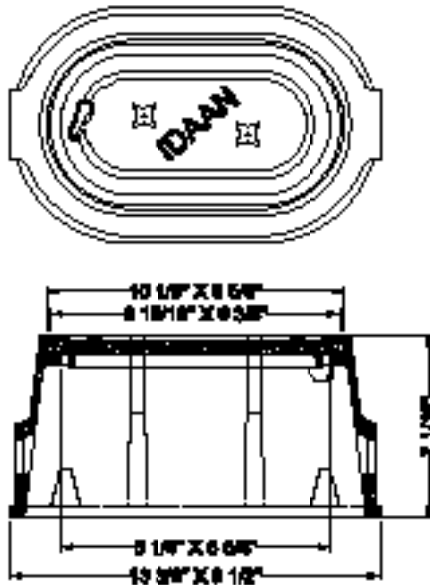


Municipal

Meter Boxes/Frames & Covers

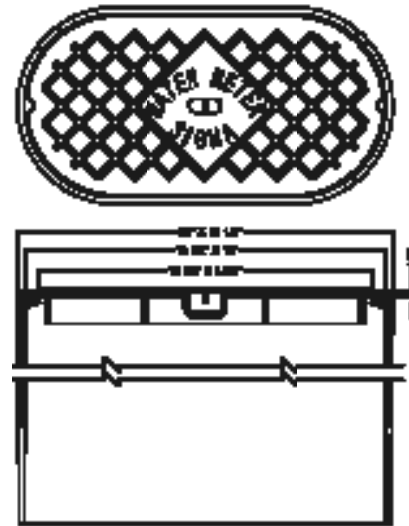
C
A
S
T
I
N
G
S

MB387



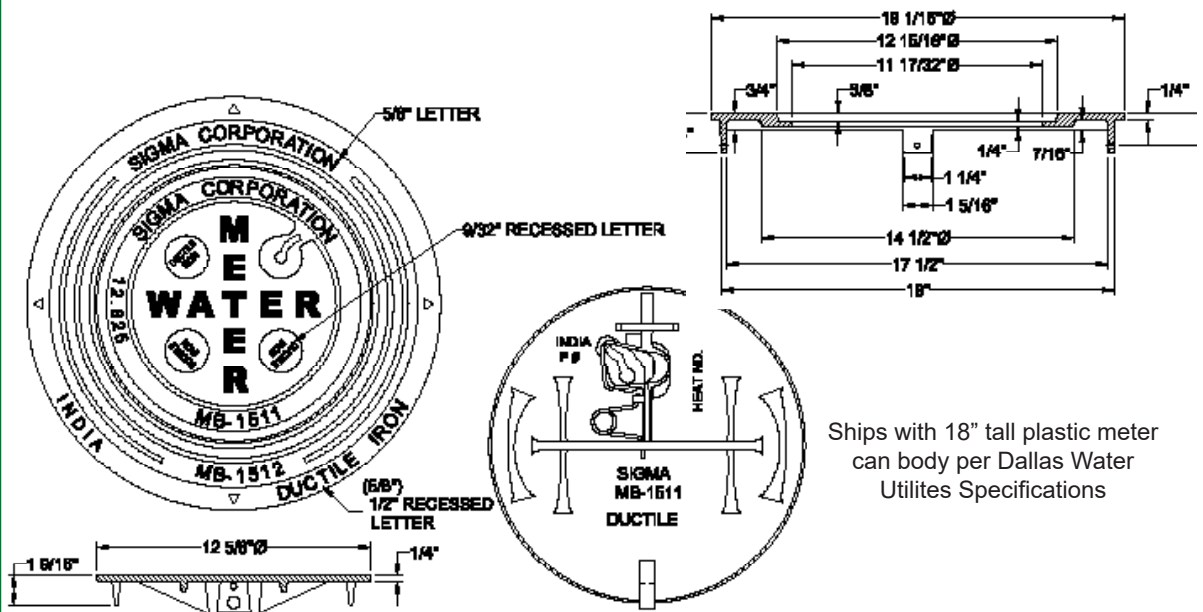
Weight: 21 lbs

MB388



Weight: 88 lbs

MB51B (Dallas, TX)



Weight: 54 lbs

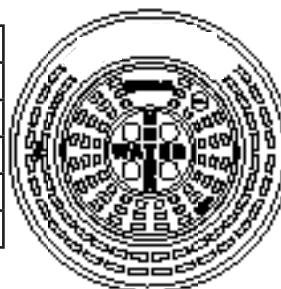
Meter Boxes/Frames & Covers Municipal

MB61



Item #	H	Wt.
MB61A	14	40
MB61B	18	43
MB61C	24	47
MB61D	30	51
MB61E	36	56

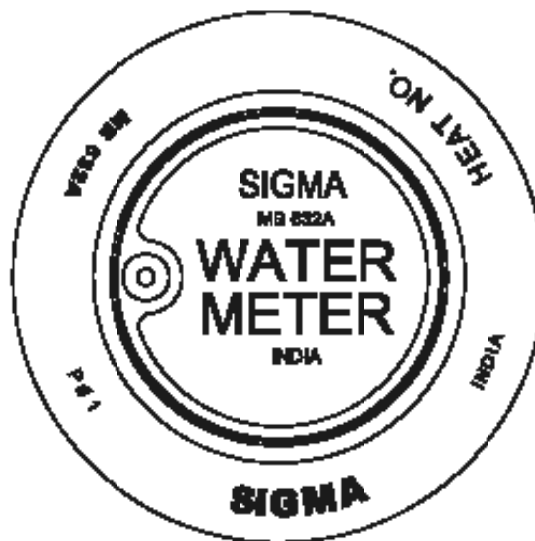
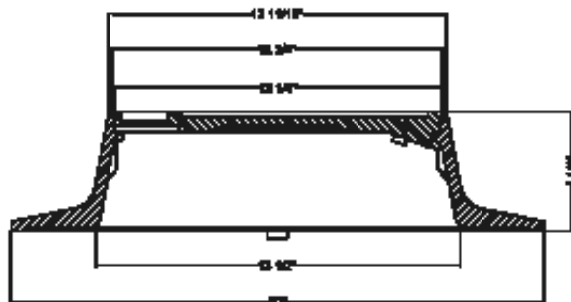
MB62



Item #	H	Wt.
MB62A	14	120
MB62B	18	125
MB62C	24	130
MB62D	30	135
MB62E	36	140



MB632A



Weight: 47 lbs

C
A
S
T
I
N
G
S

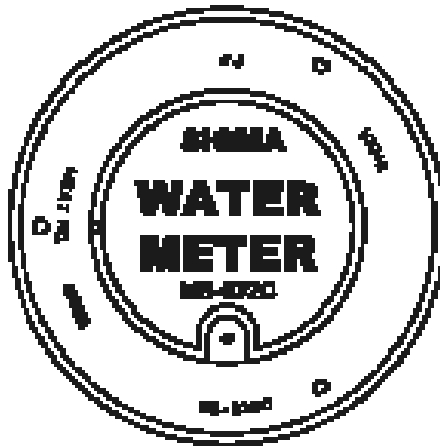


Municipal

Meter Boxes/Frames & Covers

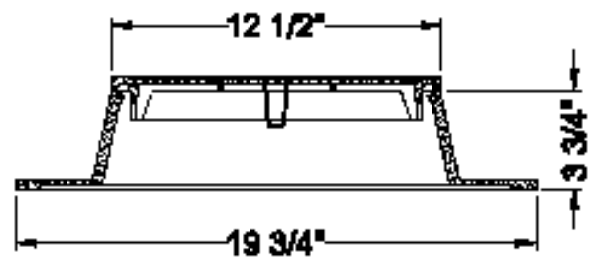
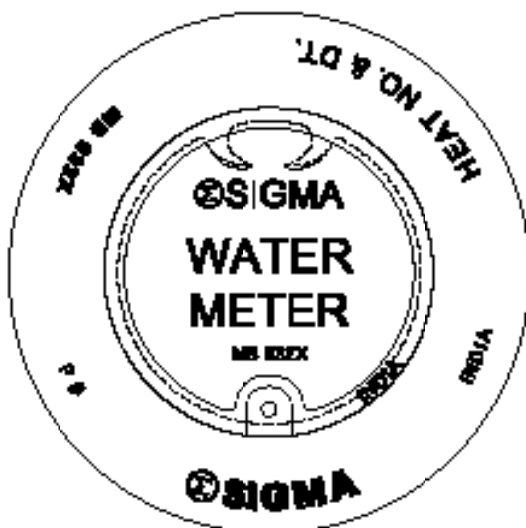
C
A
S
T
I
N
G
S

MB632C



Weight: 30 lbs

MB632X



Weight: 37 lbs

Meter Boxes/Frames & Covers

Municipal

MB63



Item #	H	Wt.
MB63A	14	68
MB63B	18	70
MB63C	24	75
MB63D	30	80
MB63E	36	85

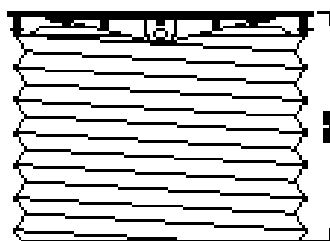
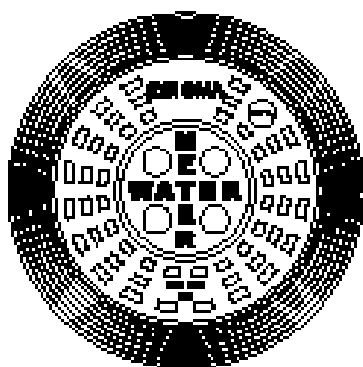
MB64



Item #	H	Wt.
MB64A	14	75
MB64B	18	80
MB64C	24	85
MB64D	30	90
MB64E	36	95



MB65



Item #	H	Wt.
MB65C	24	200
MB65D	30	205
MB65E	36	210
MB65F	48	215
MB65G	60	250
MB65H	72	285



C
A
S
T
I
N
G
S

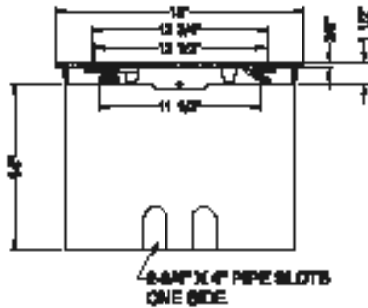


Municipal

Meter Boxes/Frames & Covers

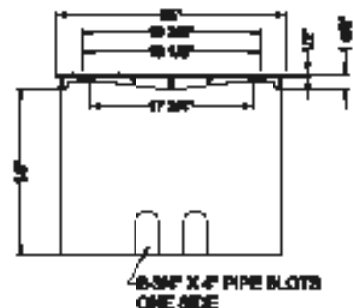
C
A
S
T
I
N
G
S

MB72P
(Austin, TX)



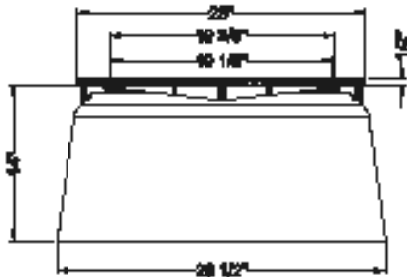
Weight: 38 lbs

MB74P
(Austin, TX)



Weight: 96 lbs

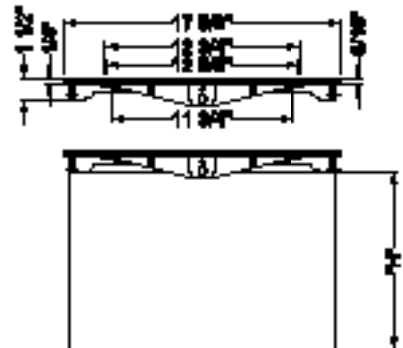
MB75P
(Austin, TX)



Weight: 100 lbs

MBP61

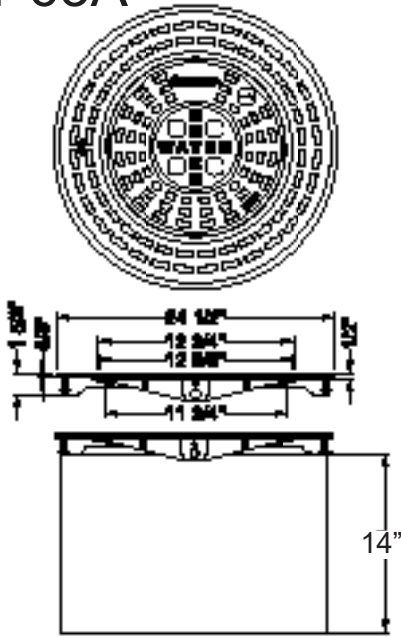
Item #	H	Wt.
MBP61A	14	40
MBP61B	18	43
MBP61C	24	47
MBP61D	30	51



Meter Boxes/Frames & Covers

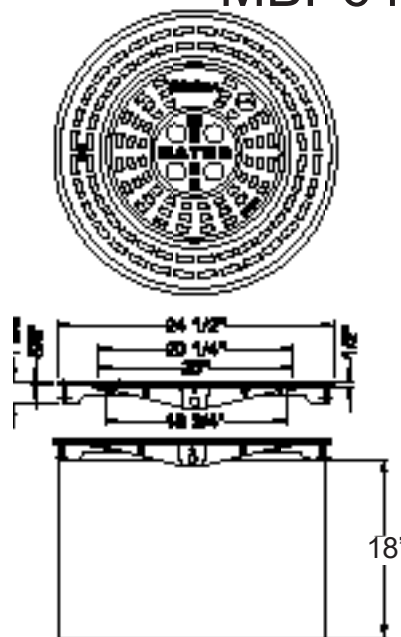
Municipal

MBP63A



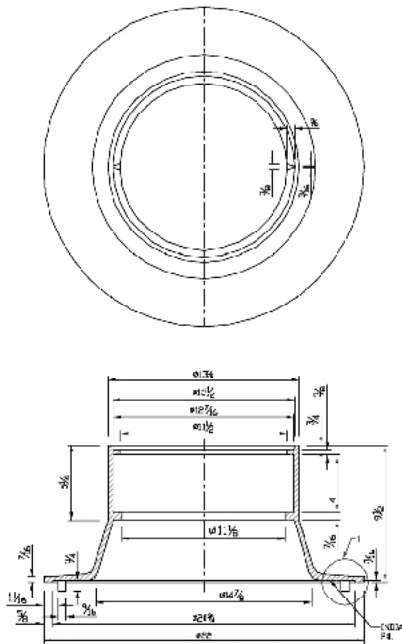
Weight: 87 lbs

MBP64B



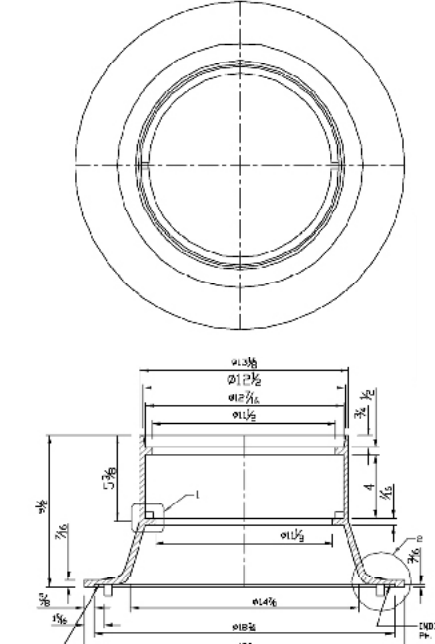
Weight: 100 lbs

MBSW3



Weight: 67 lbs

MBSW32



Weight: 62 lbs

**C
A
S
T
I
N
G
S**

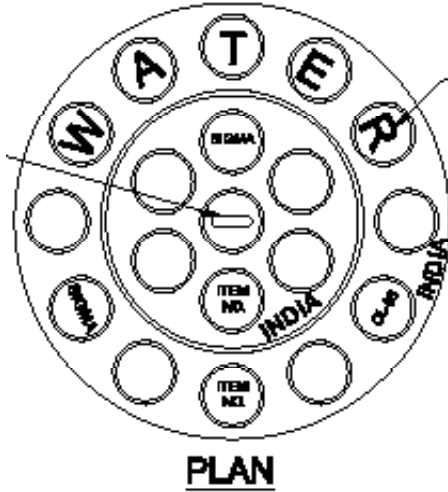


Municipal

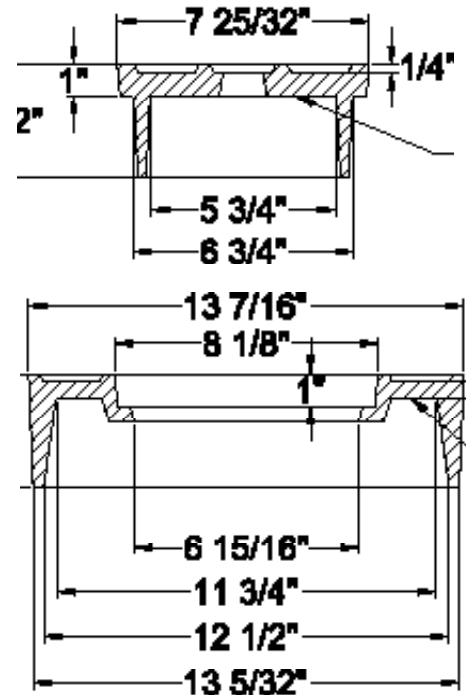
Meter Boxes/Frames & Covers

C
A
S
T
I
N
G
S

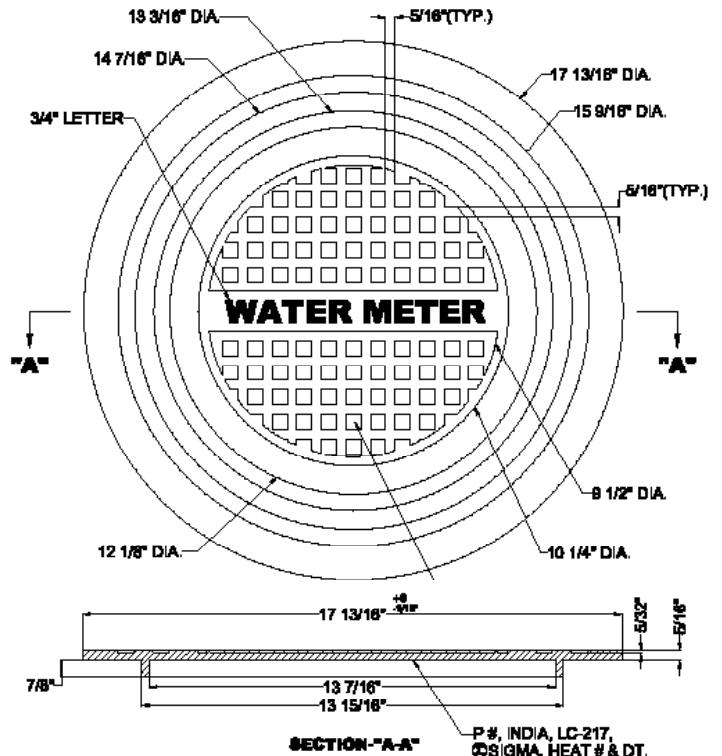
MB288-35



Weight: 50 lbs



LC217

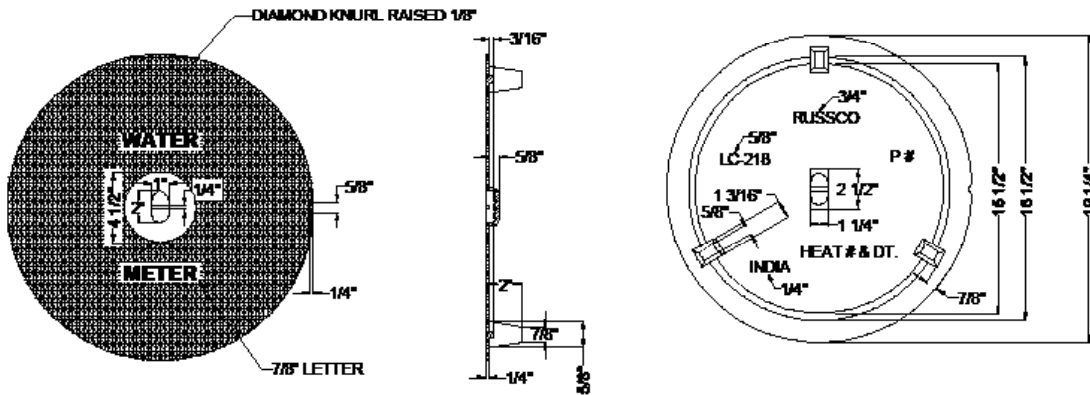


Weight: 16 lbs

Meter Boxes/Frames & Covers

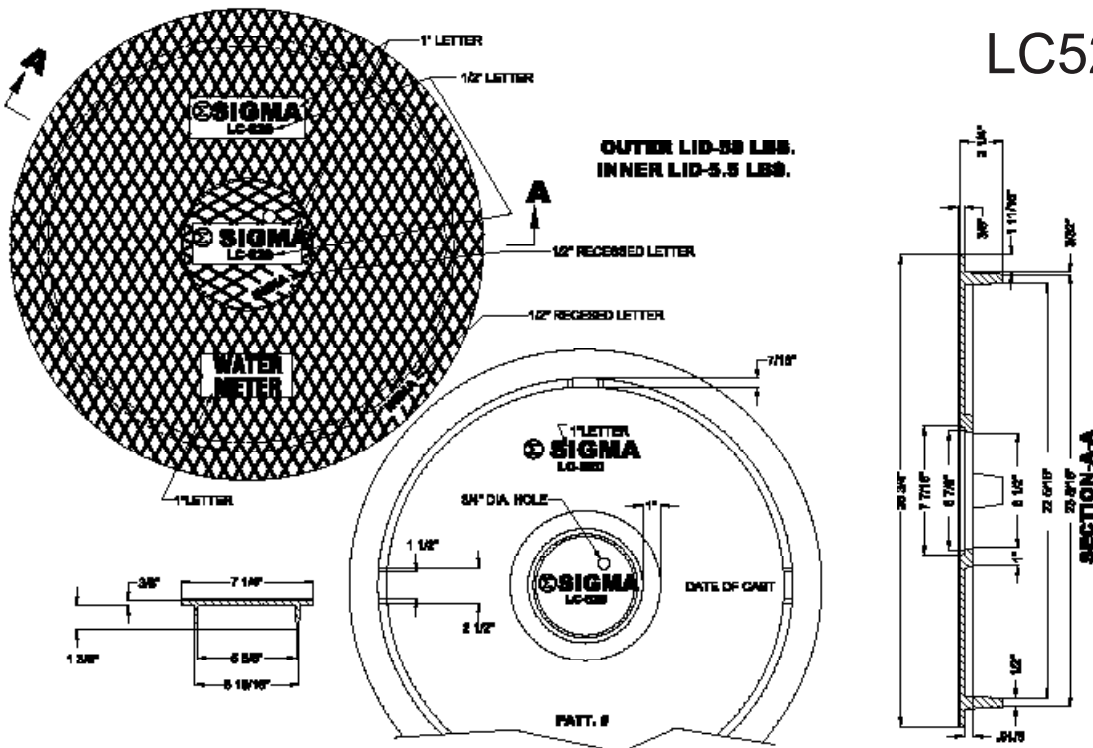
Municipal

LC218



Weight: 23 lbs

LC520



Weight: 64 lbs

C
A
S
T
I
N
G

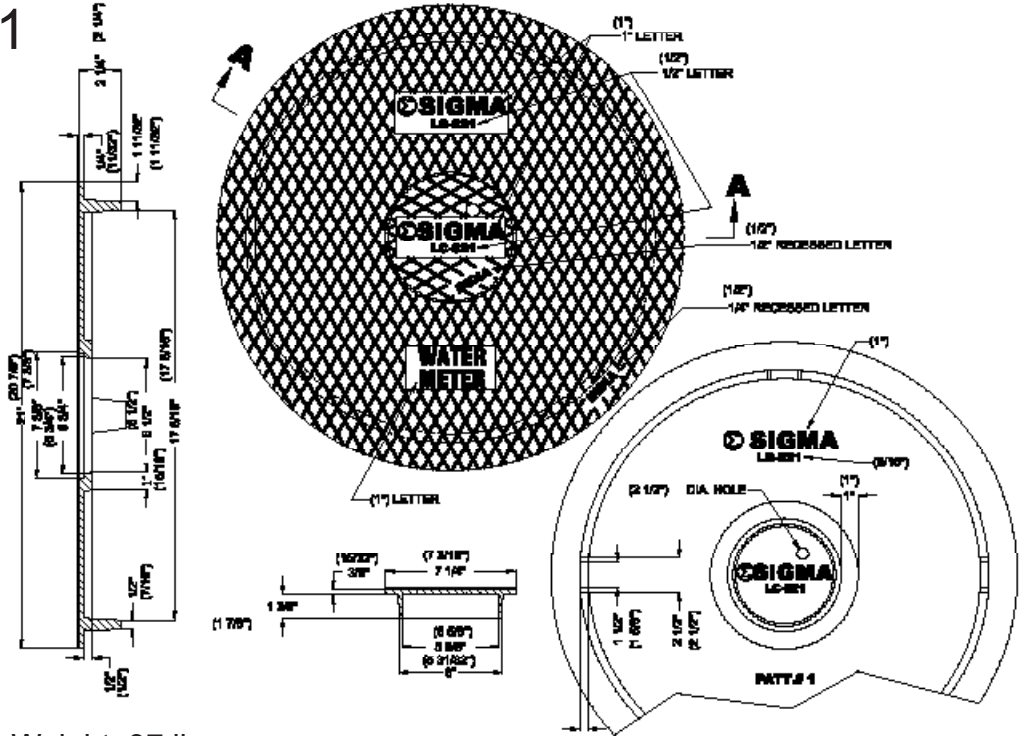


Municipal

Meter Boxes/Frames & Covers

C
A
S
T
I
N
G
S

LC521



Weight: 37 lbs