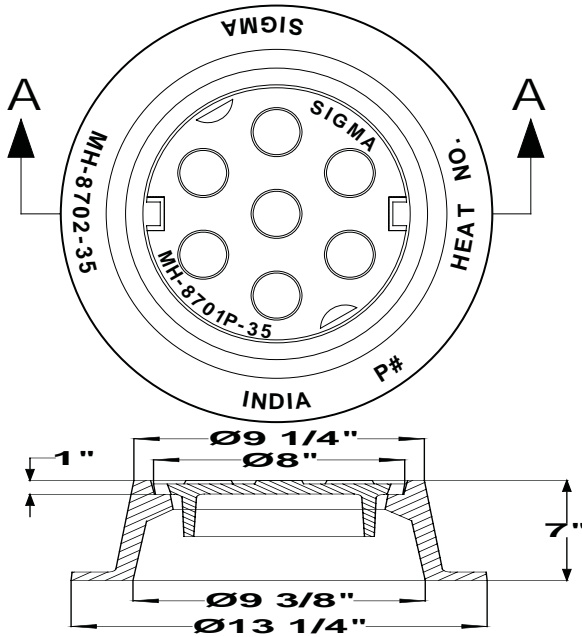




# Lamp Holes, Cleanouts, Monument Boxes

Municipal Construction

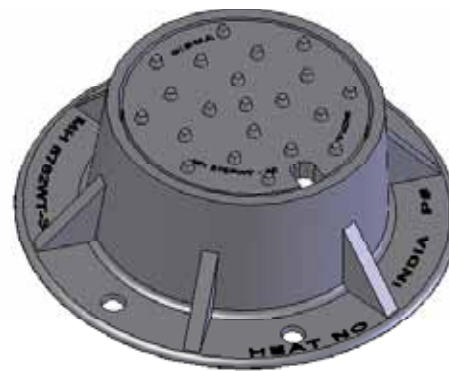
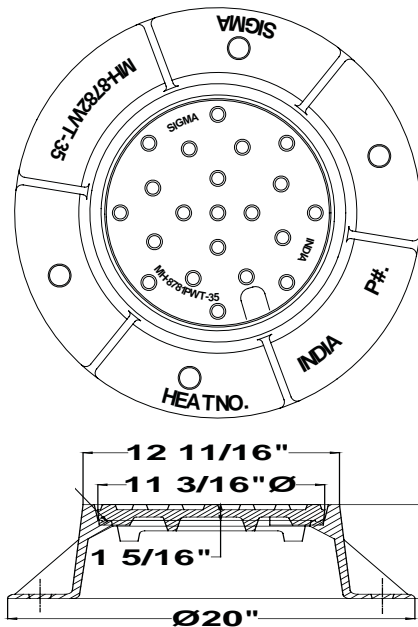
## MH-870P



Shipping Weight: 61 lbs.

Cast Iron ASTM A48 / Class 30B

## MH-878-PWT-35



Shipping Weight: 90 lbs.

Cast Iron ASTM A48 / Class 35B

C  
A  
S  
T  
I  
N  
G