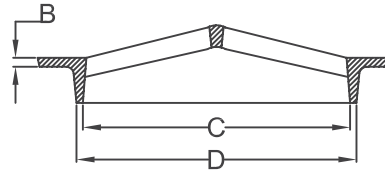
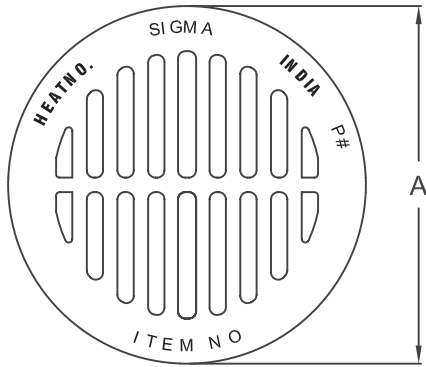


# Pipe and Ditch Grates

Municipal  
Construction

C  
A  
S  
T  
I  
R  
O  
N  
G  
R  
A  
T  
I  
N  
G  
S

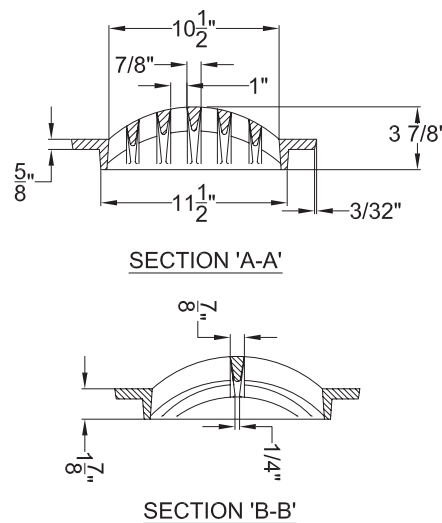
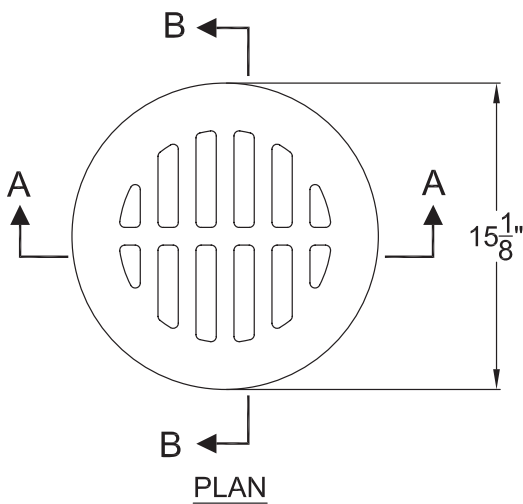
## FG-8110



Cast Iron ASTM A48 / Class 35B

NOM SIZE	A	B	C	D	WEIGHT	SIGMA #
4	5 3/8"	9/32"	3 3/8"	3 3/4"	2 LBS	FG-8114-35
6	7 1/4"	9/32"	5 1/4"	5 3/4"	4 LBS	FG-8116-35
8	10"	9/32"	7 3/8"	7 3/4"	9 LBS	FG-8118-35
10	12 3/8"	5/16"	9 1/4"	9 11/16"	14 LBS	FG-8110-35
12	13"	5/16"	10 3/4"	11 3/8"	13 LBS	FG-8112-35

## FG-8112-BG-35



Cast Iron ASTM A48 / Class 35B  
Shipping Weight: 32 lbs.

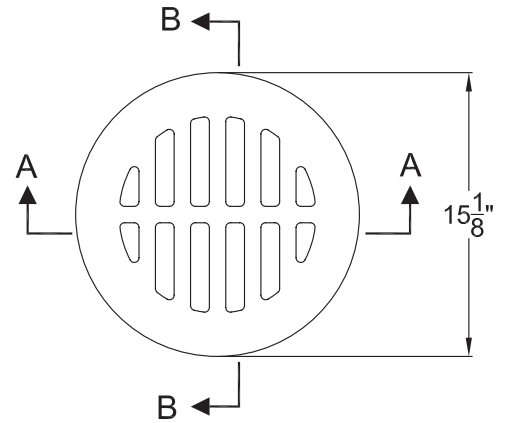
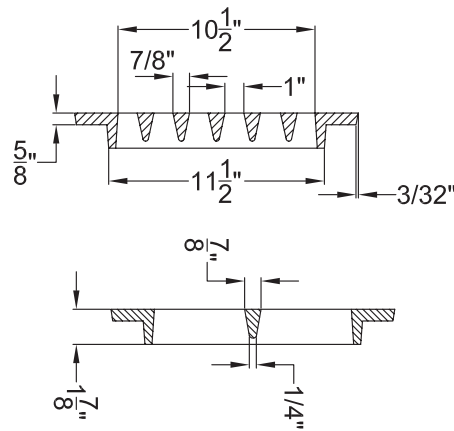


Municipal  
Construction

# Pipe and Ditch Grates

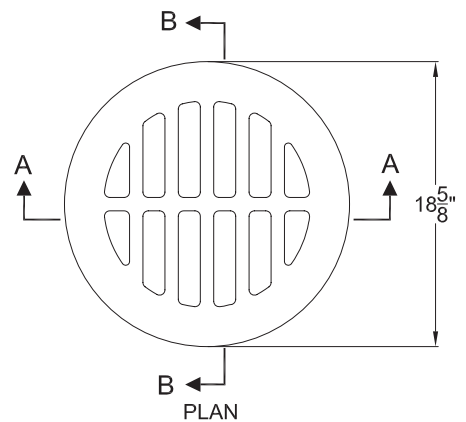
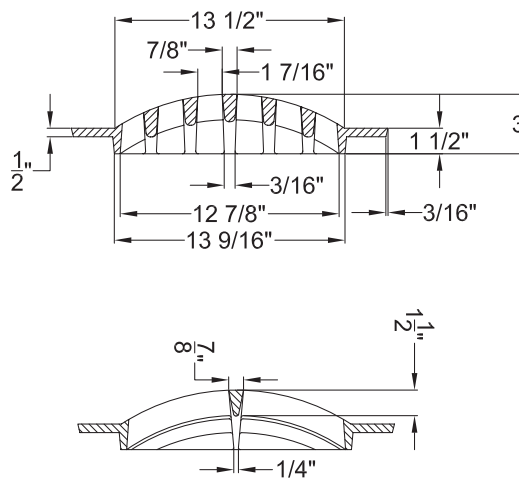
C  
A  
S  
T  
I  
R  
O  
N  
S  
G  
R  
A  
T  
E  
S

## FG-8112-FG-35



Cast Iron ASTM A48 / Class 35B  
Shipping Weight: 32 lbs.

## FG-8115-BG-35



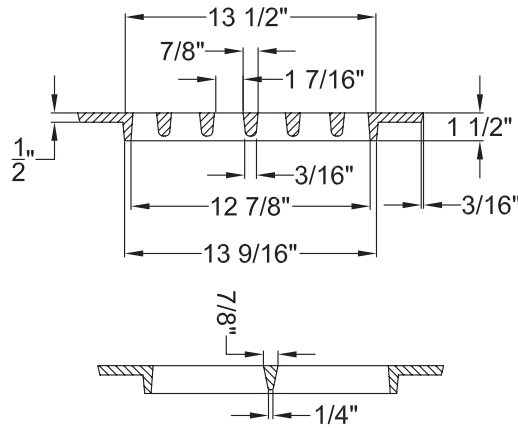
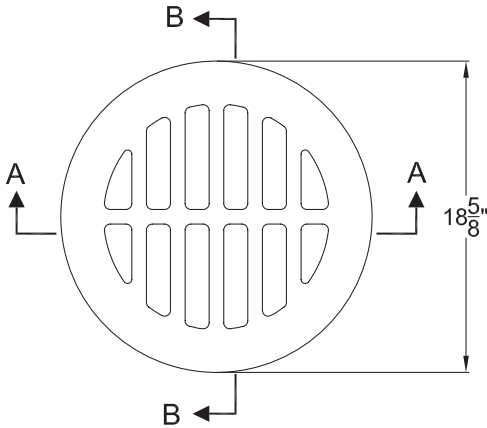
Cast Iron ASTM A48 / Class 35B  
Shipping Weight: 38 lbs.

# Pipe and Ditch Grates

Municipal  
Construction

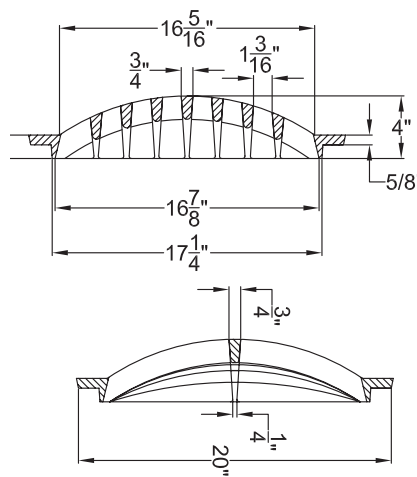
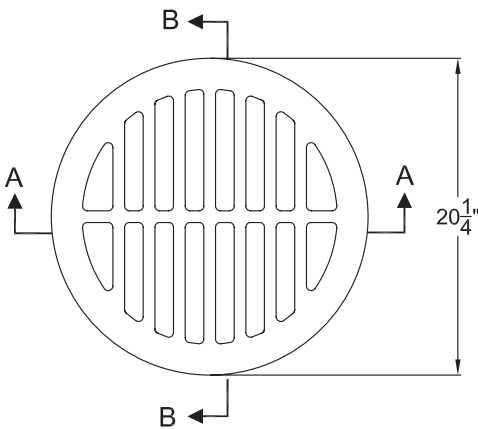
C  
A  
S  
T  
I  
N  
G  
S

## FG-8115-FG-35



Cast Iron ASTM A48 / Class 35B  
Shipping Weight: 38 lbs.

## FG-8118-BG-35



Cast Iron ASTM A48 / Class 35B  
Shipping Weight: 47 lbs.

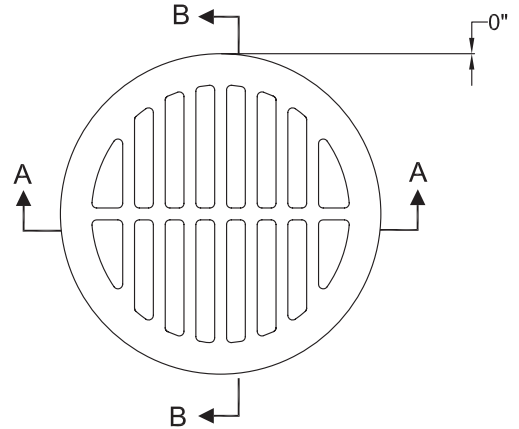
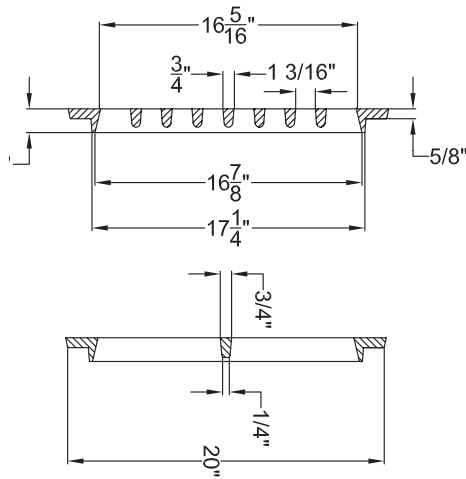


Municipal  
Construction

# Pipe and Ditch Grates

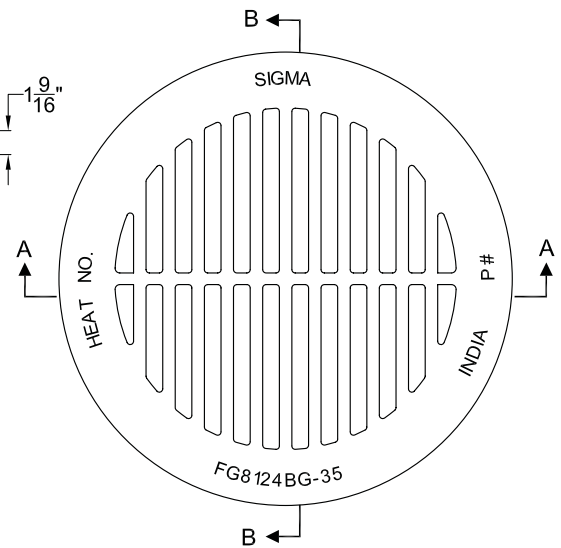
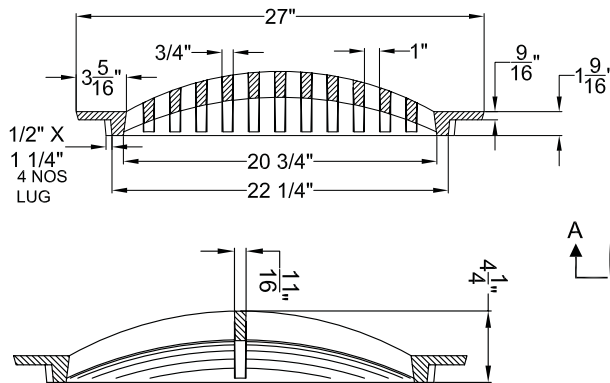
C  
A  
S  
T  
I  
R  
O  
N  
S  
I  
G  
N  
S

## FG-8118-FG-35



Cast Iron ASTM A48 / Class 35B  
Shipping Weight: 47 lbs.

## FG-8124-BG-35



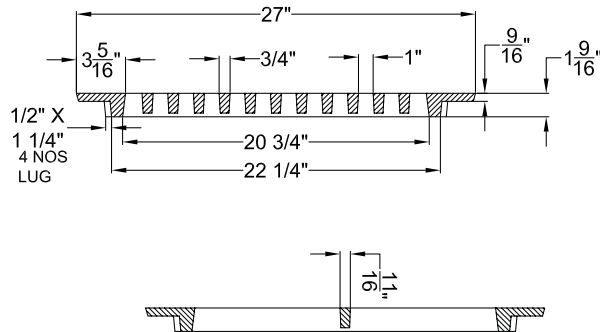
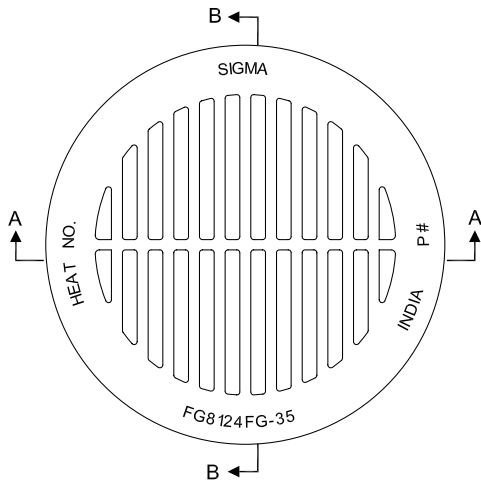
Cast Iron ASTM A48 / Class 35B  
Shipping Weight: 140 lbs.

# Pipe and Ditch Grates

Municipal  
Construction

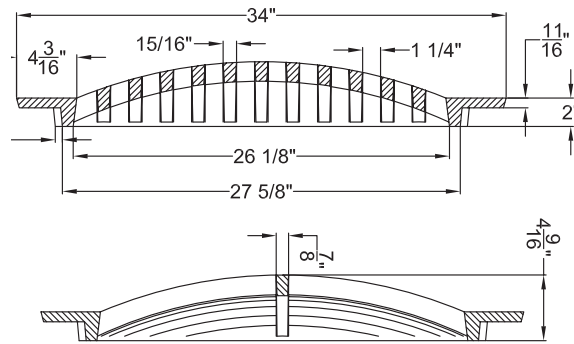
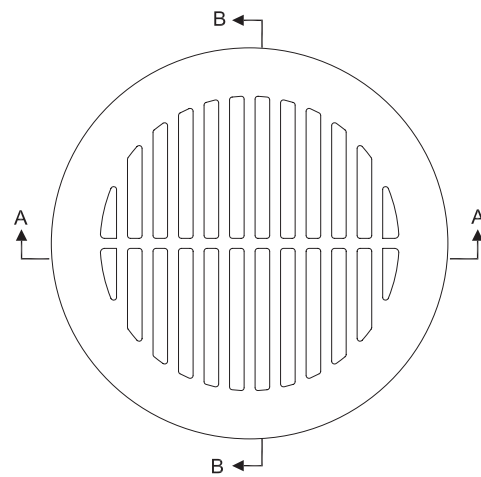
C  
A  
S  
T  
I  
R  
N  
G  
S

## FG-8124-FG-35



Cast Iron ASTM A48 / Class 35B  
Shipping Weight: 140 lbs.

## FG-8130BG-35



Cast Iron ASTM A48 / Class 35B  
Shipping Weight: 181 lbs.

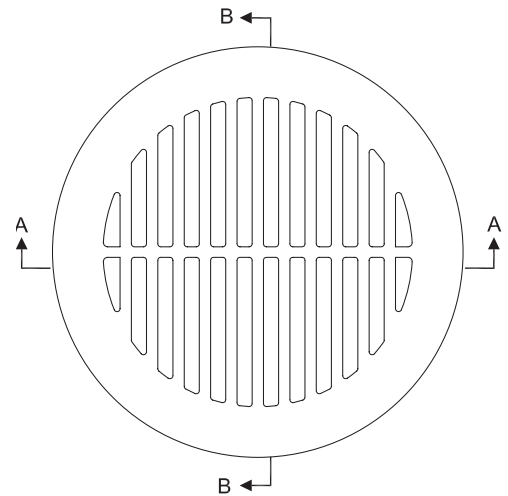
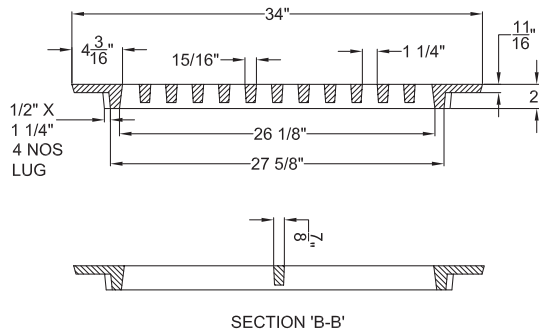


Municipal  
Construction

# Pipe and Ditch Grates

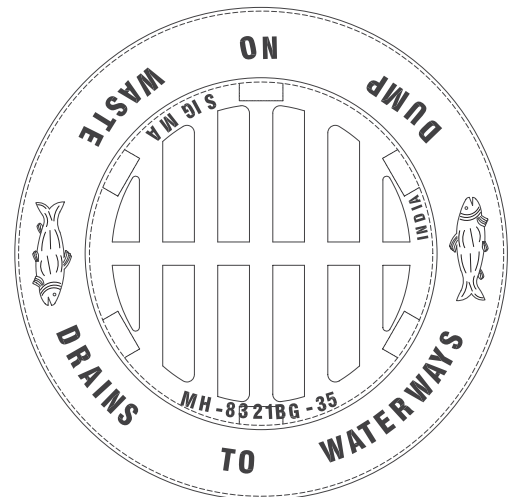
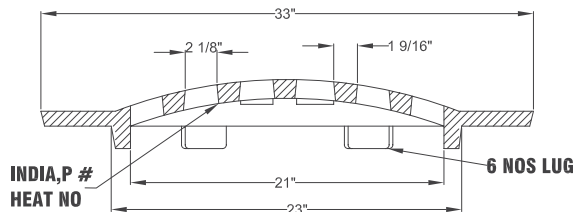
C  
A  
S  
T  
I  
R  
O  
N  
S  
I  
G  
N  
S

## FG-8130-FG-35



Cast Iron ASTM A48 / Class 35B  
Shipping Weight: 181 lbs.

## MH-8321BG-35

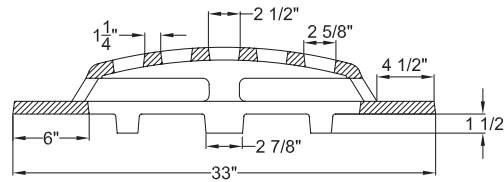
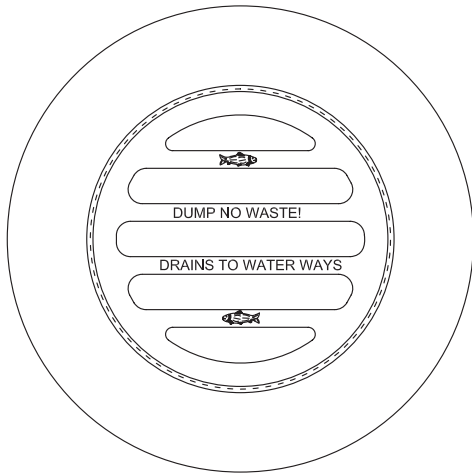


Cast Iron ASTM A48 / Class 35B  
Shipping Weight: 136 lbs.

# Pipe and Ditch Grates

Municipal  
Construction

FG-8342-35



Cast Iron ASTM A48 / Class 35B  
Shipping Weight: 197 lbs.

C  
A  
S  
T  
I  
R  
O  
N  
S  
I  
G  
M  
A